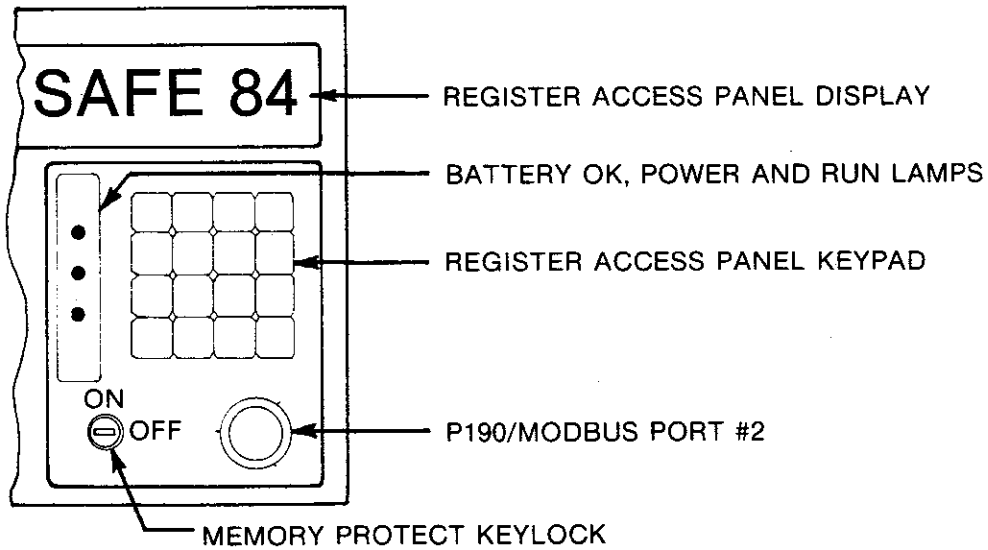
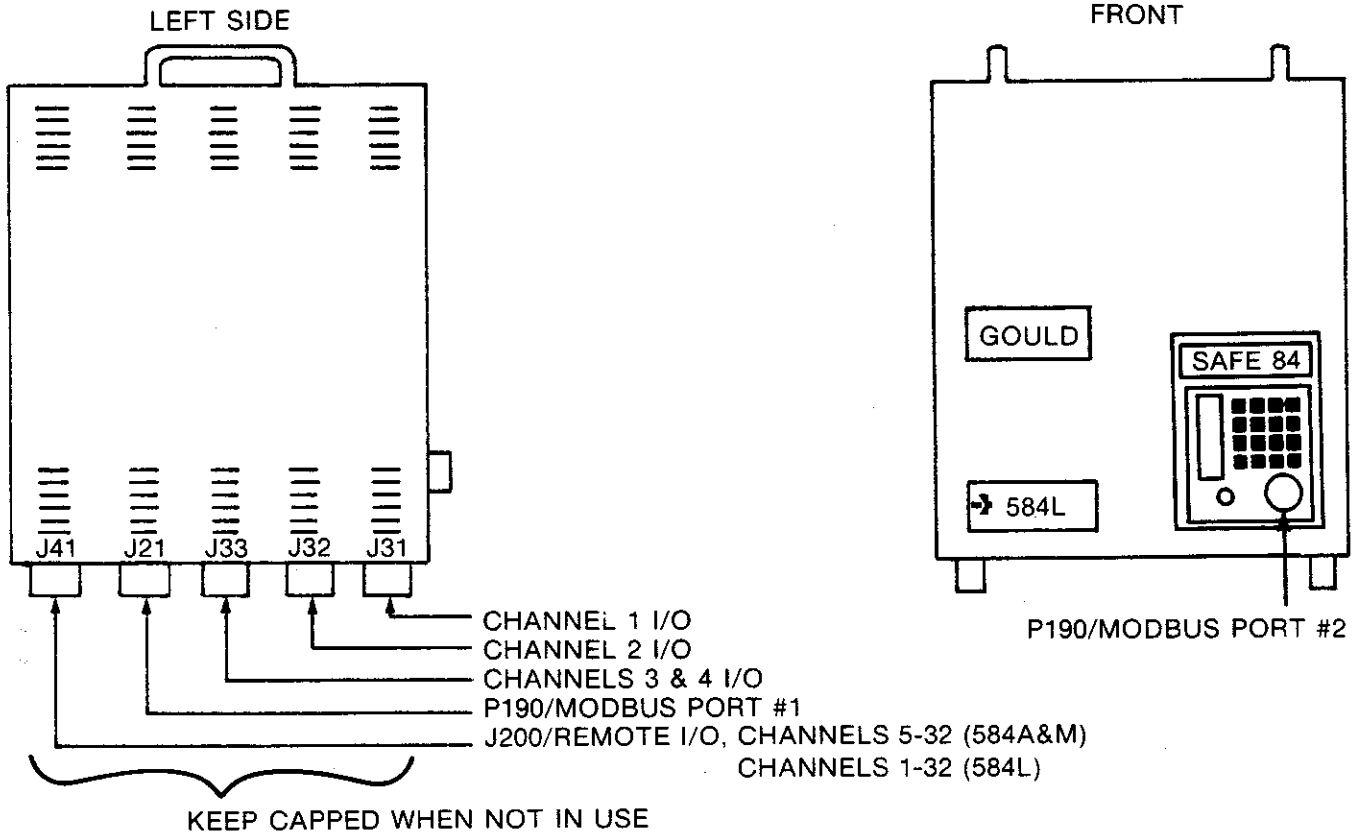


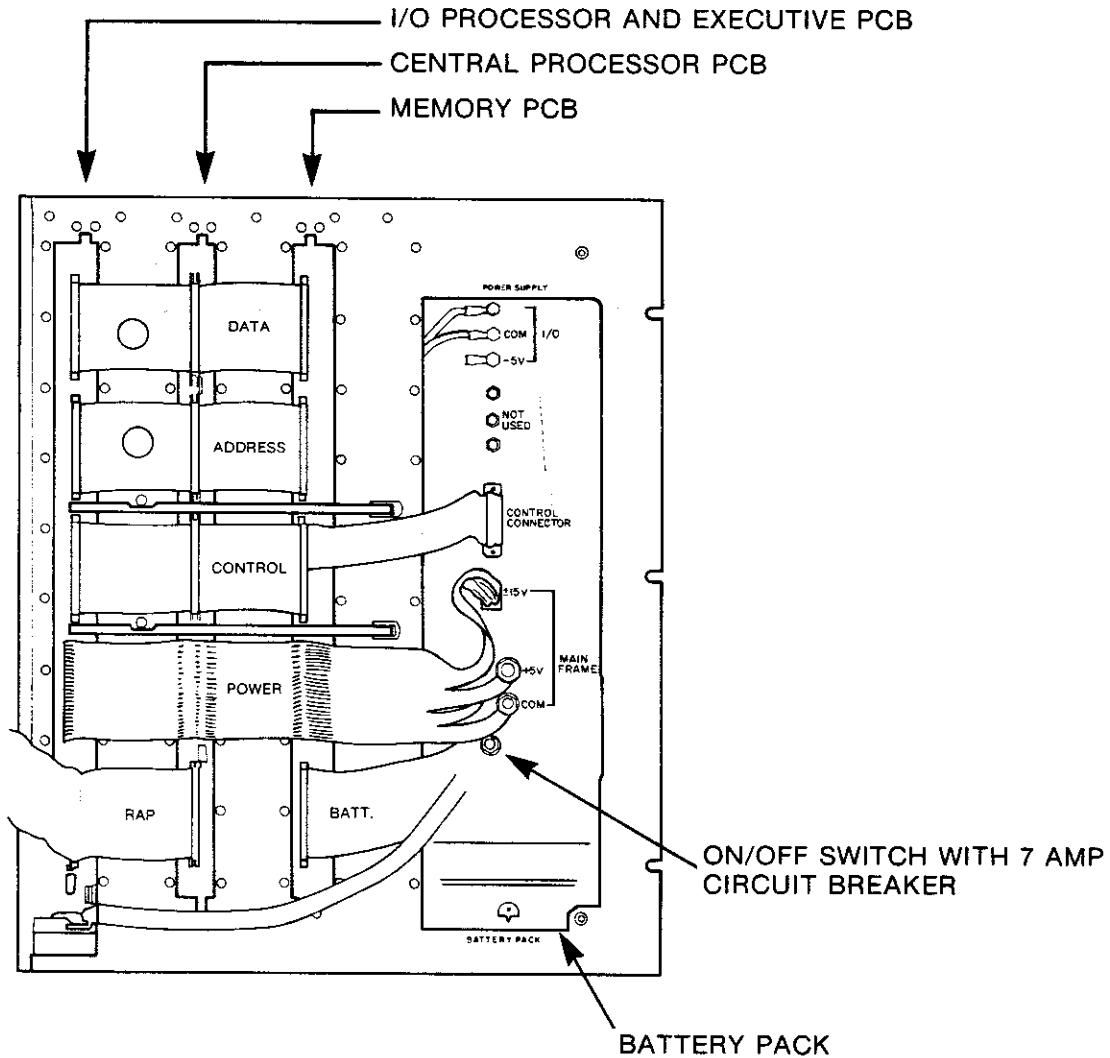
EXTERNAL FEATURES



CAUTION:

DO NOT DISCONNECT I/O CABLING WHEN THE 584 IS POWERED UP.

INTERNAL CONFIGURATION AND BATTERY PACK



Power Requirements

- 115 VAC/220 VAC jumper selectable, 47-62 Hz
- $\pm 15\%$ continuous
- $\pm 30\%$ for 10 seconds
- $\pm 100\%$ for cycle (17 msec)
- 1000 volt line spike for .5 msec

BATTERY BACKUP

Lithium batteries will support:

- the largest memory (32K),
- in the worst case environment,
- with the worst case memory bit pattern,

for at least *nine months without power*.

When the battery ok light goes out the batteries have sufficient life remaining to power the CMOS memory for 30 days.

Battery status is available for programmed use in bit 12 of the 1st word used by the 'Get Status' block.

Shelf life of the battery is five years.

Alkaline batteries may be used in place of lithium batteries. They have a 2 year shelf life and will support memory without power for about 30 days.

See page 22-23 for battery replacement procedure.


Nominal voltage for a 3 V lithium battery = 3.2 V. Battery ok light is extinguished if the charge on any battery goes below 2.6 V.

NOTE: A 584M memory board, AS-M507-OXX, (functionally identical to the M506 board, but limited to 16K of user memory) has a lithium battery mounted on the P.C. board.

SERIAL & MODEL NUMBERS

Serial Numbers

Serial numbers can be found on a plate on top of the controller.

GOULD		
MODEL	AS-584A-040	
SERIAL	1362	115 VAC
AMPS		60 Hz
BAUD		

584 Functional Capabilities

Basic controller includes mainframe, power supply (115 VAC, 47-63 Hz), memory register access panel, programmer and computer interfaces (2 modbus ports), real time clock, and relay, counter, timer, and arithmetic operations.

Model	Level	Discretes	Registers	Memory	DX	# Bits	Words/ Element	Max Preset
584A	1	2048	1920	4-32K	No	16	1	999
	3	2048	1920		Yes	16	1	999
	4	8192	9999		Yes	24	1.5	9999
*584M	1	2048	1920	4-16K	No	16	1	999
	2	2048	1920		Yes	16	1	999
**584L	1	2048	1920	12-32K extended to 128K	Yes	16	1	999
	2	8192	9999		Yes	24	1.5	9999

*584M = 3 card chassis, no redundancy

**584L = 4 card chassis, redundancy optional, superscan, 32 remote channels

584 Revision Levels

There are a number of PROMS (Programmable Read Only Memory) on the IOP board. These PROMS contain the operating system or "executive" for the 584 and are periodically updated as new capabilities are added.

To determine the revision level of your 584, reference 349168 on the rap.

44 = Rev H (redundancy)

42 = Rev G (ASCII)

Memory Size

To determine memory size, reference 300099 on the rap.

1 = 4K

2 = 8K

3 = 12K

4 = 16K

6 = 24K

8 = 32K

584A

AS-584A-XXX

CONTENTS

- 0 = 3 CARD CHASSIS
- 1 = 4 CARD CHASSIS
W/O REDUNDANCY
BOARD
- 2 = 4 CARD CHASSIS
W/REDUNDANCY
BOARD

MEMORY SIZE

- 1 = 4K
- 2 = 8K
- 3 = 12K
- 4 = 16K
- 5 = 32K

FUNCTION LEVEL

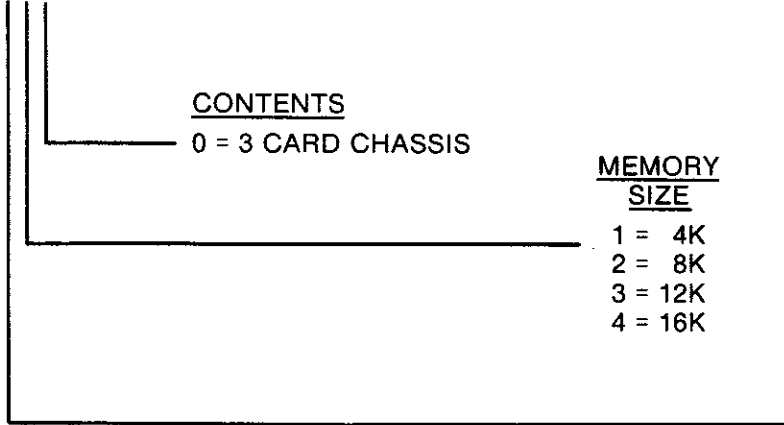
- 1 = LEVEL 1 (16 BIT W/O DX)
- 3 = LEVEL 3 (16 BIT W/DX)
- 4 = LEVEL 4 (24 BIT W/DX)

AVAILABLE MODEL NUMBERS

110	310	410	111	311	411	312	412
120	320	420	121	321	421	322	422
130	330	430	131	331	431	332	432
140	340	440	141	341	441	342	442
150	350	450	151	351	451	352	452

584M

AS-584M-XXX



CONTENTS

0 = 3 CARD CHASSIS

MEMORY
SIZE

- 1 = 4K
- 2 = 8K
- 3 = 12K
- 4 = 16K

FUNCTION
LEVEL

- 1 = LEVEL 1 (16 BIT W/O DX)
- 2 = LEVEL 2 (16 BIT W/DX)

AVAILABLE MODEL NUMBERS

110	210
120	220
130	230
140	240

584L

AS-584L-
XXX

CONTENTS

- 1 = 4 CARD CHASSIS
W/O REDUNDANCY
BOARD
- 2 = 4 CARD CHASSIS
W/REDUNDANCY
BOARD

MEMORY
SIZE

- 1 = 12K MEMORY
- 2 = 16K BOARDS ALL
- 3 = 32K M506'S

FUNCTION
LEVEL

- 1 = LEVEL 1 (16 BIT W/DX)
- 2 = LEVEL 2 (24 BIT W/DX)

AVAILABLE MODEL NUMBERS

111	211	112	212
121	221	122	222
131	231	132	232

584L (XMEM)

AS-584L-
XXX

CONTENTS

- 1 = 4 CARD CHASSIS
W/O REDUNDANCY
BOARD
- 2 = 4 CARD CHASSIS
W/REDUNDANCY
BOARD

MEMORY SIZE

- 1 = 12K
- 2 = 16K
- 3 = 32K MEMORY
- 4 = 48K BOARDS ALL
- 5 = 64K M509'S
- 6 = 96K
- 7 = 128K

FUNCTION LEVEL

- 1 = LEVEL 1
(16 BIT W/DX, W/XMEM)
- 2 = LEVEL 2
(24 BIT W/DX, W/XMEM)

AVAILABLE MODEL NUMBERS

111	211	112	212
121	221	122	222
131	231	132	232
141	241	142	242
151	251	152	252
161	261	162	262
171	271	172	272

P.C. BOARD/MODEL NUMBER CHART

Key to Controller Charts

584A, 584M, 584L, J211

- = Contents of controller as shipped.
- I = New IOP boards which will replace previous boards used in the 584A, 584M, 584L, and J211.
- X = These IOP assemblies will replace -010, -011, and -012 when new AS-C521-100 P.C.B. is introduced.

584L

- M = New memory M509 boards which will replace previous M506 boards used in 584L controller.

584A

- M = Compatible memory board which can be used in place of present M506 (up to 32K).

J211

- M = Compatible memory board which can be used in place of present M506 (12K only).
- C = Compatible CPU board which can be used in place of present board.

- NOTE:
1. Whenever XMEM AS-521P-010 or AS-521P-011 IOP's are used as substitute boards, the new extended memory tapes must be used.
 2. On the 584A or 584L (non-XMEM) controllers, one board substitution only is allowable. Either M509 XMEM memory board or 521P XMEM IOP board. Substitution of both may alter functionality and/or cause controller failure. The same holds true for the J211 unit, only one board substitution is allowable (IOP, CPU, or memory).

584A CONTROLLER OLD TO NEW PART NUMBER CONVERSION CHART

Assembly	Part # Old	Level	Mem. Size	Part # New	4 Card Chassis	Options	Future Options	Comments
AS584A	-001	1	4K	-110	-111		-113	Redundancy N/A
AS584A	-002	1	8K	-120	-121		-123	Redundancy N/A
AS584A	-003	1	12K	-130	-131		-133	Redundancy N/A
AS584A	-004	1	16K	-140	-141		-143	Redundancy N/A
AS584A	-005	1	24K					No longer sold
AS584A	-006	1	32K	-150	-151		-153	Redundancy N/A
AS584A	-007	2	4K					No longer sold
AS584A	-008	2	8K					No longer sold
AS584A	-009	2	12K					No longer sold
AS584A	-010	2	16K					No longer sold
AS584A	-011	2	24K					No longer sold
AS584A	-012	2	32K					No longer sold
AS584A	-031	3	4K	-310	-311	312	-313	No longer sold
AS584A	-032	3	8K	-320	-321	322	-323	
AS584A	-033	3	12K	-330	-331	332	-333	
AS584A	-034	3	16K	-340	-341	342	-343	
AS584A	-035	3	24K					
AS584A	-036	3	32K	-350	-351	352	-353	
AS584A	-037	4	4K	-410	-411	412	-413	No longer sold
AS584A	-038	4	8K	-420	-421	422	-423	
AS584A	-039	4	12K	-430	-431	432	-433	
AS584A	-040	4	16K	-440	-441	442	-443	
AS584A	-041	4	24K					
AS584A	-042	4	32K	-450	-451	452	-453	

