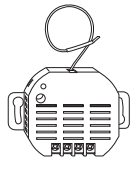


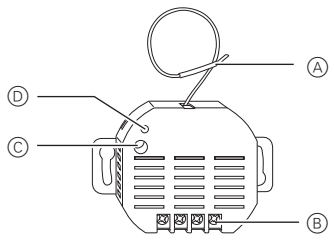
Connections, displays and operating elements

230 V flush-mounted CONNECT radio transmitter, 2-gang

Operating instructions



Art. no. MTN5016-0002



- (A) Radio antenna
- (B) Connections
- (C) Programming button
- (D) Status LED (red, green)

For your safety

DANGER
Risk of death from electric shock!
 All work on the device should only be carried out by trained and skilled electricians. Observe the country-specific regulations.

Introduction to the flush-mounted transmitter

The 230 V flush-mounted CONNECT radio transmitter, 2-gang (referred to below as the **flush-mounted transmitter**) has 2 inputs for 230 V each.

Suitable receivers of the CONNECT radio system can be controlled remotely with the flush-mounted transmitter.

The flush-mounted transmitter has been designed for installation in a 60 mm deep flush-mounted box or any other suitable junction box.

Before you can remote-control other devices with the flush-mounted transmitter, you have to program the flush-mounted transmitter for the radio system or install a new radio system (see the separate description of the "CONNECT radio system").

i The flush-mounted transmitter has occupancy recognition. It recognises whether a push-button or a switch is connected.

Functions within the EASY CONNECT radio system:

The flush-mounted transmitter has two function channels (1 and 2) when being integrated into the EASY CONNECT radio system. Occupancy recognition also detects whether both inputs of a function channel are connected.

In an EASY CONNECT radio system the flush-mounted transmitter can act as the system administrator together with five other devices (see the separate description of the "CONNECT radio system").

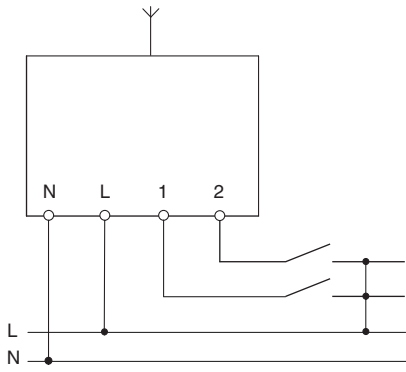
Additional functions within the CONNECT radio system with configuration tools:

i Other functions and settings for the flush-mounted transmitter (e.g. retrieve/save a scene, bell push-button function, change input assignment) can also be programmed with the CONNECT radio configuration tool.

Installing the flush-mounted transmitter

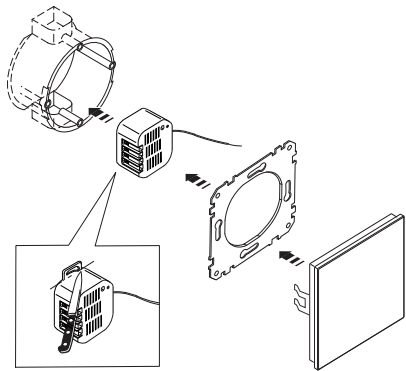
DANGER
Risk of death from electric shock!
 The device has no basic insulation and must therefore be installed in a way that protects against accidental contact.

① Connect the flush-mounted transmitter.



Simply install the flush-mounted transmitter "invisibly" in a flush-mounted box with a blanking cover.

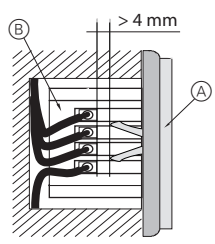
② Install the flush-mounted transmitter.



i Place the antenna as far as possible from metal parts (connecting cables, retaining rings, etc.) to avoid interruptions to the radio signal.

i Metal surfaces in the immediate vicinity (e.g. metal door frames) can affect reception.

DANGER
Risk of death from electric shock!
 Metal fixing brackets and screws may carry an electric current. Once a cover (A) is installed, the distance from the fixing brackets or screws to the connections of device (B) must be at least 4 mm!



If the distance is less than 4 mm, you must use either a deeper installation box or a different cover! The fixing brackets or screws of the cover must not press against the housing.

③ Install the cover.

Teaching the flush-mounted transmitter

Integrate the flush-mounted transmitter into the CONNECT radio system by teaching (see also the operating instructions for the CONNECT radio system). The transmitter is taught like a 1-gang push-button.

i The flush-mounted transmitter can be the system administrator itself, which means that every push-button can be taught.

i Teaching either can be started via the programming button or via a connected push-button.

Alternative teaching of the flush-mounted transmitter

Use the CONNECT USB data interface and the CONNECT radio configuration tool.

Operating the flush-mounted transmitter

Only one input connected with EASY CONNECT and to CONNECT radio configuration tool

Press 1 briefly: switch, or stop roller shutter
 Press 1 longer: dim, or move roller shutter

Both inputs connected with EASY CONNECT:

Press 1 briefly: switch, or stop roller shutter
 Press 1 longer: dim lighter, or raise roller shutter

Press 2 briefly: switch off, or stop roller shutter
 Press 2 longer: dim darker, or lower roller shutter

Both inputs connected to CONNECT radio configuration tool

Press 1 briefly: switch, or stop roller shutter
 Press 1 longer: dim, or move roller shutter

Press 2 briefly: switch, or stop roller shutter
 Press 2 longer: dim, or move roller shutter

What should I do if there is a problem?

i You can analyse and check faults throughout the radio system with the help of the CONNECT radio USB data interface (on a suitable PC) and the CONNECT radio configuration tool.

The receiver is not reacting to the flush-mounted transmitter:

- Make sure that the maximum range is not exceeded and that there are no metal surfaces (e.g. metal cabinets or similar objects) in the radio transmission path.
- Check that the flush-mounted transmitter is wired properly.
- Make sure that the flush-mounted transmitter is not in programming mode (continuous LED lighting.)
- If necessary, repeat the teaching process.

The LED in the flush-mounted transmitter lights up red:

If it does not receive any feedback from the receiver, the LED on the flush-mounted transmitter lights up red.

Resetting to factory settings (Reset)

Under certain circumstances, it is necessary to reset this device (and, as the case may be, the other devices in the radio system) to its factory settings and to reconfigure the radio system:



CAUTION

Malfunctions may occur in the radio network.

When you reset to the factory settings, all settings and connections for this CONNECT device are lost. The radio system may no longer work and will need to be reconfigured: see the separate description of the CONNECT radio system.

- ① Within approx. 1.5 s: Tap the programming button briefly three times (with an insulated tool, e.g. an insulated phase tester).

The LED flashes at intervals of one second.

- ② Then press and hold the programming button until the LED stops flashing (approx. 5 seconds).

The device has now been reset to its factory settings.

Disposal

i Dispose of the device according to statutory regulations. Electronic devices should not be placed in normal household garbage.

Technical data

Connected loads:	AC 220-230 V, 50-60 Hz
Operating elements:	1 key
Display elements:	1 status LED (red, green)
Radio network	
Radio frequency:	868 MHz
Radio protocol:	Z-wave
CONNECT device type:	Secondary controller, always listening
Areas of application:	Router, Transmitter, Systemmanager
Range:	
Free field:	up to approx. 100 m
Building:	up to approx. 30 m (depending on building materials and installation type)
Ambient temperatures:	
Operation:	-5 °C to +45 °C
Max. humidity:	93 % relative humidity, no condensation
Screw connections:	1 phase 1 neutral Two 230 V inputs
Type of protection:	IP 20
Dimensions (HxWxD):	approx. 48x52x27 mm, without connecting cables
EC guidelines:	Low-Voltage guideline 2006/95/EC EMC guideline 2004/108/EC

Information for experienced users who want to use this device with

Z-wave compatible devices from other manufacturers:

Z-wave device type	Routing slave
Learn mode: (for integration into Z-wave systems from other manufacturers)	Triple click on programming button or on connected push-button

Send "Node info frame"	Triple click on programming button. Wait until the LED goes out.
------------------------	--

Input

1	Association Group = 1 Parameter no. = 0
2	Association Group = 2 Parameter no. = 1

List of functions	Parameter number
Switching/dimming/roller shutter dual-surface:	0
Switching single-surface	4
Retrieve/save scene	60
Bell push-button function	44
Move roller shutter single-surface: Toggle direction of movement after each switching process	54
Roller shutters are LOWERED as long as push-button is pressed	52
Roller shutters are RAISED as long as push-button is pressed	55

Z-wave designation	CONNECT term
Inclusion	Teach (sends Node info frame), see CONNECT radio system description
Exclusion	Reset to factory settings; complete programming
Primary	Device with system administration



This device can be used with Z-wave compatible devices, including devices from other manufacturers. Each Z-wave compatible device can be added to a Z-wave system and then also acts as a router, if the routing of commands is supported. Configuration of a Z-wave system is described in the description of devices with system administration function (e.g. CONNECT radio push-button). Some functions are only possible with devices which are compatible with the CONNECT radio system.

Schneider Electric Industries SAS

If you have technical questions, please contact the Customer Care Center in your country.

www.schneider-electric.com

This product must be installed, connected and used in compliance with prevailing standards and/or installation regulations. As standards, specifications and designs develop from time to time, always ask for confirmation of the information given in this publication.