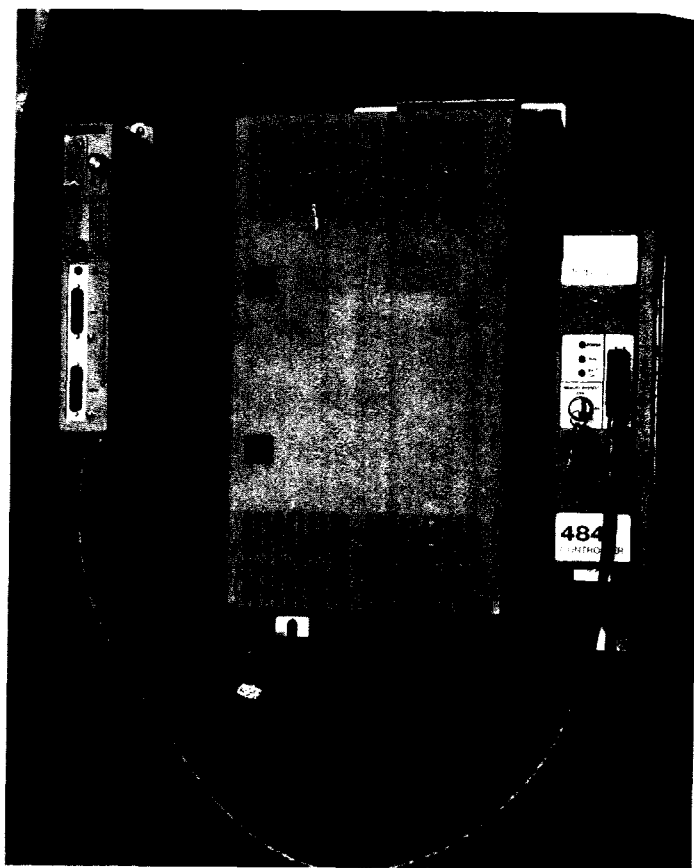


## SECTION VII

### J470 ADAPTER

#### 7.0 INTRODUCTION

The J470 Adapter (Figure VII-1) is a customer option which may be added to any 484 Controller at any time. The adapter is mounted adjacent to the controller mainframe. The three-foot cable plugs into the communication connector. This connector is usually used to talk to a programming device. Therefore, the J470 has two connectors: one is for the EIA device (computer) and the other for a programming panel. Simultaneous operation with both units is possible. However, when the EIA device is actively communicating, the programming panel stops for about a half second. During this lockout time, the programming panel displays a COMM BUSY message. It also stores requests made until the communication port is available. Power flow and screen displays freeze. The controller itself continues to operate during lockout time.



TS-80-0034-2

*Figure VII-1. J470 Adapter*

The user selects the EIA communication speed (baud rate), parity, and quantity of stop bits needed. Available baud rates are shown in Table VII-1.

Table VII-1. Setting of J470 Adapter Option Swps

BAUD RATE	S1	S2	S3
9600	1	1	1
4800	0	1	1
2400	1	0	1
1200	1	1	0
300	0	0	0
200	0	0	1
150	1	0	0
110	0	1	0

STOP BITS - S4 (0 = two stop bits, 1 = one stop bit)

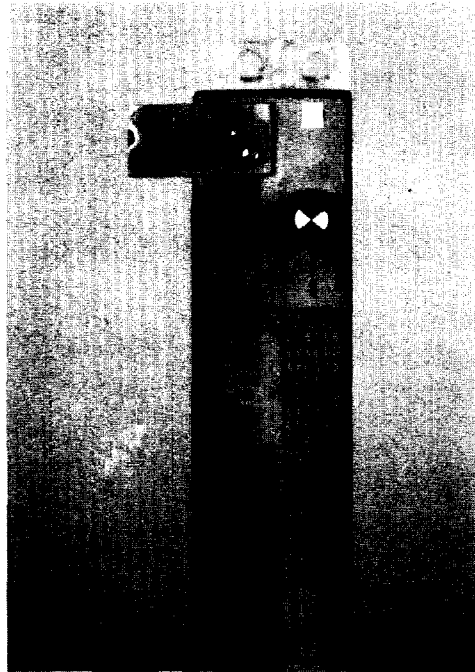
PARITY - S5, S6 as follows:

S5 Activates parity (0 = Inhibit, 1 = Enable)

S6 Selects parity (0 = Odd, 1 = Even)

NOTE

When shipped from factory, J470 Adapter will be set for: 9600 baud, no parity, one stop bit, and both ports active.



TS-80-0035-2

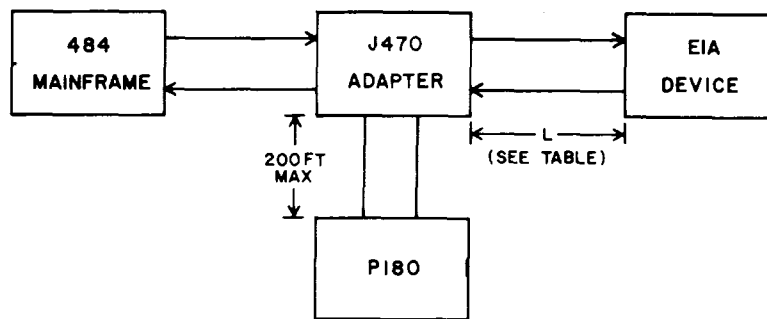
Figure VII-2. Option Selector on J470 Adapter

Shown in Figure VII-2 is a select switch that must be used to indicate device or devices are being used with the J470.

Any combination of baud rate, parity, or stop bits is allowed. The P180 Programming Panel always communicates at 9600 baud, even parity with one stop bit. Communications to a computer can be at any option selected by the user.

The J470 Adapter is also required to operate with L206 Universal Tape Loader and T158 Telephone interface. Thus, the 484 Controller can be simultaneously connected via the J470 Adapter to the P180 Programming Panel and one of the following:

- Universal Tape Loader (Model L206)
- Telephone Interface (Model T158)
- EIA Compatible Computer



Device	Maximum Distance (L)	Maximum Baud Rate
L206	50'	9600
T158	100'	300
Computer W/O Adapters	50'	9600
Computer W/I642 Adapter	2000'	300
Computer W/I643 Adapter	1000'	9600

TS-80-0044-1

Figure VII-3. J470 Block Diagram, External Connections

Figure VII-3 is a block diagram of the various connections to the J470 Adapter and the distance limitations. Most computers are compatible of communicating at distances up to fifty feet (per EIA specification RS-232C); however, the J470 Adapter is capable of driving up to 1000 feet of cable (baud rates up to 9600) or 2000 feet with baud rates equal to or less than 300.