

PowerLogic® CM3000

Quick Reference Guide

VFD Display

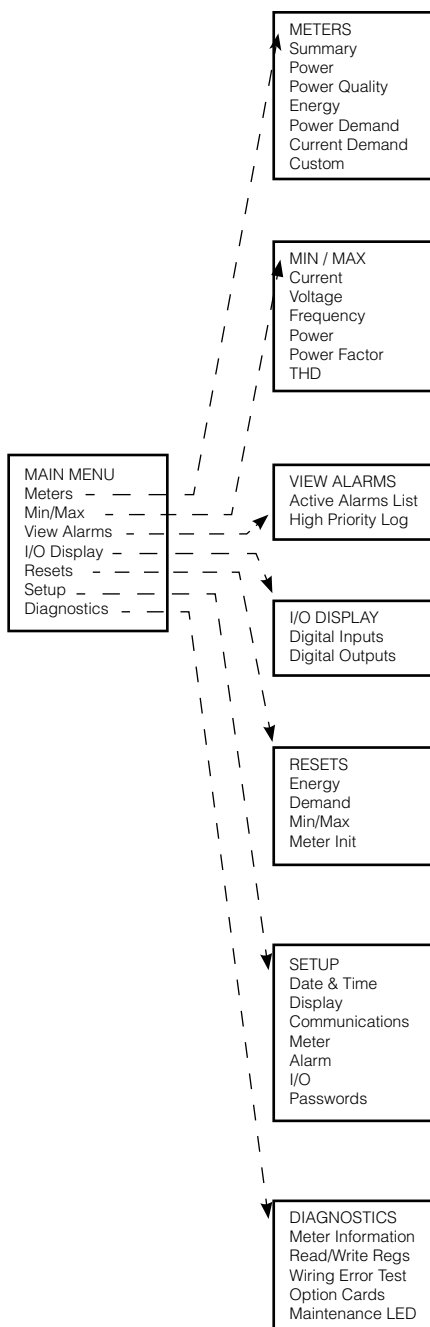


Parts of the Display

Component	Description
1 Alarm	Red flashing light illuminates when an alarm is active
2 Arrow buttons	Press the arrow buttons to scroll through and view the options or values displayed on a menu
3 Enter button	Press to select information
4 Contrast button	Press to change the light and dark contrast of the display
5 Display screen	Use the 4-line LCD or VFD display illuminates on the VFD model when you cross the path of the proximity sensor or press a button on it. Both displays can be set to stay lit for a specified number of minutes. The LCD model is back lit. To activate back-lighting, press any button on the display.
6 Menu button	Press to go back on menu level.
7 Infrared port	For use with the optical communications interface (OCIVF) and a laptop (VFD display only).
8 Proximity sensor	Detects when you are approaching and turns on the display and buttons (VFD display only).

Setup Menu Options: METERS

Menu options on the Main Menu



Option	Available Values	Selection Description	Default
CT Primary	1–32,767	Set the rating for the CT primary. The circuit monitor supports two primary CT ratings: one for the phase CTs and the other for the neutral CT.	5
CT Secondary	1 or 5	Set the rating for the CT secondaries.	5
PT Pri Scale	x1 x10 x100 No PT	Set the value to which the PT Primary is to be scaled if the PT Primary is larger than 32,767. For example, setting the scale to x10 multiplies the PT Primary number by 10. For a direct-connect installation, select "No PT."	x1
PT Primary	1–32,767	Set the rating for the PT primary.	120
PT Secondary	100 110 115 120	Set the rating for the PT secondaries.	120
Sys Type	3Φ3W2CT 3Φ3W3CT 3Φ4W3CT 3Φ4W4CT 3Φ4W3CT2PT 3Φ4W4CT2PT	3Φ3W2CT is system type 30 3Φ3W3CT is system type 31 3Φ4W3CT is system type 40 3Φ4W4CT is system type 41 3Φ4W3CT2PT is system type 42 3Φ4W4CT2PT is system type 43 Set the system type. A system type code is assigned to each type of system connection. See Table 5–2 in the installation manual for a description of system connection types.	3Φ4W3CT (40)
Frequency (Hz)	50, 60, or 400 Hz	Frequency of the system.	60
Pwr Dmd Meth		Select the power demand calculation method. The circuit monitor supports several methods to calculate average demand of real power. See "Demand Power Calculation Methods" on page 55 for a detailed description. Slide—Sliding Block Demand Slave—Slave Block Demand Therm—Thermal Demand R Comms—Command-Synchronized Rolling Block Demand Comms—Command-Synchronized Block Demand RInput—Input-Synchronized Rolling Block Demand Input—Input-Synchronized Block Demand RClock—Clock-Synchronized Rolling Block Demand Clock—Clock-Synchronized Block Demand RBlock—Rolling Block Demand Block—Fixed Block Demand IncEngy—Synch to Incremental Energy Interval	Slide
Pwr Dmd Int	1–60	Power demand interval—set the time in minutes in which the circuit monitor calculates the demand.	15
Pwr Dmd Sub Interval	1–60	Power demand subinterval—period of time within the demand interval in which the demand calculation is updated. Set the subinterval only for methods that will accept a subinterval. The subinterval must be evenly divisible into the interval.	N/A
Advanced	See "Advanced Meter Setup" on page 33 in this chapter for more information.		