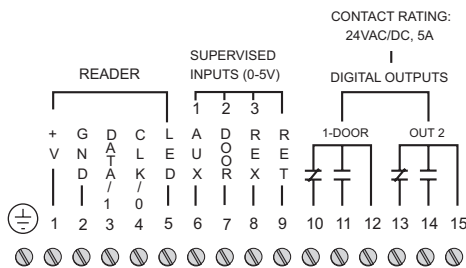


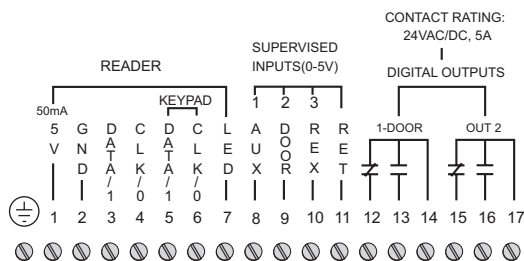
I/O Connection

AC-1 Connections

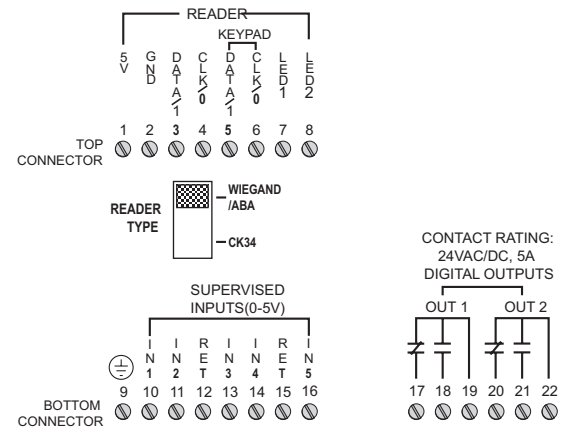


Caution: Earth ground (⊕) must be connected to avoid module damage

AC-1A Connections



AC-1 Plus Connections



Wiring Rules

High voltage AC Power wiring should be routed to the conduit opening nearest the AC power terminals.

Do not bundle or route AC Power wiring with low voltage input or output wiring.

For US installations, this product must be installed in accordance with NFPA70 (NEC), local codes, and authorities having jurisdiction (AHJs).

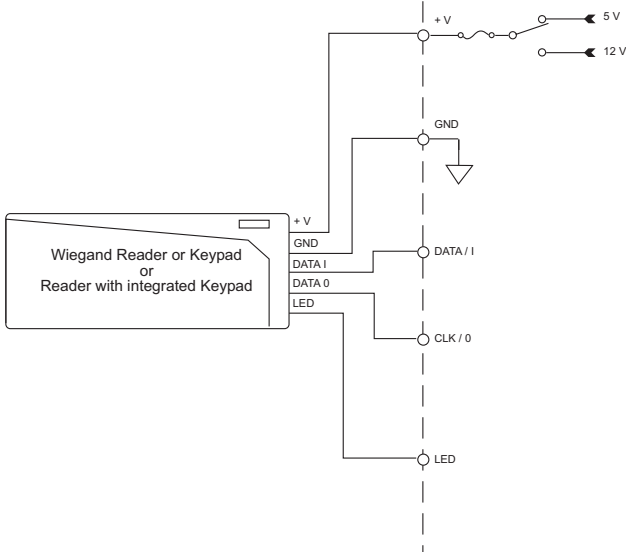
Programming / More Information

For more information on this product, see the Continuum I/O Systems Reference, 30-3001-499. For more information specific to Underwriters Laboratories (UL), see the UL Listings on the next page.

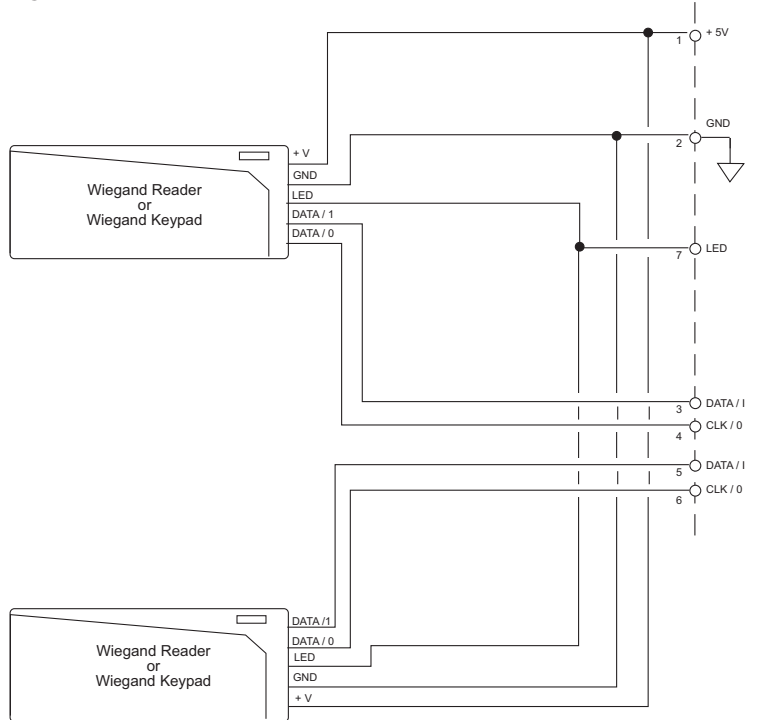
Signal Connections

Single Reader Connection AC-1, AC-1A, AC-1 Plus

Caution:
On AC-1 Module, Be Sure
to Set the Reader Power
Switch to the Correct Voltage

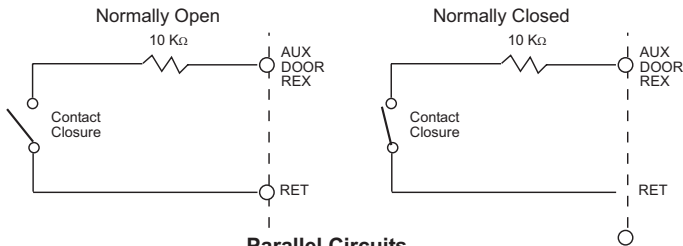


Dual Reader Connection AC-1A

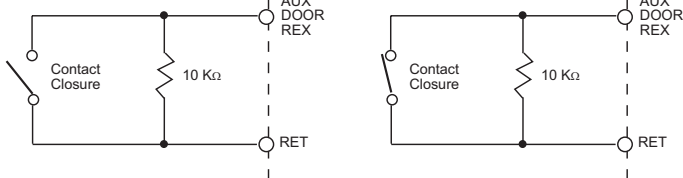


Supervised Input Connections AC-1, AC-1A, AC-1 Plus

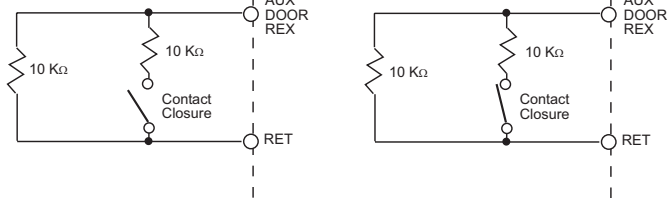
Series Circuits



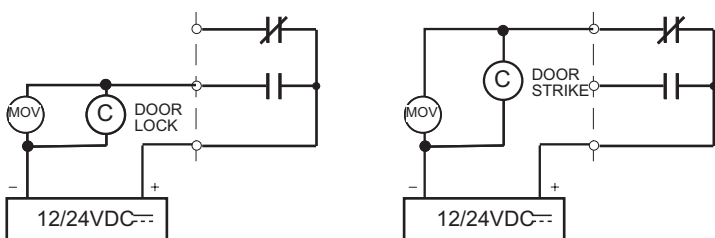
Parallel Circuits



Series-Parallel Circuits

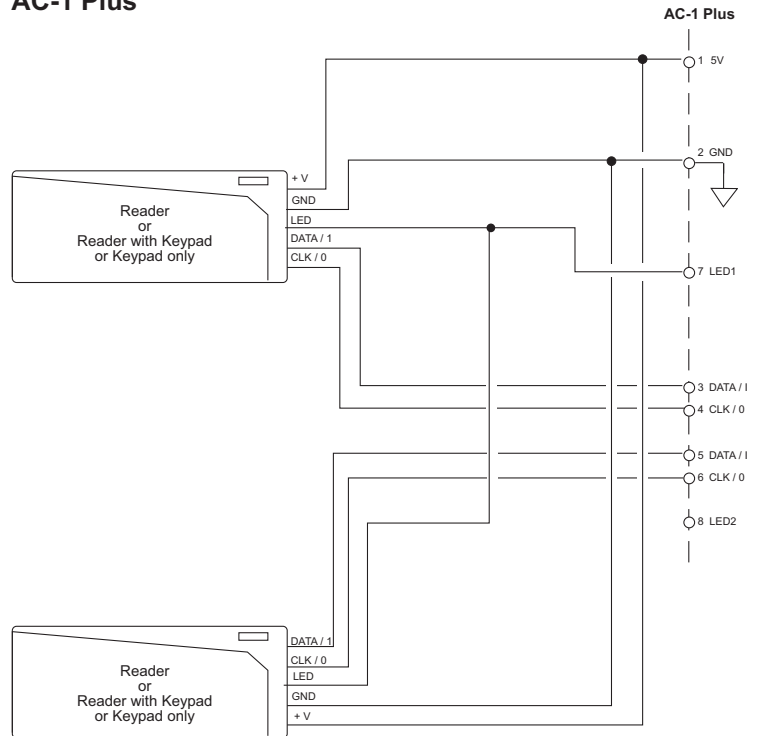


Door Output Connections AC-1, AC-1A, AC-1 Plus



Note:
MOV: ACC # 01-2020-095

Dual Reader Connection AC-1 Plus



UL 916 Listed product for the United States and Canada, Open Energy Management Equipment.

SECURITY LISTED SUB-ASSEMBLY 2M69
 LISTED GENERAL SIGNALING EQUIPMENT SUB-ASSEMBLY 2M69

UL 294 (Access Control System Unit Subassemblies for the United States) and UL 1076 (Proprietary Burglar Alarm System Unit Subassemblies for the United States) and C22.2 No. 205-M1983 (Signal Equipment for Canada)

Note: Refer to the UL Listed Access Control/Proprietary Burglar Alarm System's installation manual (the *UL294 Access Control* and *UL 1076 Proprietary Burglar Alarm Systems Reference*, 30-3001-504) for specific wiring, operation, and compatibility information.