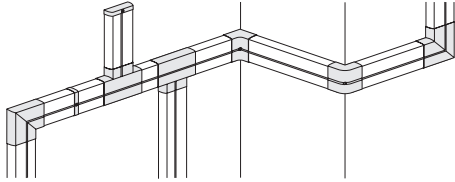


Mita

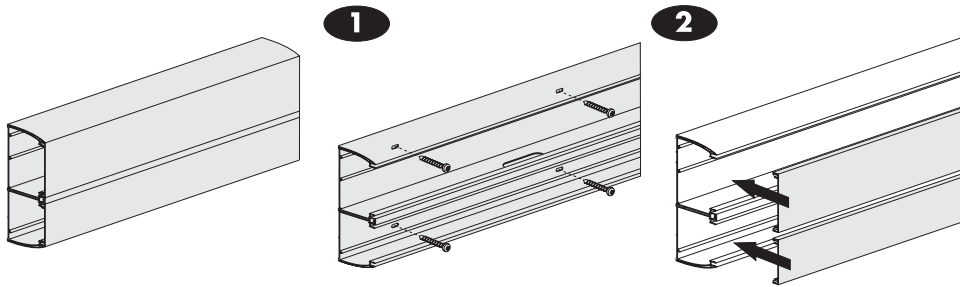


Installation trunking 190x62

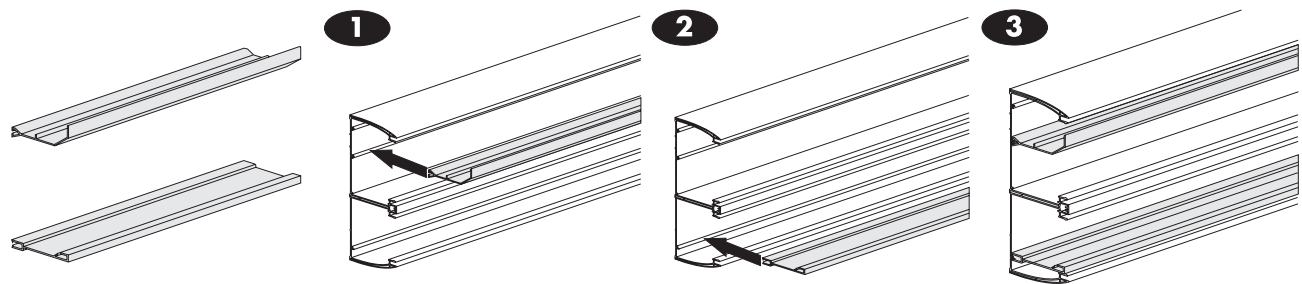
Ultimate 62



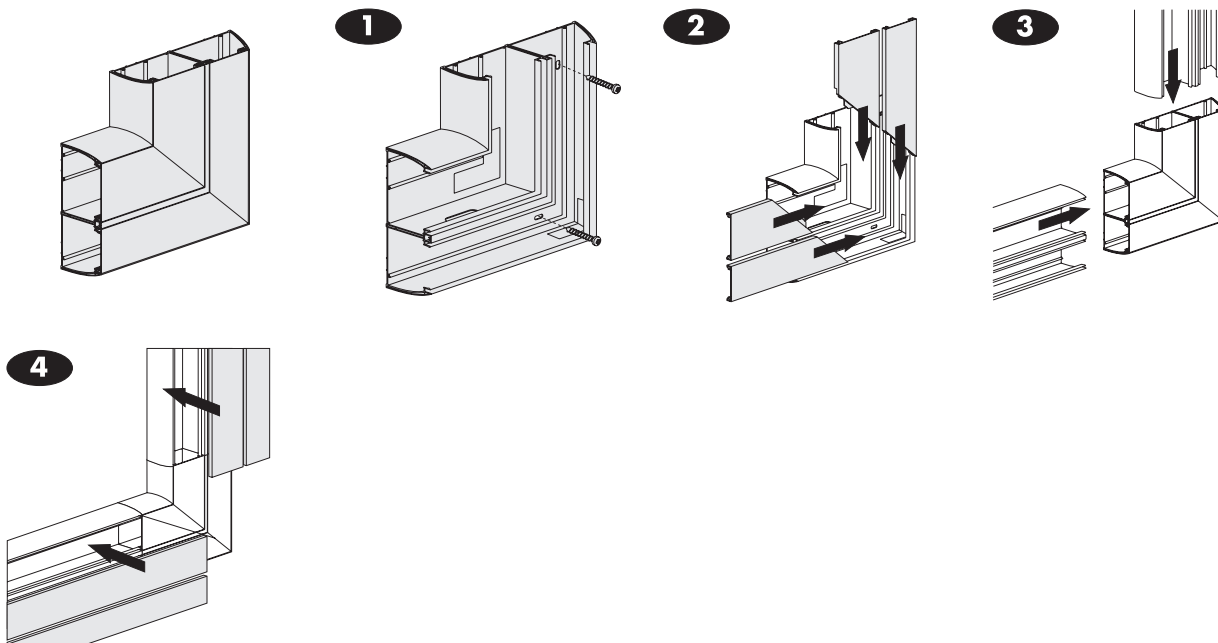
Installation



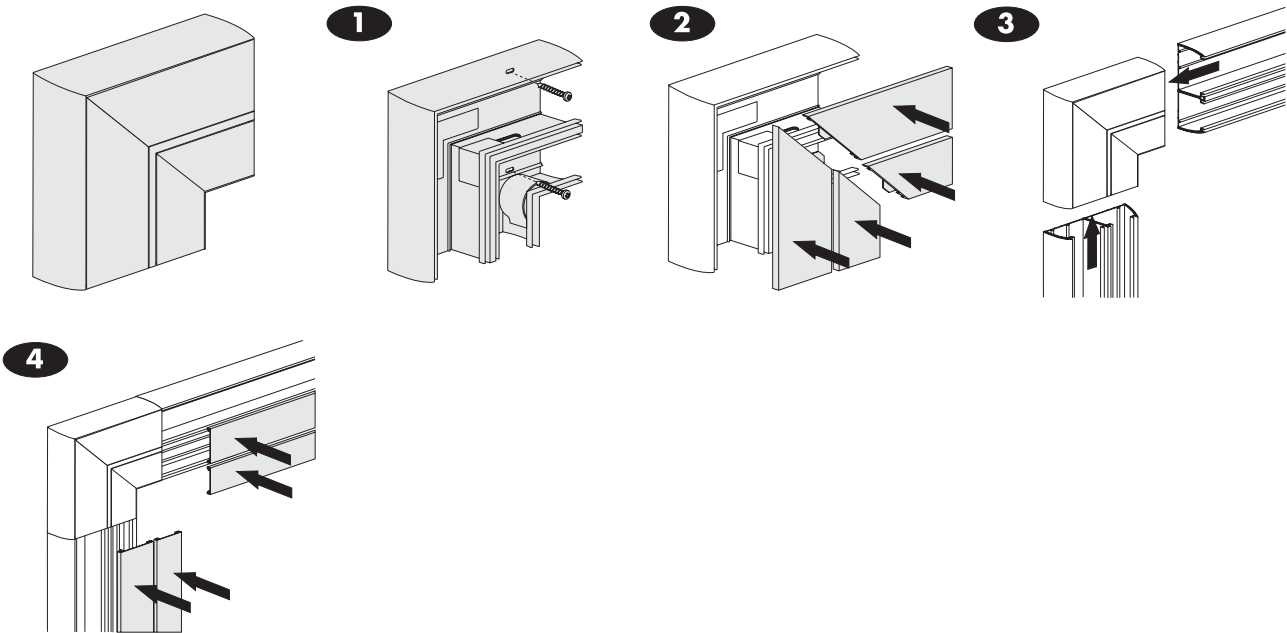
Installation of dividers



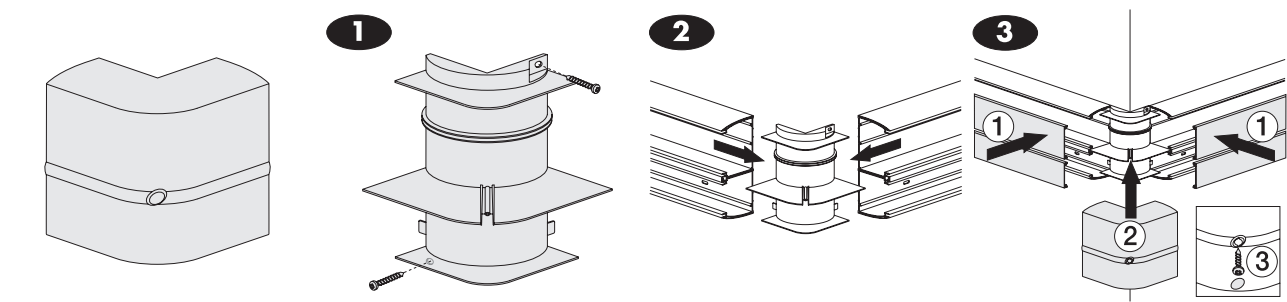
Installation of flat angle riser



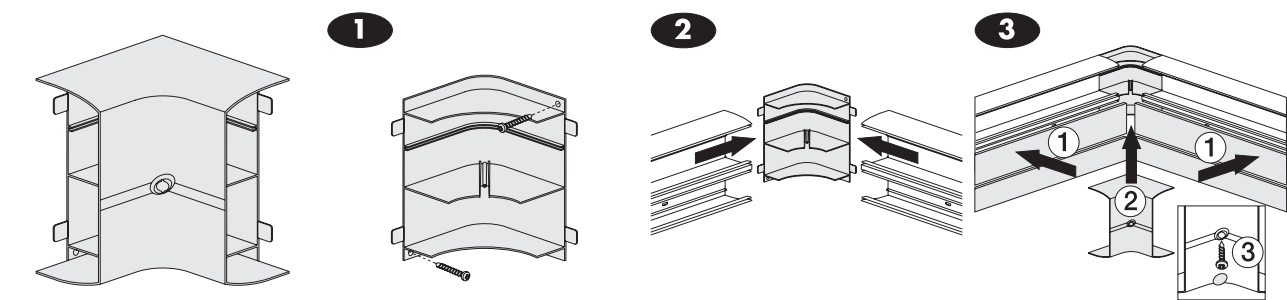
Installation of flat angle dropper



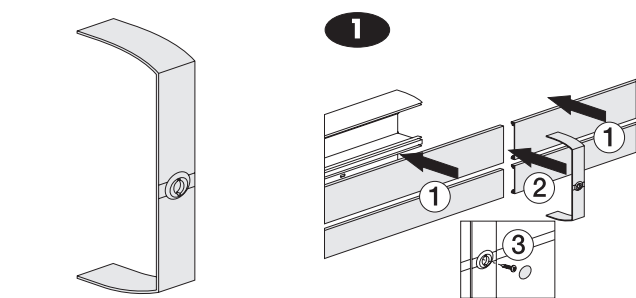
Installation of external corner



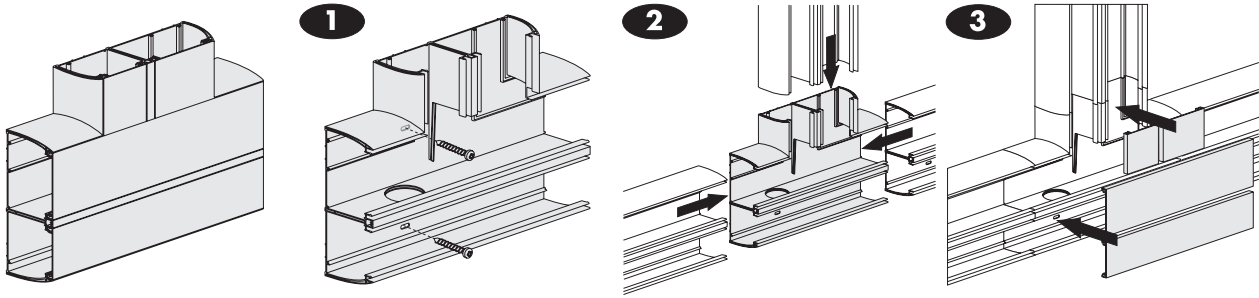
Installation of internal corner



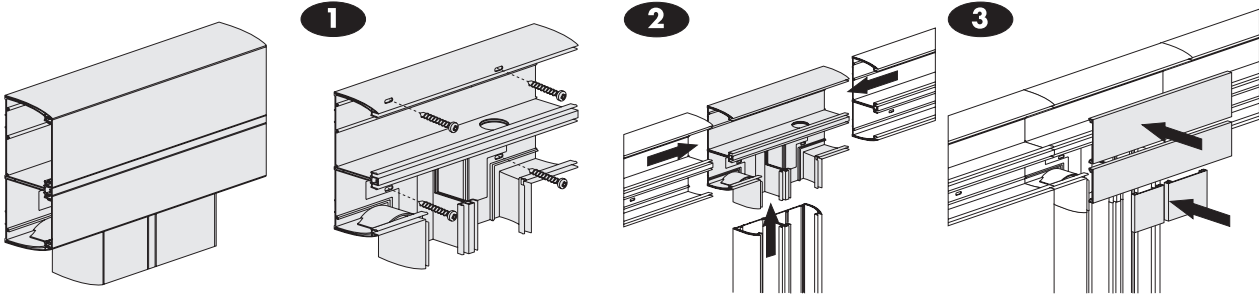
Installation of joint cover



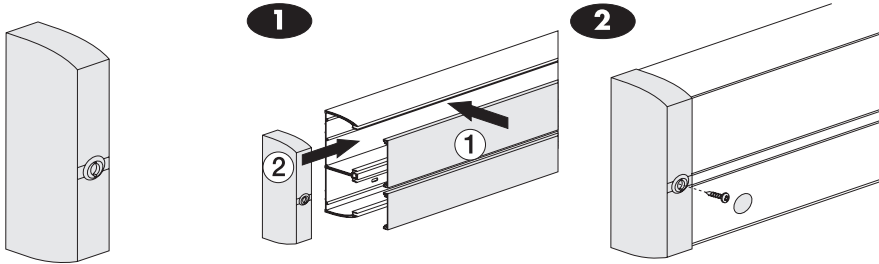
Installation of tee riser



Installation of tee dropper



Installation of end cap



Installation of socket mounting box

