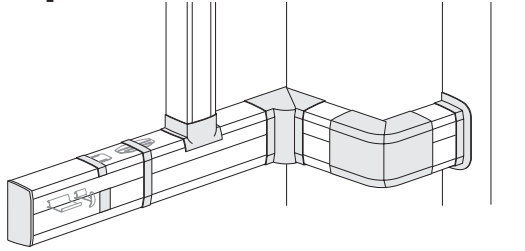


OptiLine 50

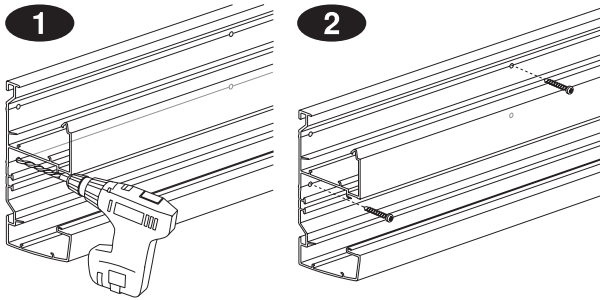


Aluminium trunking, sizes 120 & 140

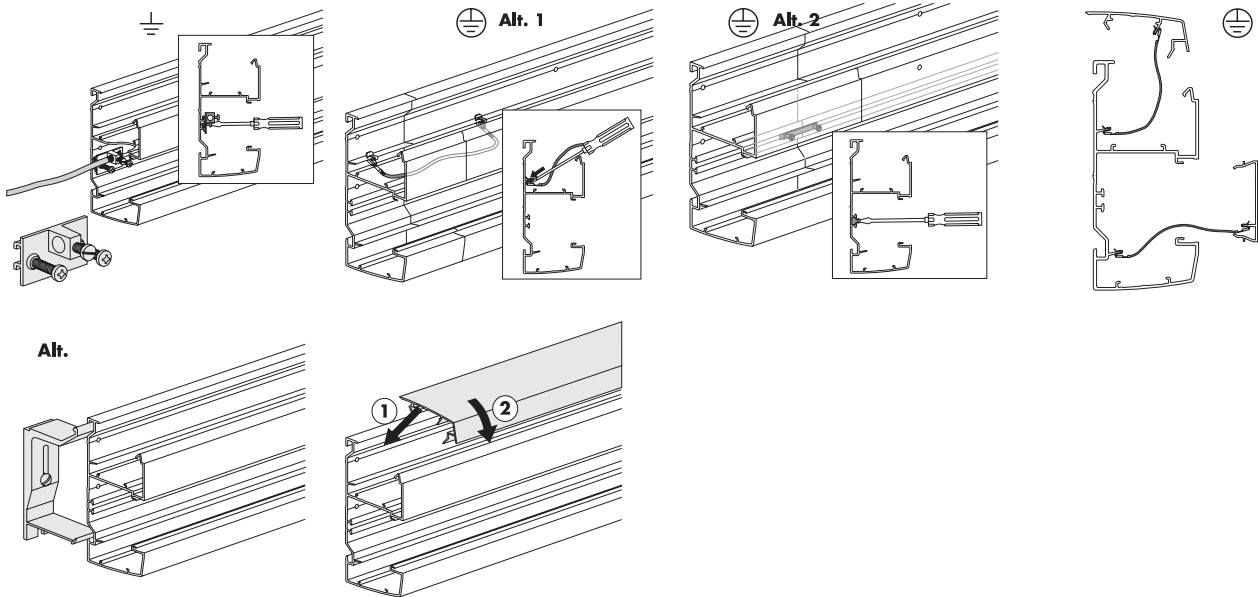
INS13300
INS13350
INS13400
INS13450



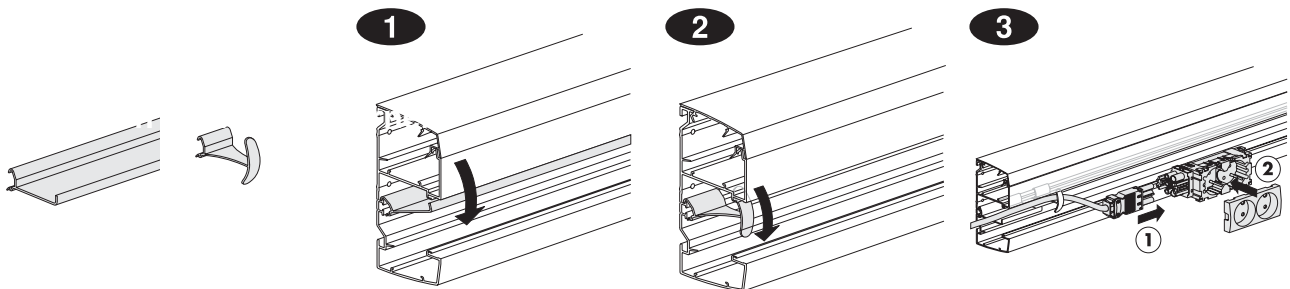
Installation



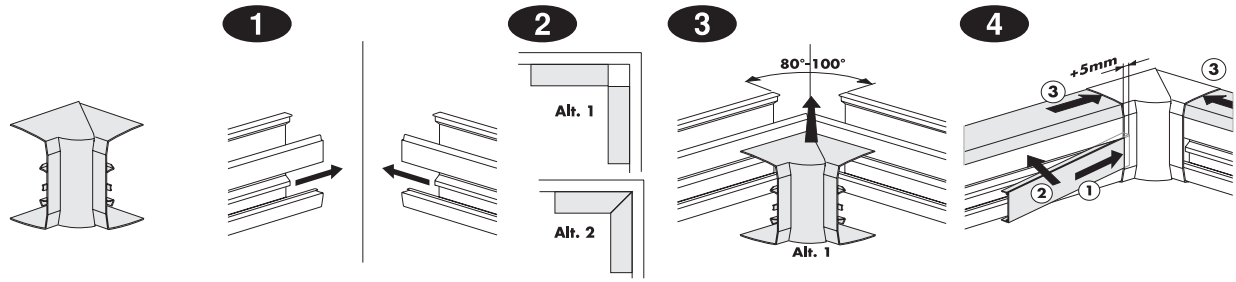
Earthing system



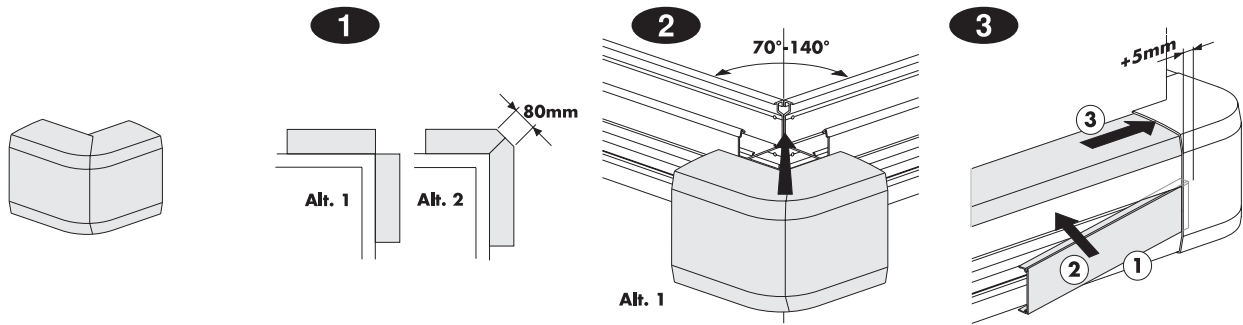
Installation of cable shelf/cable retainer



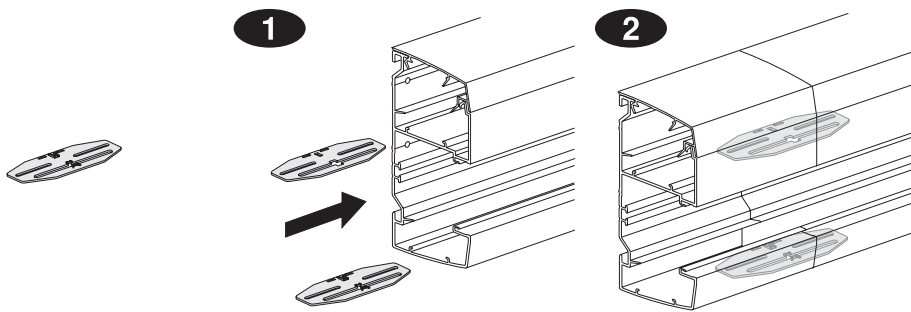
Installation of internal corner



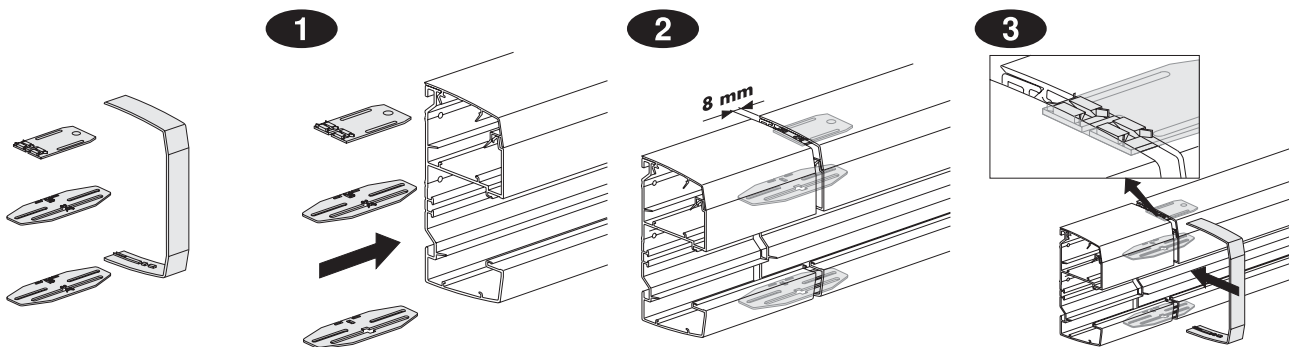
Installation of external corner



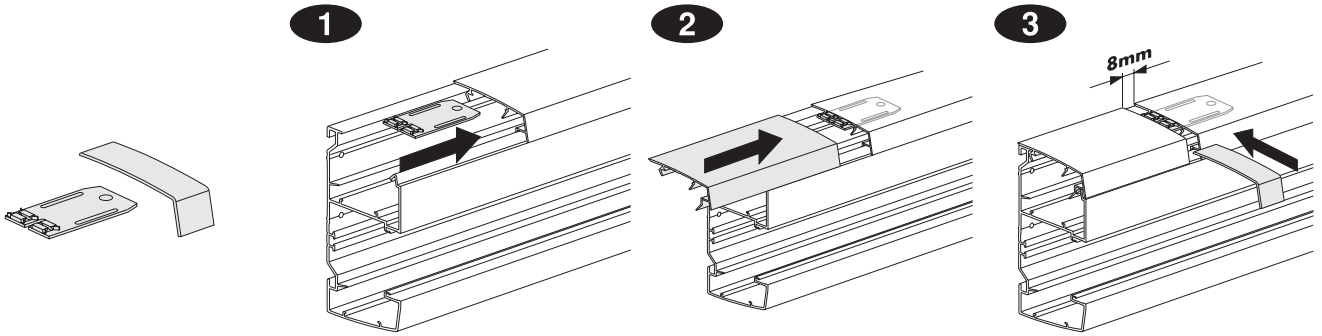
Installation of jointing piece



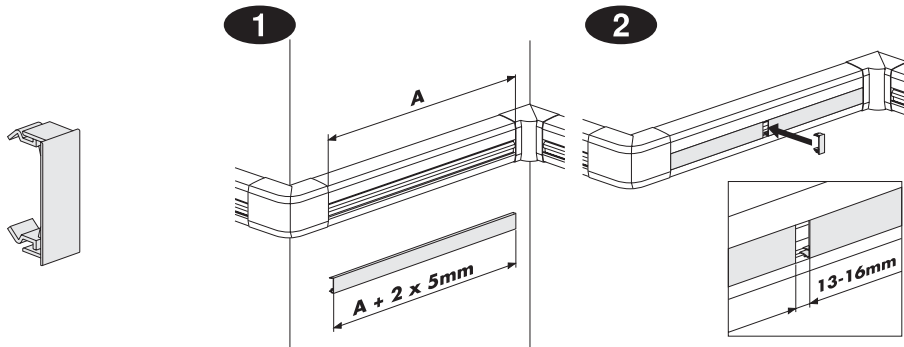
Installation of joint cover-piece kit



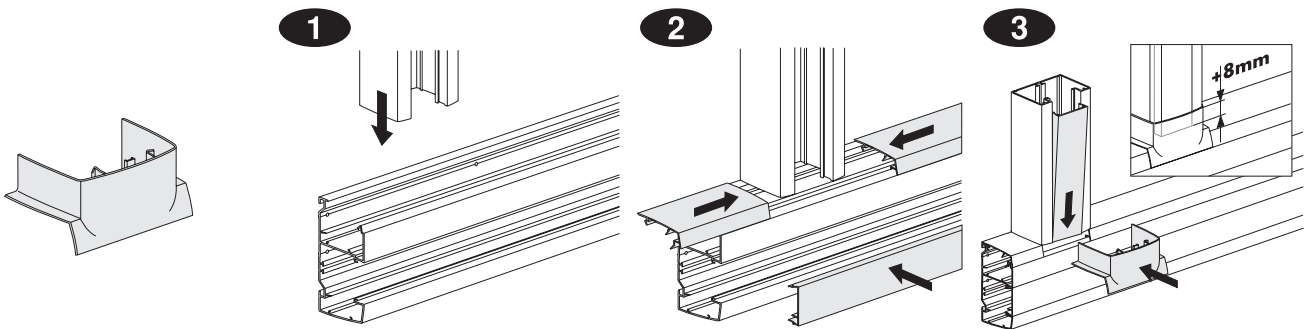
Installation of joint cover piece for top cover



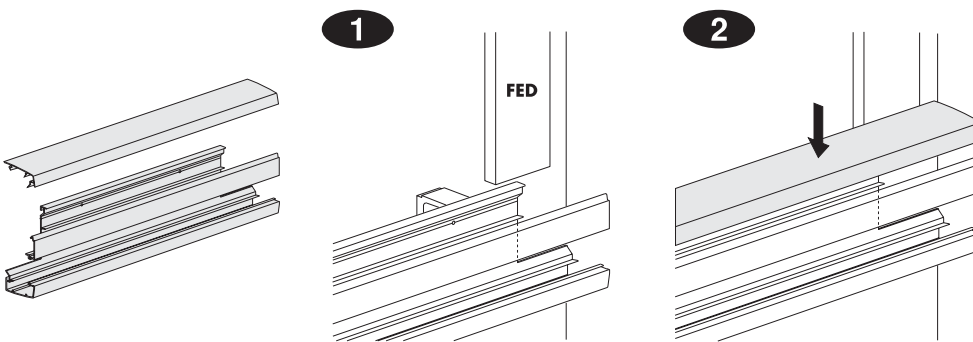
Installation of joint cover piece for front cover



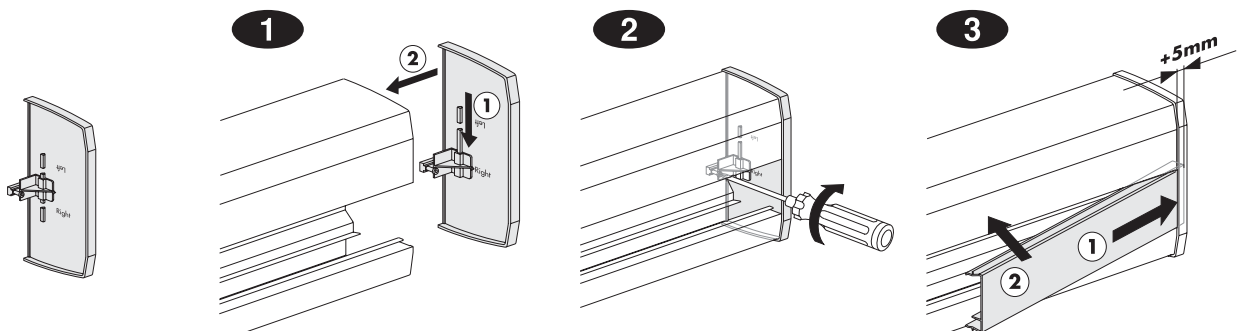
Installation of T-piece



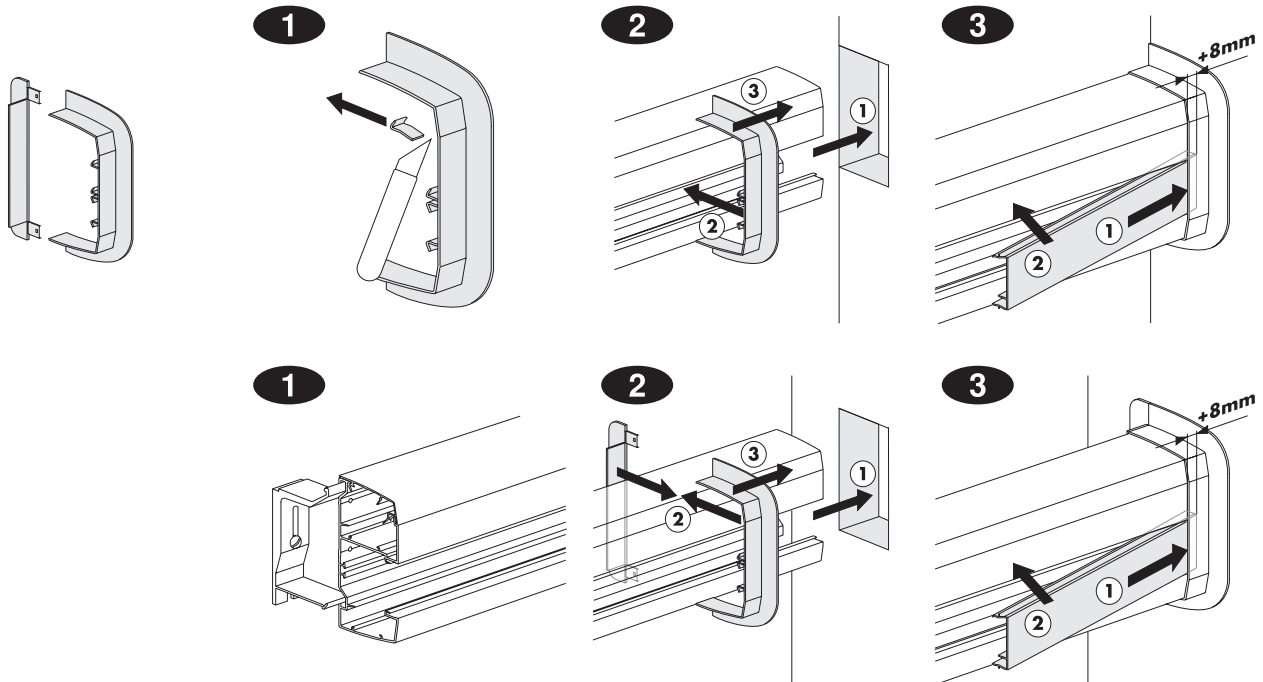
Installation of feeder unit



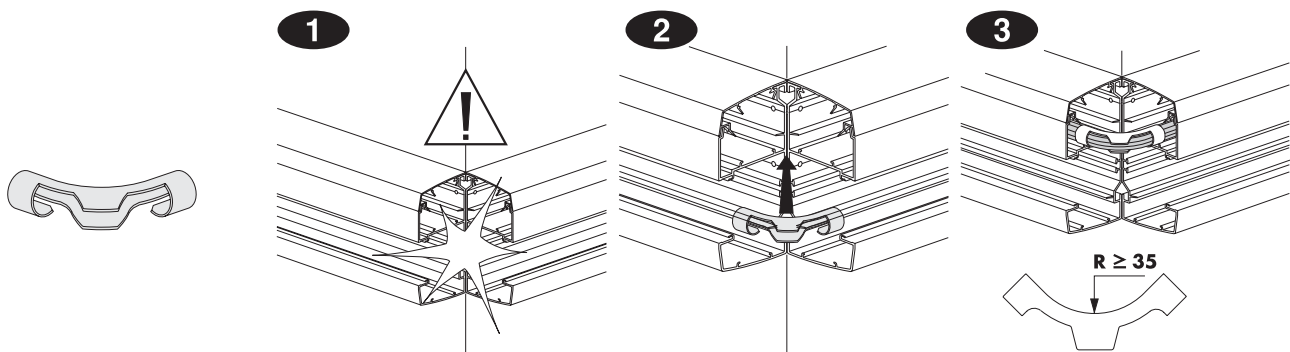
Installation of stop end



Installation of wall frame



Installation of cable bending protection



Dismounting

