

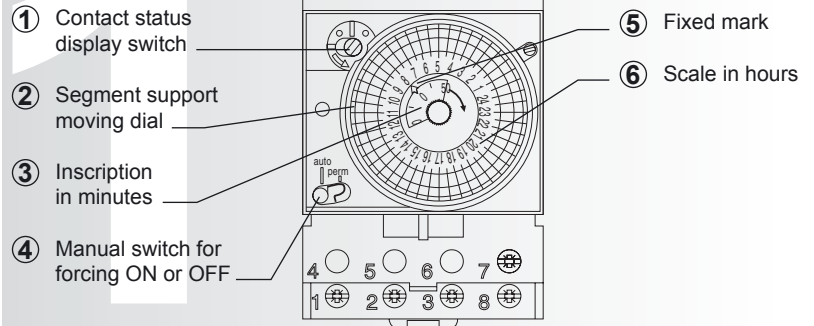


24 h
1C
ARM and SRM

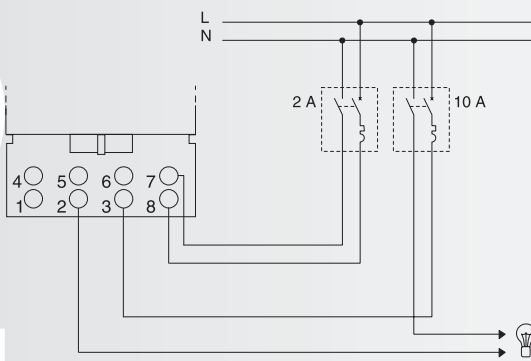


Function

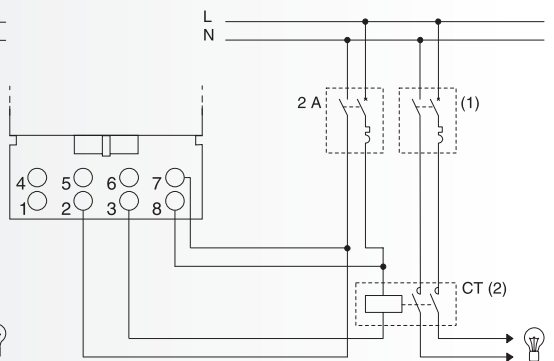
■ **Function:** the time switch automatically opens and closes a circuit according to a daily program established by the position of captive segments on a moving dial.



Applications



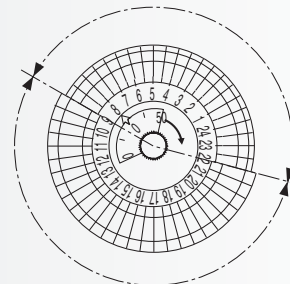
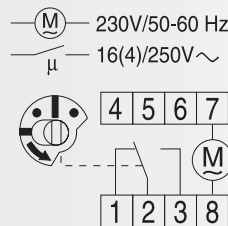
■ For loads less than 3500 W.



■ For loads exceeding 3500 W, use in conjunction with a contactor.

Programming

- Program the status change order of the output contact by pulling out or pushing down the blue captive segments on the moving dial:
 - pushed segments: load on, contact between terminals 2 and 3,
 - pulled segments: load off, contact between terminals 2 and 1.
- Setting limits: gap between two segments = 30 min.



■ In the above example, the jumpers are pushed in from 9 a.m. to 10 p.m.: the load is on during this period.

Setting

- To set the hour, turn the graduated dial (6) in the direction shown to bring the figure for the required hour opposite the fixed mark (5).
- To set the minutes, do the same with dial (3).
- Check proper operation of switching by rotating the switch (1).
- The quartz motion (ARM) starts after a few minutes

Selecting ON, OFF or automatic mode

- Using switches (1) and (4) in conjunction with one another, the switch can be set for automatic operation, forced on, or forced off:
 - switch on "perm": permanent on or off (using switch (1)),
 - switch on "auto": preset program.

Characteristics

- Supply voltage: 230 V ± 10 %
- Frequency: 50-60 Hz / 50 Hz (16364)
- Output contact rating: 16 A/250 V~ cosφ = 1; 4 A/250 V~ cosφ = 0.6
- Consumption: 2.5 VA
- Quartz motion
- Operating reserve: 150 hours for ref. 15365
- 48 possible switchings in the day
- Minimum time between 2 switchings: 30 minutes
- Type of setting: 1 B STU according to EN 60730
- Operating temperature: -10°C to +50°C
- Maximum capacity of connection terminals: 2 x 2,5 mm²
- Overall dimensions: 6 modules of 9 mm.

Acceptable power

incandescent lamp 230 V	1100 W
halogen lamp 230 V	1100 W
non compensated fluorescent tube/serial compensated fluorescent tube with conventional ballast	15 x 40 W - 10 x 58 W - 6 x 100 W
parallel compensated fluorescent tube with conventional ballast	2 x 40 W (4.7 μF) - 1 x 58 W (7.0 μF)
dual-mounted fluorescent tube with conventional ballast	5 x (2 x 58 W) - 3 x (2 x 100 W)
parallel compensated sodium vapour lamp	relay by contactor CT
parallel compensated HQL fluorescent balloon	relay by contactor CT

This product must be installed, connected and used in compliance with prevailing standards and/or installation regulations. As standards, specifications, designs and dimensions develop from time to time, always ask for confirmation of the information given in this publication.