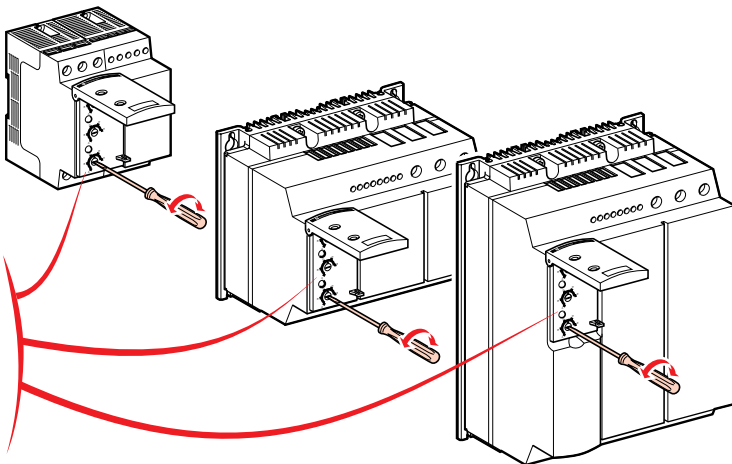
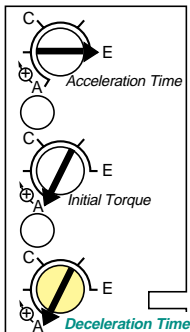


LH4-N2●●

Factory Presets



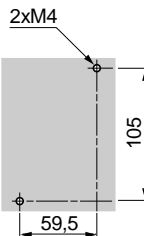
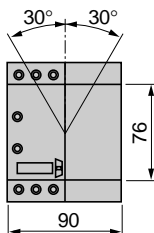
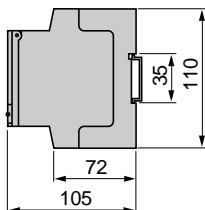
Fixation

Mounting dimensions

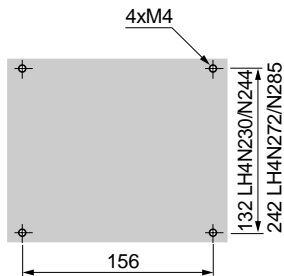
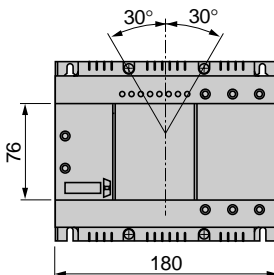
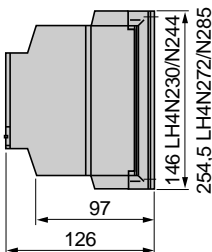
Befestigungsmaße

Fijaciones

LH4-N206...LH4N225



LH4-N230...LH4-N285



9151252101100000



W9 1512521 01 21 A 05 (05/98)







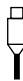


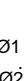
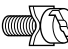
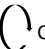

LH4-N2●●

Raccordement

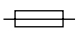
Connection

Anschlüsse

Conexión

Puissance Power							Ø 6		Contrôle Command			Ø 4
									Ø1 4,2 Ø2 10			
	[mm ²]	[mm ²]	[mm ²]	[mm ²]	[mm ²]	[mm ²]	[mm ²]	[mm]	AWG	C N.m	T lb/in	
Puissance Power ≤ 25 A	1,5...6	1,5...6	1,5...6	1,5...6	1,5...4	1,5...4	—	Ø1 4,2 Ø2 10	60/75°C 18...8	1,7	15	
Contrôle Control ≤ 25 A	0,75...2,5	—	0,75...2,5	—	0,75...1,5	—	—	—	60/75°C 18...12	0,7	6	
Puissance Power ≥ 30 A	6...25	6...25	6...25	6...25	4...25	4...16	—	—	75°C 10...2	5	45	
Contrôle Control ≥ 30 A	0,75...2,5	0,75...1,5	0,75...2,5	0,75...1,5	0,75...1,5	0,75...1,5	—	—	75°C 18...12	0,7	6	
 ≥ 30 A	—	—	—	—	—	—	—	Ø M6	75°C 10...2	5	45	

Suitable for a circuit capable of delivering no more than 25,000 RMS symmetrical amps when protected by UL Listed, time delay fuses as listed in the following table.

Reference	aM 	Manual Motor Controller
LH4N206	8	GV2-M14
LH4N212	16	GV2-M16
LH4N225	25	GV2-M22
LH4N230	40	GV2-M32
LH4N244	63	GV3-M63
LH4N272	80	GV3-M80
LH4N285	100	GV-RE100

Reference	Fuse Class	Max Amp Rating
LH4N206	J	20 A
LH4N212	J	35 A
LH4N225	J	80 A
LH4N230	RK5 or J	100 A
LH4N244	RK5 or J	125 A
LH4N272	RK5 or J	200 A
LH4N285	RK5 or J	250 A

LH4-N2●●

Schéma de câblage (voir catalogue)

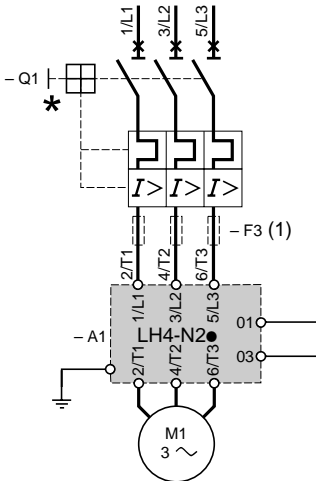
Connection diagram (see catalog)

Anschlußschema (siehe Katalog)

Esquema de cableado

(referirse al catálogo)

LH4-N206●●...LH4-N225●●
LH4-N230Q7...LH4-N285Q7

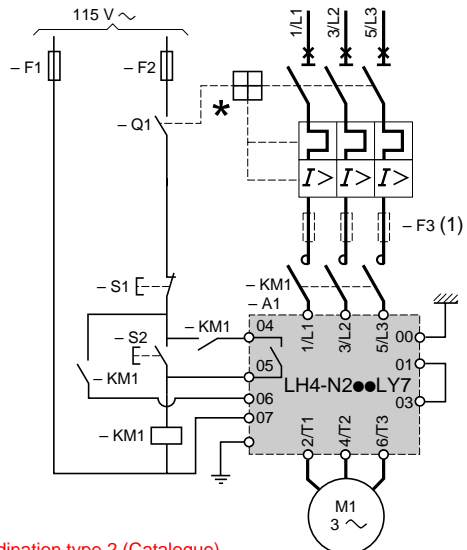
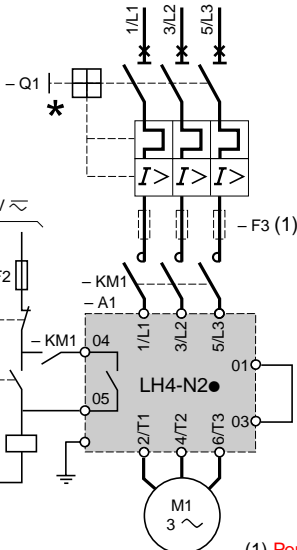
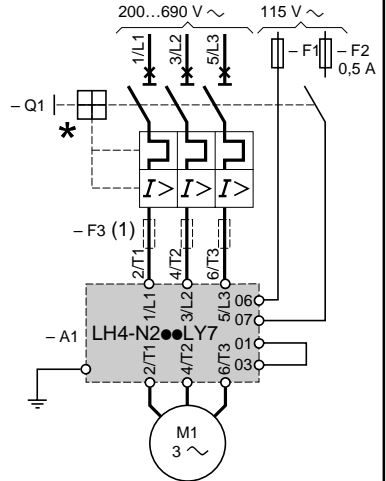


⚠ DANGER

HAZARDOUS VOLTAGE

Disconnect all power before servicing equipment.
Electric shock will result in death or serious injury.

LH4-N230LY7...LH4-N285LY7

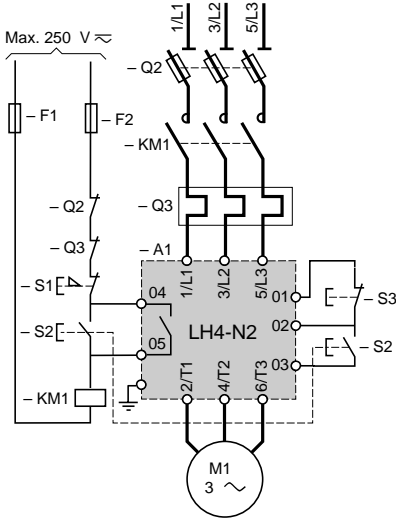


- (1) Pour coordination type 2 (Catalogue)
- (1) For type 2-coordination (See catalog)
- (1) Zur Koordination Typ 2 (Katalog)
- (1) Para coordinación de tipo 2 (catálogo)

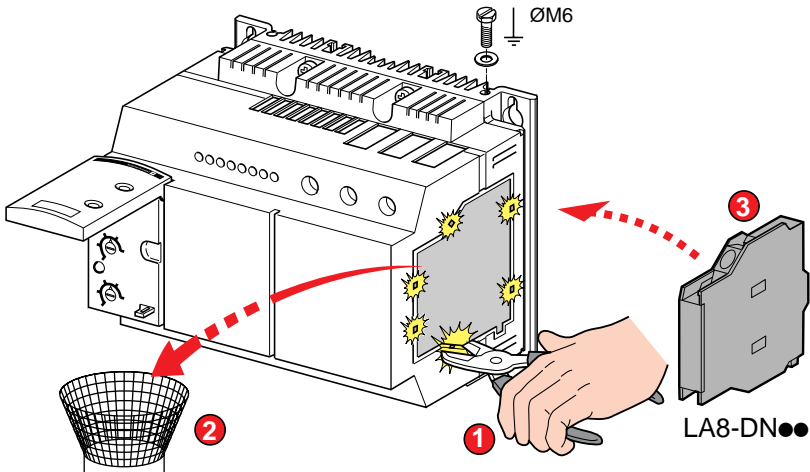
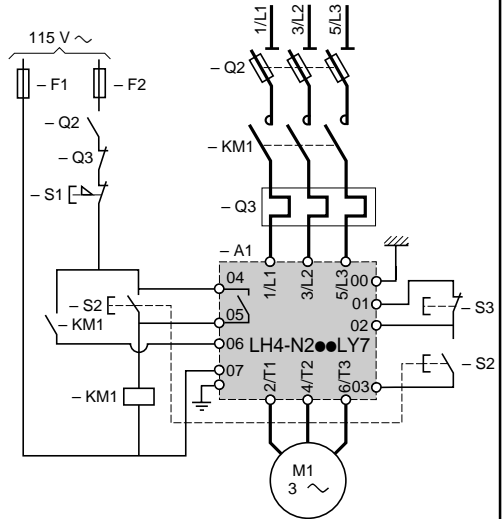
* For US and Canada short circuit protection must be provided in accordance with applicable installation code.

LH4-N2●●

LH4-N206●●...LH4-N225●●
LH4-N230Q7...LH4-N285Q7



LH4-N230LY7...LH4-N285LY7



Pour informations supplémentaires voir catalogue
For further information see catalog
Weitere Informationen siehe Katalog
Para datos informativos complementarios, referirse al catálogo