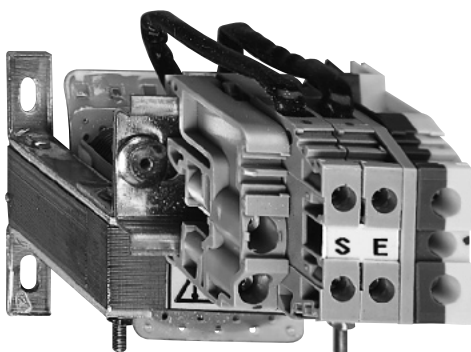


# ALTIVAR

# VW3-A58501 VW3-A58502

Inductances  
Line reactors  
Netzdrosseln  
Inductancias



VW3-A58501	2 mH	25 A	45 W
VW3-A58502	1 mH	45 A	50 W

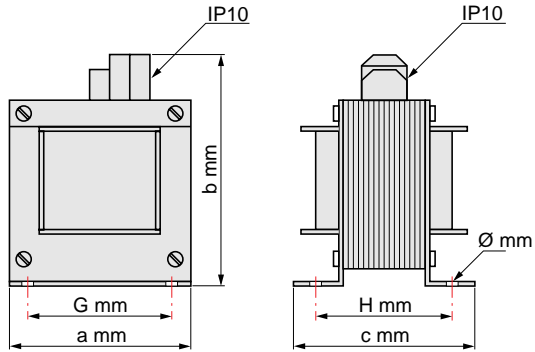
W9 1493675 01 11 A02

 Telemecanique



SQUARE D

GRUPE SCHNEIDER



IP 00

	a	b	c	G	H	Ø
VW3-A58501	108	150	90	80	65	5 x 11
VW3-A58502	108	150	105	80	77	6 x 12

1 inch = 25,4 mm

