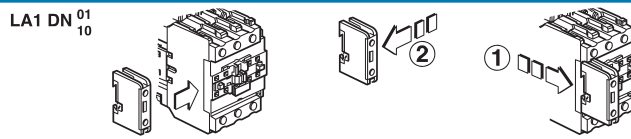
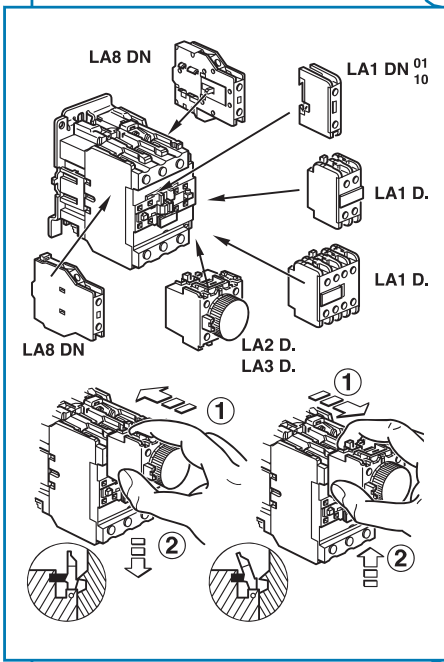
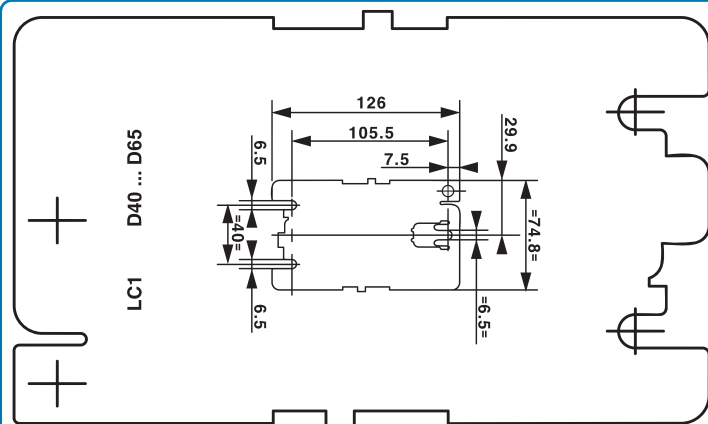
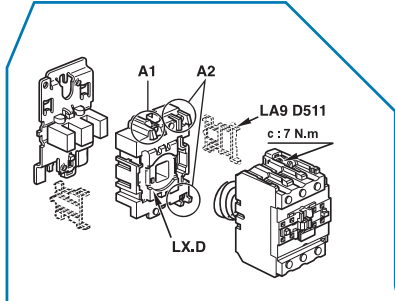
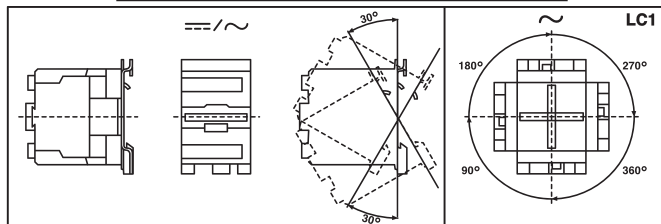


W9 1378249 01 21 A03
www.schneider-electric.com

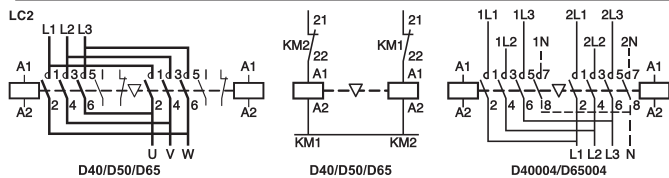
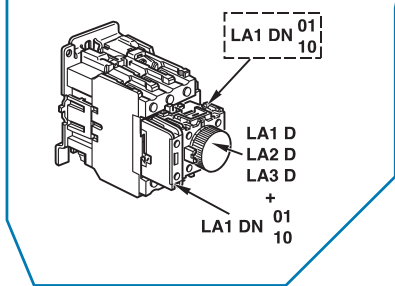


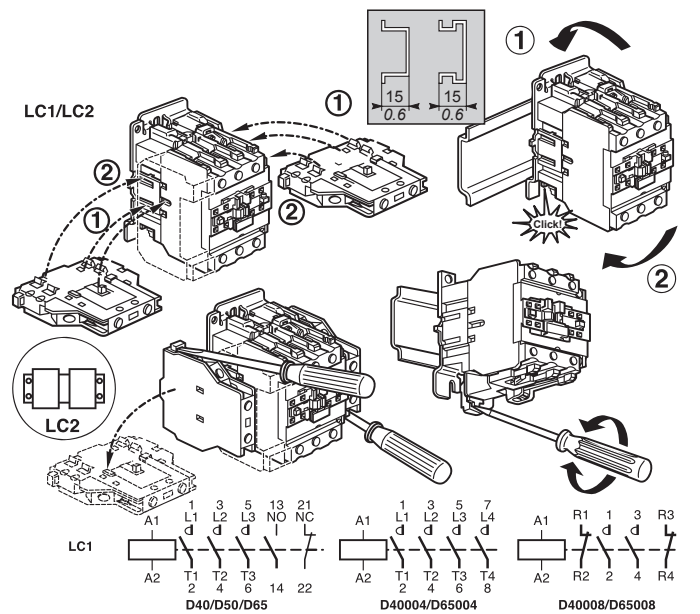
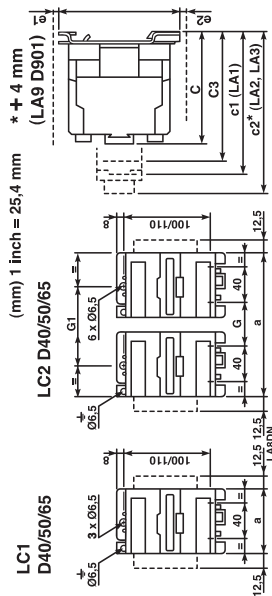
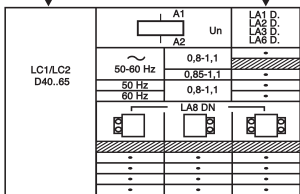
⚠ DANGER
HAZARD OF ELECTRIC SHOCK, EXPLOSION, OR ARC FLASH
Disconnect all power before servicing equipment.
Failure to follow these instructions will result in death or serious injury.

"For Motor Starting Use Schneider Electric Overload Relay Series LR".



	Raccordement mini ... maxi / Wiring min ... max / Anschlüsse min ... max / Connessione min ... max / Capacidad de conexión min ... max						Ligação min ... máx		c		N.m	
	[mm ²]	[mm ²]	[mm ²]	[mm ²]	[mm ²]	[mm ²]	[mm]	[mm]	Phillips			
D40	1...2,5	1...2,5 + 1...2,5	1...4	1...4 + 1...4	1...4	1...4 + 1...4	8	7,5	Ø6	2	1,2	
D50	2,5	2,5...10 + 2,5...10	2,5	2,5...16 + 2,5...16	2,5	2,5...16 + 2,5...16		--	Ø6		5	
D65	25	25	25	25	25	25			Ø6			
LX-D	1...2,5	1...2,5 + 1...2,5	1...4	1...4 + 1...4	1...4	1...4 + 1...4	8	7,5	Ø6	2	1,2	
LA-D	1...2,5	1...2,5 + 1...2,5	1...4	1...4 + 1...4	1...4	1...4 + 1...4	8	7,5	Ø6	2	1,2	





(mm) a	3P	4P
LC1/D40 50 65	75	85
LC2/D40 50 65	165	182

(mm)	2P2R	C3P/4P	C1	C2
LC.D40..65	124	114	146	165

LC2	e1		e2	G		G1	
	3P	4P		3P	4P	3P	4P
D40							
LC2 D50	5	142	133	11	50	57	90
D65							