



Model 132

Safety Information

Important Information

Read these instructions carefully and look at the equipment to become familiar with the device before trying to install, operate, service or maintain it. The following special messages may appear throughout this bulletin or on the equipment to warn of potential hazards or to call attention to information that clarifies or simplifies a procedure.



The addition of either symbol to a “Danger” or “Warning” safety label indicates that an electrical hazard exists which will result in personal injury if the instructions are not followed.



This is the safety alert symbol. It is used to alert you to potential personal injury hazards. Obey all safety messages that follow this symbol to avoid possible injury or death.

DANGER

DANGER indicates a hazardous situation which, if not avoided, will result in death or serious injury.

WARNING

WARNING indicates a hazardous situation which, if not avoided, could result in death or serious injury.

CAUTION

CAUTION indicates a hazardous situation which, if not avoided, could result in minor or moderate injury.

NOTICE

NOTICE is used to address practices not related to physical injury. The safety alert symbol shall not be used with this signal word.

Please Note

Electrical equipment should be installed, operated, serviced, and maintained only by qualified personnel. No responsibility is assumed by ASCO Power Technologies for any consequences arising out of the use of this material.

A qualified person is one who has skills and knowledge related to the construction, installation, and operation of electrical equipment and has received safety training to recognize and avoid the hazards involved.

Introduction

The ASCO Model 132 surge protector is designed for medium exposure applications. The protector can be used on pairs inside a building or leaving the building in conduit up to 500 feet. The ASCO Model 132 is intended to be used in conjunction with the ASCO MGBW Ground Rail and a standard MI-50 Punch Down Block.

⚠ DANGER

HAZARD OF ELECTRIC SHOCK, EXPLOSION, OR ARC FLASH

- Apply appropriate personal protective equipment (PPE) and follow safe electrical work practices. See NFPA 70E, NOM-029-STPS or CSA Z462.
- This equipment must only be installed and serviced by qualified electrical personnel.
- Turn off all power supplying this equipment before working on or inside equipment.
- Always use a properly rated voltage sensing device to confirm power is off.
- Replace all devices, doors and covers before turning on power to this equipment.
- This equipment must be effectively grounded per all applicable codes. Use an equipment-grounding conductor to connect this equipment to the power system ground.

Failure to follow these instructions will result in death or serious injury.

WARNING: This product can expose you to chemicals including DINP, which is known to the State of California to cause cancer, and DIDP which is known to the State of California to cause birth defects or other reproductive harm. For more information go to: www.P65Warnings.ca.gov.



NOTICE

LOSS OF SURGE SUPPRESSION

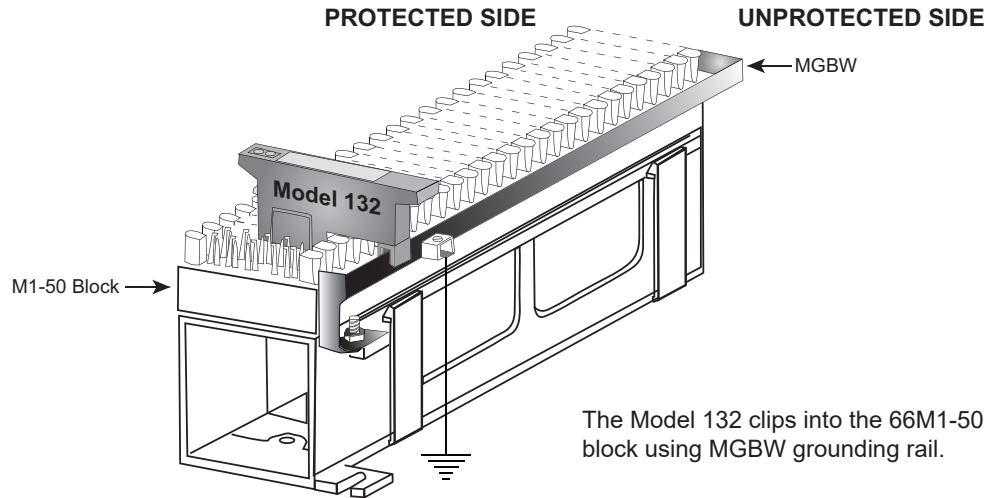
- Make certain that Surge Protective Device is disconnected from the circuit it is protecting before conducting hi-potential insulation testing.

Failure to follow these instructions can result in equipment damage.

General Technical Specification

Operating Voltage	12, 24, 42 VDC
Clamping Voltage	15, 30, 48 VDC
Peak Surge Current	[132D015] 124A (10x1000 μ s) [132D030] 72A (10x1000 μ s) [132D048] 45A (10x1000 μ s)
Max Clamp Voltage @ Peak	[132D015] 25V [132D030] 42V [132D048] 66V
Typical Capacitance	[132D015] 700pf [132D030] 1180pf [132D048] 900pf
Frequency Range	0 to 20 MHz
Insertion loss	< 0.1 dB at 20 MHz
SPD Technology	SAD
Connection Type	Clips to M1-50 Block
Operating Temperature	-40°C to +85°C
Dimensions (in / mm)	1.3 x 0.4 x 2.0 in. [33 x 10.2 x 50.8 mm.]
Weight (oz / kg)	1 oz [0.03 kg]
Certifications	UL 497B
Limited warranty	5 years

Installation Diagram



⚠ DANGER

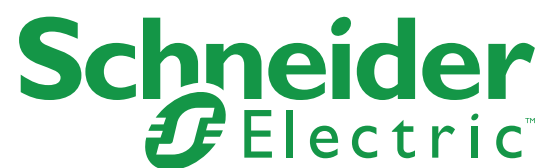
HAZARD OF ELECTRIC SHOCK, EXPLOSION, OR ARC FLASH

- ASCO Model 132 protectors are intended for indoor use on communication loop circuits which have been isolated from the Public Switch Telephone Network.
- Do not expose the communication loop to contact with the electric light or power conductors.
- Install the protectors as per the applicable requirements of the National Electric Code, ANSI/NFPA 70.
- Do not daisy chain grounds. Not intended for shield termination. Install ground in accordance with all applicable codes.

Failure to follow these instructions will result in death or serious injury.

Model Cross Reference

MODEL <i>Former Model Name</i>	APPLICATION
132D015S124SPDN0 <i>Edco OPX-CLN</i>	12 VDC Medium Exposure Applications Call-In Circuit
132D030S072SPDN0 <i>Edco OPX-030</i>	24 VDC Medium Exposure Applications
132D048S045SPDN0 <i>Edco OPX-048</i>	42 VDC Medium Exposure Applications
ACCESSORIES <i>Former Model Name</i>	
MGBW <i>MGBW-LUG</i>	Ground Rail for 66M1-50 Block Installation



14550 58th Street North
Clearwater, Florida 33760

se.com/us/en/work/support
1-888-778-2733

While every precaution has been taken to ensure accuracy and completeness in this literature, Schneider Electric assumes no responsibility, and disclaims all liability for damages resulting from use of this information or for any errors or omissions.

IO-75005 Rev- 02-20