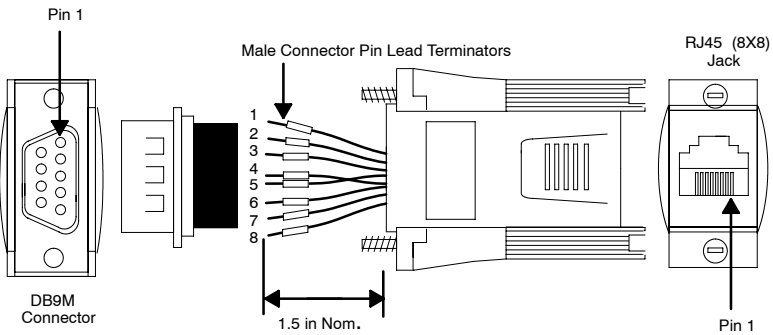


9- and 25-pin Adapter Kits for the Modicon Micro PLCs

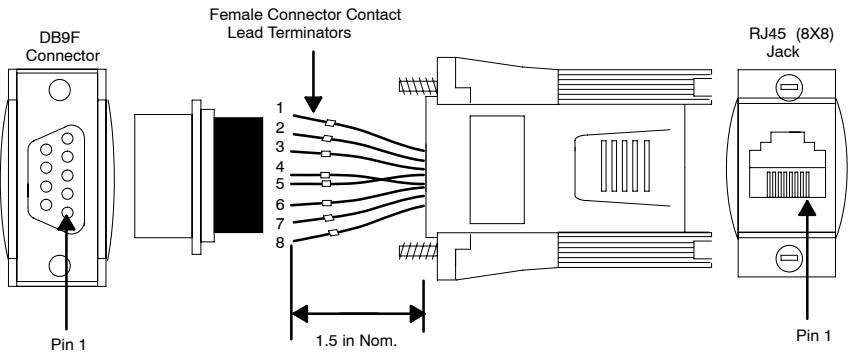
GI-MICR-RY0

This kit contains one of the four following user-configurable cable adapters. 9-pin and 25-pin adapters are available with both male and female connections. They can be used to connect to various ASCII or modem devices to your Modicon Micro PLC. Adapters can be connected to the RJ45 connector on an eight-position communication cable running from one of the PLC's (RS-232) **comm** ports.

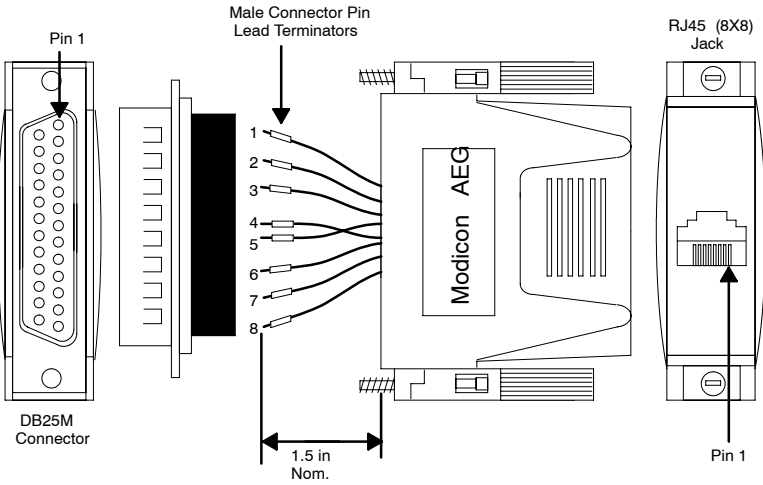
110XCA20301 Male Adapter



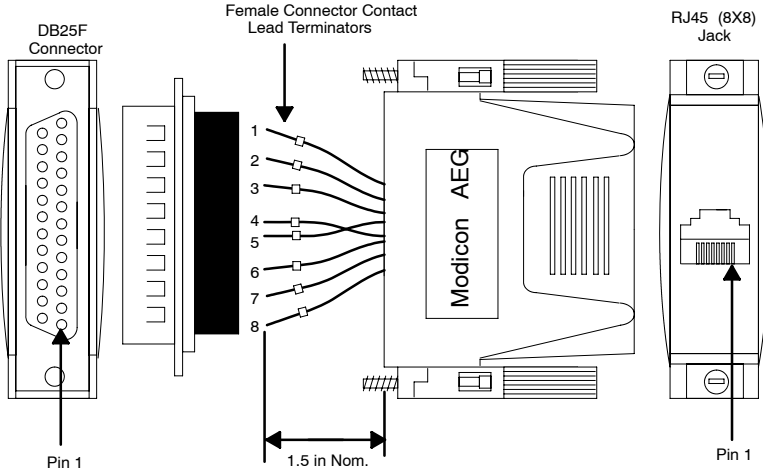
110XCA20302 Female Adapter



110XCA20401 25-Pin Male Adapter



110XCA20402 25-Pin Female Adapter



Pinouts

RS-232 Pinouts for a 25-pin Adapter		
NC	Blue	1*
DSR	Orange	2
TXD	Black	3
RXD	Red	4
GND	Green	5
RTS	Yellow	6
CTS	Brown	7
Chassis GND	White	8

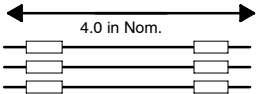
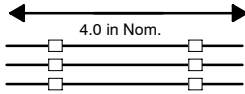
* CAUTION: Pin 1 receives 5 V from the Micro

RS-232 Pinouts for a 9-pin Adapter		
NC	Blue	1*
DSR	Orange	2
TXD	Black	3
RXD	Red	4
GND	Green	5
RTS	Yellow	6
CTS	Brown	7
Chassis GND	White	8

* CAUTION: Pin 1 receives 5 V from the Micro

Accessories

Each kit also includes a wire-pulling tool and three adapter-compatible jumpers.

<p>Provided with the 110XCA20301 9-pin and 110XCA20401 25-pin male Adapters</p>  <p>3 Male-Male Jumpers</p>	<p>Provided with the 110XCA20302 9-pin and 110XCA20402 25-pin female Adapters</p>  <p>3 Female-Female Jumpers</p>
---	---

