

W1-Sized PS Modules

SmartX Controller

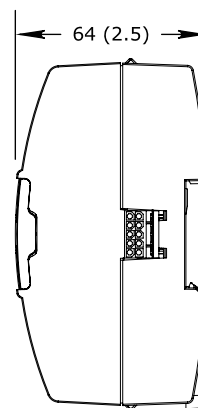
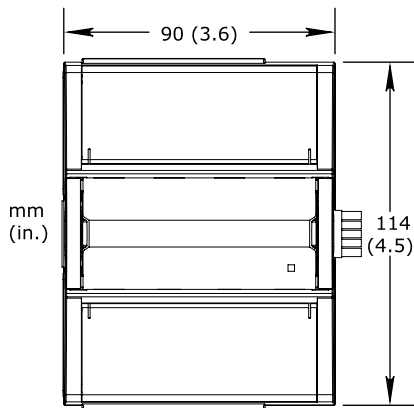
Regulatory Compliance and Safety Information

Electrical equipment should be installed, operated, serviced, and maintained only by qualified personnel. No responsibility is assumed by Schneider Electric for any consequences arising out of the use of this material. Read these instructions and all information relevant for this product carefully before trying to install it. See the list of technical literature. The technical literature and declarations of conformity can be accessed on the Schneider Electric Exchange website, ecobuilding.schneider-electric.com. Contact your local Schneider Electric sales office for hard copy of documentation or for additional information.

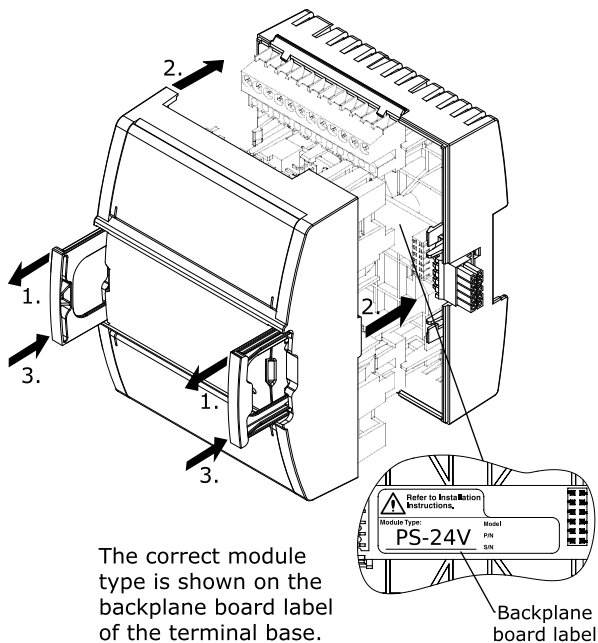
Technical Literature

- SmartX Controller - Hardware Reference Guide, 04-XX001-XX-en
- EcoStruxure Building Management - Smoke Control System Design Guide, 04-16014-XX-en

Dimensions

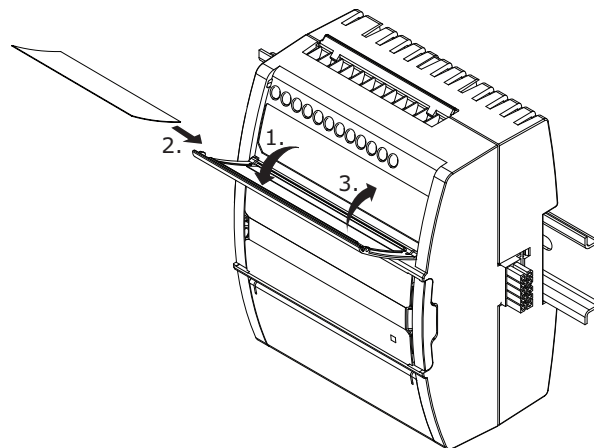


Installing the Module



Warning: Ensure that the module type and the terminal base type match. A mismatch can cause electric shock and damage the module.

Labeling the Module



Smoke Control Application Note

The input power terminals are power-limited per UL 864 requirements. For more information on the use of the PS-24V power supply for a UL 864 smoke control application, see the latest version of the EcoStruxure Building Management - Smoke Control System Design Guide (04-16014-XX-en).

Electronics Module and Terminal Base

Device	Part number
PS-24V Power Supply	SXWPS24VX10001
TB-PS-W1 Terminal Base	SXWTBPSW110001

Specifications

AC input

Nominal voltage

24 VAC \sim 50/60 Hz

Recommended transformer rating

≥60 VA

DC input

Nominal voltage

24 VDC ---

Power consumption

max. 40 W

DC output

Output voltage

24 V \pm 1 V

Output power

max. 30 W

Operation environment

Ambient temperature, operating

0 to 50 °C (32 to 122 °F)

Humidity

Maximum 95 % RH non-condensing

Mechanical

Ingress protection rating

IP 20

Plastic flame rating

UL94-5VB

Electrical

I/O bus power

24 VDC --- max. 30 W per I/O bus power supply, Class 2

Maximum addresses per I/O bus

32

Regulatory compliance

EMC, safety, and environment

FCC CFR 47 Part 15 Class B, ICES-003 Class B, RCM, CE - EMCD 2014/30/EU, WEEE 2012/19/EU, RoHS 2011/65/EU and 2015/863/EU, China RoHS SJ/T 11364-2014, UL 916 Listed products for the United States and Canada, Open Class Energy Management Equipment (UL file E80146.), UL 864 Listed products for the United States, 10th Edition Smoke Control System. (UL file S5527.), UL 294 Recognized Component (UL file BP6537.)

Addendum - California Proposition 65 Warning Statement for California Residents

⚠ WARNING: This product can expose you to chemicals including lead which is known to the State of California to cause cancer and which is known to the State of California to cause birth defects or other reproductive harm. For more information go to www.P65Warnings.ca.gov

部件名称 (Part Name)	有害物质 (Hazardous Substances)					
	铅 (Pb)	汞 (Hg)	镉 (Cd)	六价铬 (Cr (VI))	多溴联苯 (PBB)	多溴二苯醚 (PBDE)
塑料部件 (Plastic Parts)	○	○	○	○	○	○
电子件 (Electronics)	X	○	○	○	○	○

本表格依据 SJ/T11364 的规定编制。(This table is made according to SJ/T 11364.)

○: 表示该有害物质在该部件所有均质材料中的含量均在 GB/T 26572 规定的限量要求以下。

(Indicates that the concentration of hazardous substance in all of the homogeneous materials for this part is below the limit as stipulated in GB/T 26572.)

X: 表示该有害物质至少在该部件的某一均质材料中的含量超出 GB/T 26572 规定的限量要求。

(Indicates that the concentration of hazardous substance in at least one of the homogeneous materials used for this part is above the limit as stipulated in GB/T 26572.)

