

Note! This page is intended as a schematic description of the cable connection between different units, modems and networks.

For more detailed information on the products, please refer to the next page and the respective manuals.

Obs! Denna sida är avsedd att ge en schematisk beskrivning av kabelförbindelsen mellan olika enheter, modem och nätverk.

För mer detaljerad information om produkterna, hänvisar vi till omstående sida och respektive manualer.

Connectivity Kits / Anslutningssatser

Note: Kits containing an emission damper (see next page) shall have this clamped around the cable.

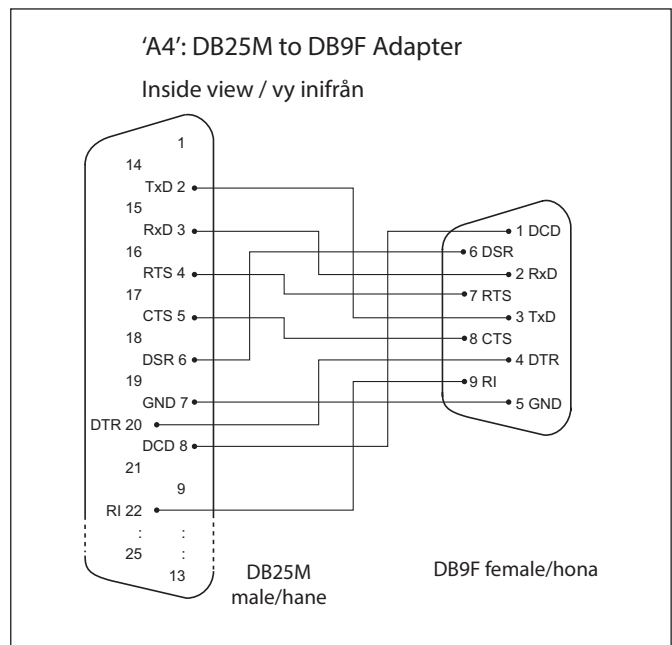
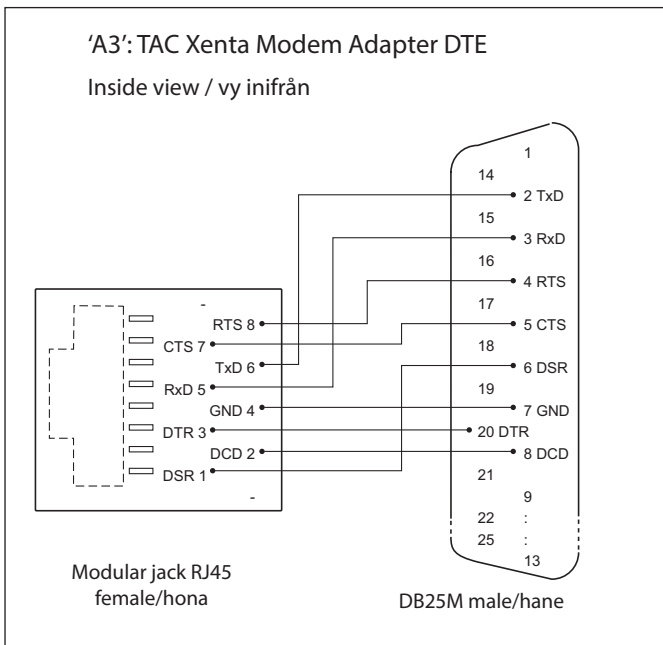
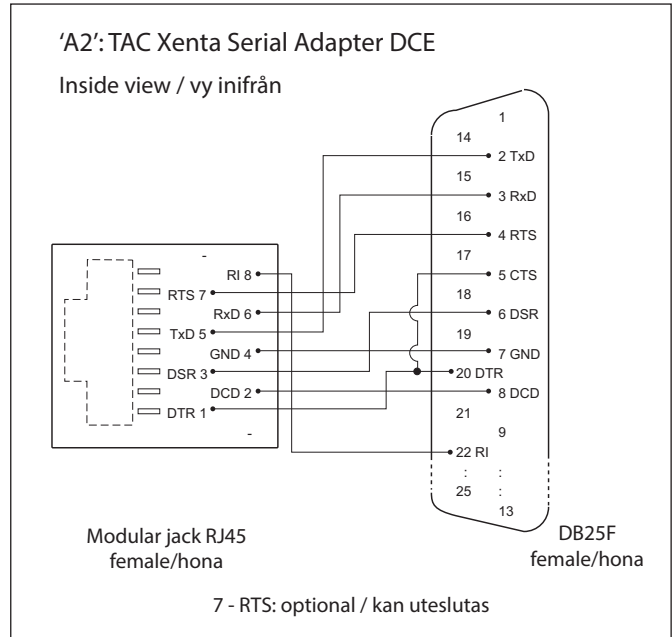
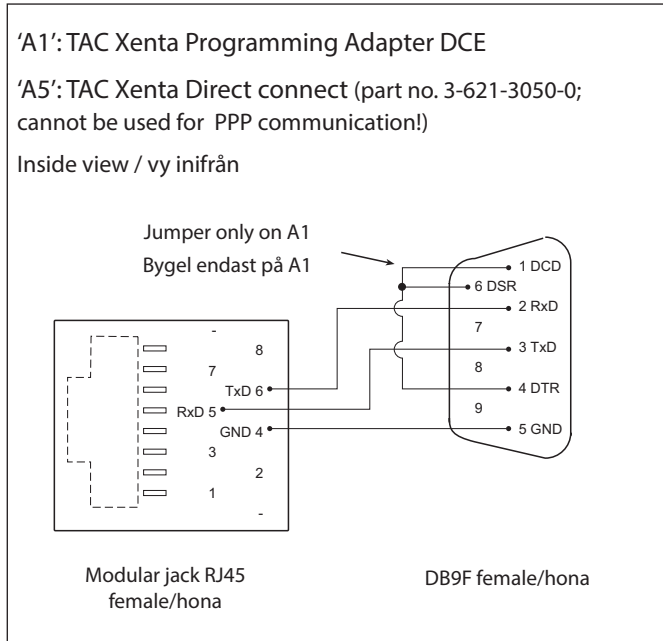
TAC Xenta: Programming Serial Kit,		part no. 007309200
Applicable units	Usage (example)	Contents
TAC Xenta 300/401/901 port RS232, cable 'L1' to PC	TAC Menta / TAC Vista direct connection for application/configuration and download.	Adapter 'A1' Cables 'L1', 'L3' (see next page)
TAC Xenta 511/911 port RS232 B, cable 'L3' to PC	Configuration and commissioning, with the PC HyperTerminal.	
TAC Xenta: PC to Serial Kit,		part no. 007309170
Applicable units	Usage (example)	Contents
TAC Xenta 300/401/901 port RS232	TAC Vista direct connection.	Adapters 'A2', 'A4' Cable 'L1' (see next page)
TAC Xenta (511/) 911 port RS232 A	PC (TAC Menta, TAC Vista, InTA 2000, DM 2000) to TAC Xenta serial communication.	
TAC 2000 to TAC Xenta 911 port RS232 A	InTA 2000 over TCP/IP network. Note! Serial signal amplifier is also required at TAC 2000 unit! (Ex.: RAD, type PSA.)	
TAC Xenta: Serial Link Kit,		part no. 007309180
Applicable units	Usage (example)	Contents
TAC Xenta 300/401/901 port RS232, connected to	TAC Xenta connected to	Cable 'L2' (see next page)
TAC Xenta 911 port RS232 A	TAC Xenta 911 for IP communication.	
TAC Xenta: General Serial Kit,		part no. 007309190
Applicable units (example)	Usage (example)	Contents
ADU-L/KE-2/6505/5702/5708/PLB/ Danfoss GW-M/Danfoss Danduc connected to	TAC other units / Danfoss unit connected to TAC Xenta 911 for IP communication.	Adapter 'A2' Cable 'L1' (see next page)
TAC Xenta 911 port RS232 A	Note! The modem connection cable for the selected unit is also required.	
TAC Xenta: Modem Connect Kit,		part no. 007309160
Applicable units	Usage (example)	Contents
TAC Xenta 300/401/901 port RS232	TAC Xenta to external modem communication.	Adapter 'A3' Cable 'L1' (see next page)
TAC Xenta 511 (/ 911) port RS232 A	For PPP connection.	

Addendum - California Proposition 65 Warning Statement for California Residents

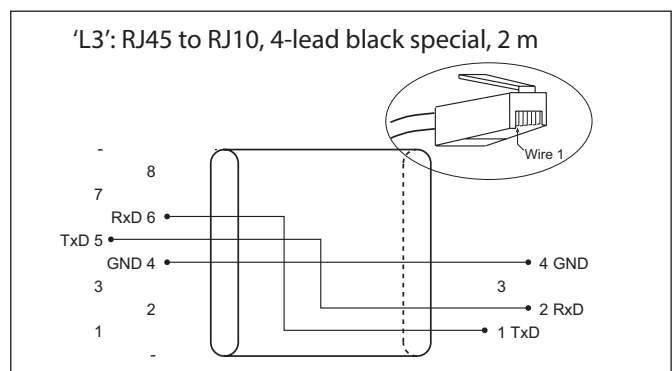
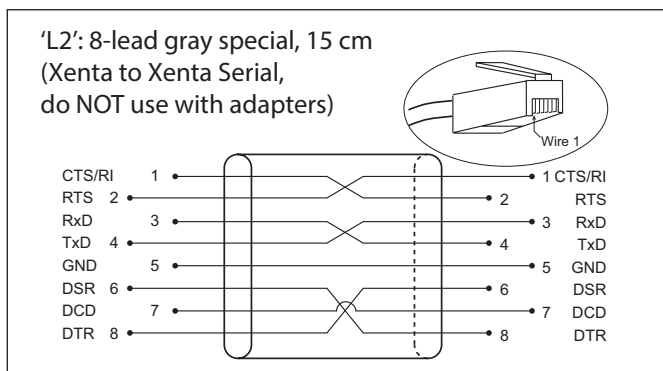
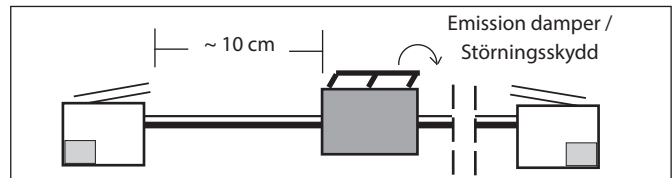
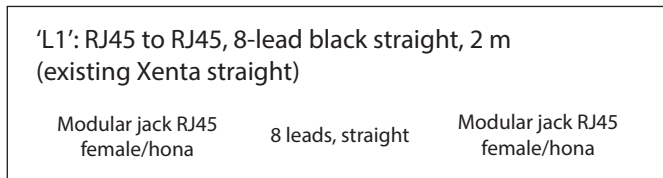


WARNING: This product can expose you to chemicals including lead which is known to the State of California to cause cancer and which is known to the State of California to cause birth defects or other reproductive harm. For more information go to www.P65Warnings.ca.gov

Adapters (description) / Anpassningsenheter (beskrivning)



Cables (description) / Kablar (beskrivning)



For more information visit

www.schneider-electric.com/buildings