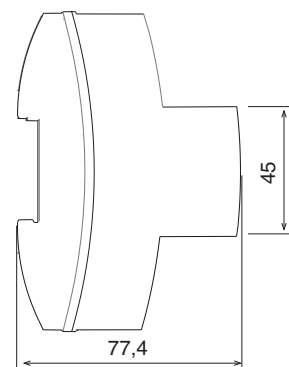
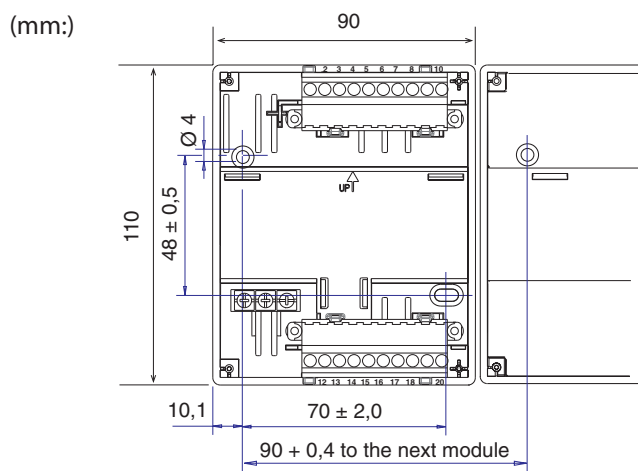


Observera! Figuren visar endast generella inkopplingar. För detaljer, se dokumentationen till de specifika applikationerna.

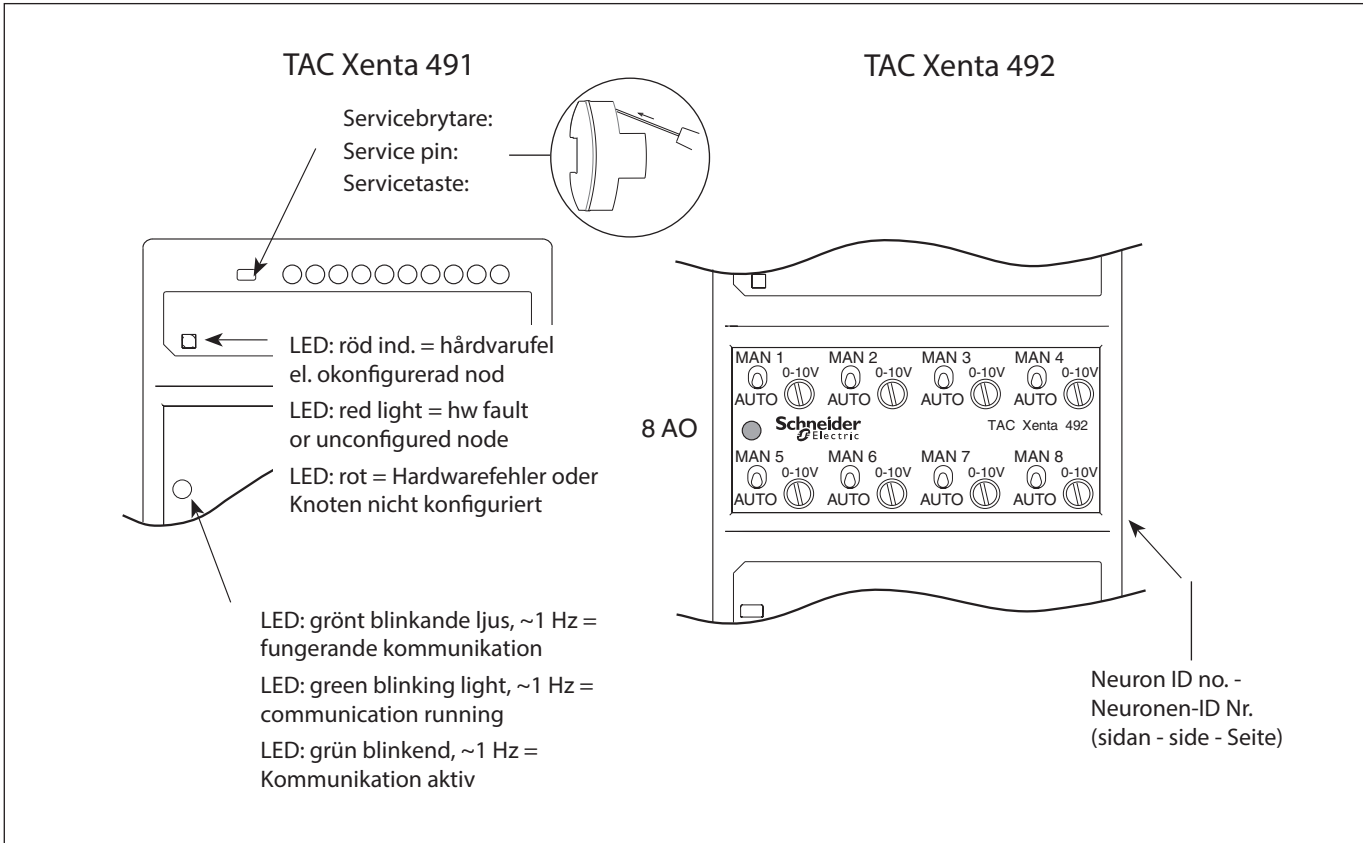
Note! The figure only shows connections in general. For further details, please refer to the documentation on the specific applications.

Anmerkung! Die Abbildung zeigt lediglich die allgemeine Klemmenbelegung. Weitere Einzelheiten gehen aus der Dokumentation der Anwendung hervor.



Blocktyper i TAC Menta Block types in TAC Menta Blocktypen in TAC Menta	Plintbeteckn. Terminal ref. Klemmenbez.	In/utg.-slag Type of I/O E/A-Typ
AO - Analoga utgångar	Y1 - Y8	Analog utgång
AO - Analog outputs	Y1 - Y8	Analog output
AO - Analogausgänge	Y1 - Y8	Analogausgang

Antal No. Anz	Typ Type Typ	Plintbeteckn. Terminal ref. Klemmenbez.	Manöver Xenta 492 Override Xenta 492 Schalter Xenta 492
8	Analoga utg.	Y1 - Y8	MAN - AUTO
8	Analog outputs	Y1 - Y8	MAN - AUTO
8	Analogausgänge	Y1 - Y8	MAN - AUTO



Addendum - California Proposition 65 Warning Statement for California Residents



WARNING: This product can expose you to chemicals including lead which is known to the State of California to cause cancer and which is known to the State of California to cause birth defects or other reproductive harm. For more information go to www.P65Warnings.ca.gov

部件名称 (Part Name)	有害物质 (Hazardous Substances)					
	铅 (Pb)	汞 (Hg)	镉 (Cd)	六价铬 (Cr (VI))	多溴联苯 (PBB)	多溴二苯醚 (PBDE)
塑料部件 (Plastic Parts)	○	○	○	○	○	○
电子件 (Electronics)	X	○	○	○	○	○

本表格依据 SJ/T11364 的规定编制。(This table is made according to SJ/T 11364.)

○: 表示该有害物质在该部件所有均质材料中的含量均在 GB/T 26572 规定的限量要求以下。

(Indicates that the concentration of hazardous substance in all of the homogeneous materials for this part is below the limit as stipulated in GB/T 26572.)

X: 表示该有害物质至少在该部件的某一均质材料中的含量超出 GB/T 26572 规定的限量要求。

(Indicates that the concentration of hazardous substance in at least one of the homogeneous materials used for this part is above the limit as stipulated in GB/T 26572.)



Schneider
Electric

For more information visit

www.schneider-electric.com/buildings