

### Addendum - California Proposition 65 Warning Statement for California Residents



**WARNING:** This product can expose you to chemicals including lead which is known to the State of California to cause cancer and which is known to the State of California to cause birth defects or other reproductive harm. For more information go to [www.P65Warnings.ca.gov](http://www.P65Warnings.ca.gov)

部件名称 (Part Name)	有害物质 (Hazardous Substances)					
	铅 (Pb)	汞 (Hg)	镉 (Cd)	六价铬 (Cr (VI))	多溴联苯 (PBB)	多溴二苯醚 (PBDE)
塑料部件 (Plastic Parts)	○	○	○	○	○	○
电子件 (Electronics)	X	○	○	○	○	○

本表格依据 SJ/T11364 的规定编制。(This table is made according to SJ/T 11364.)

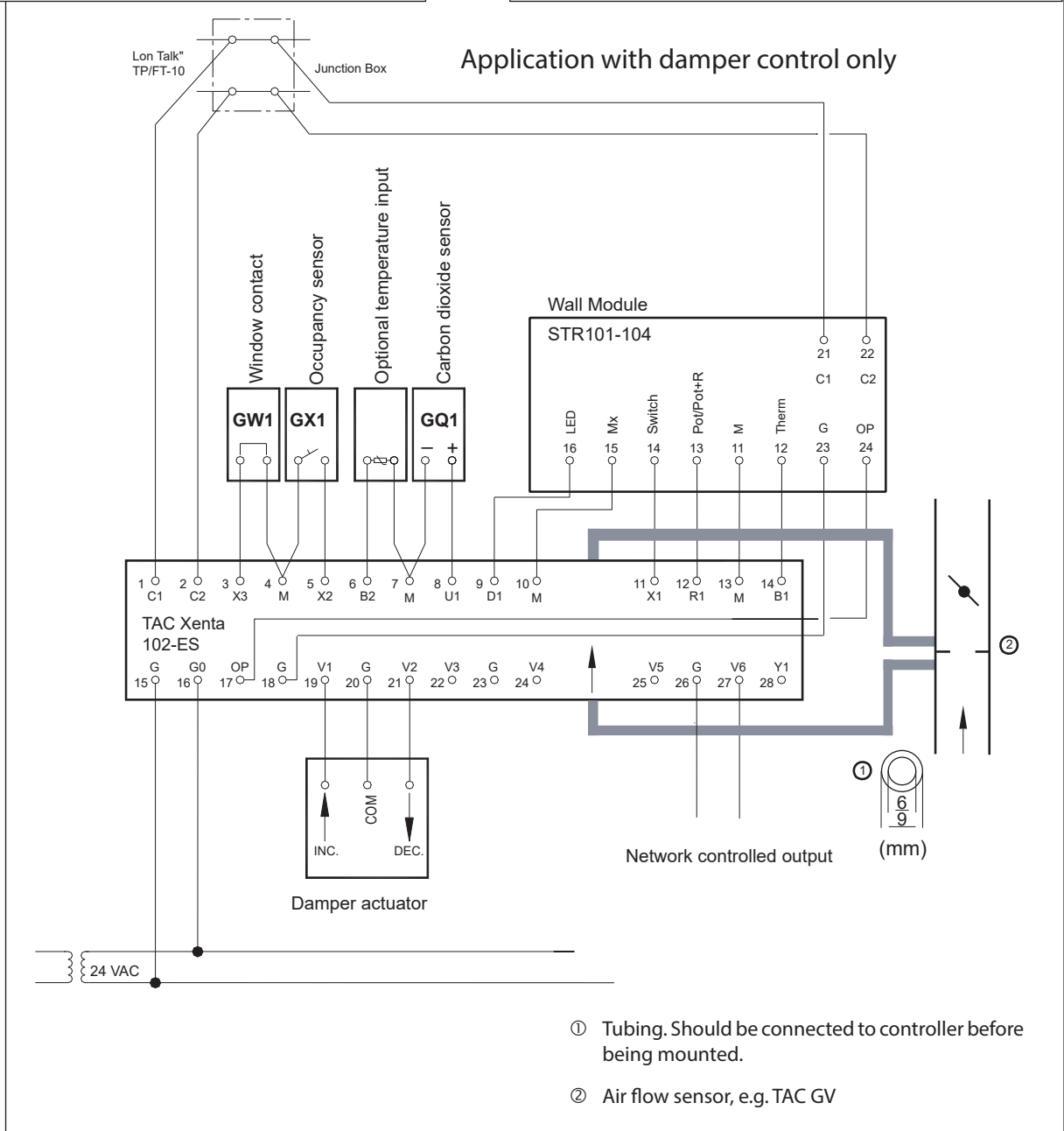
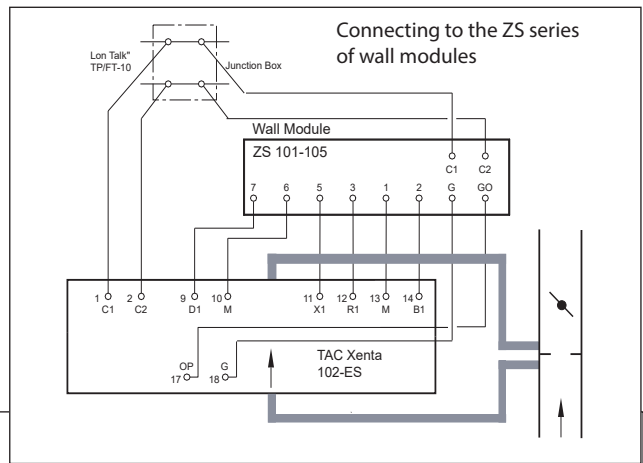
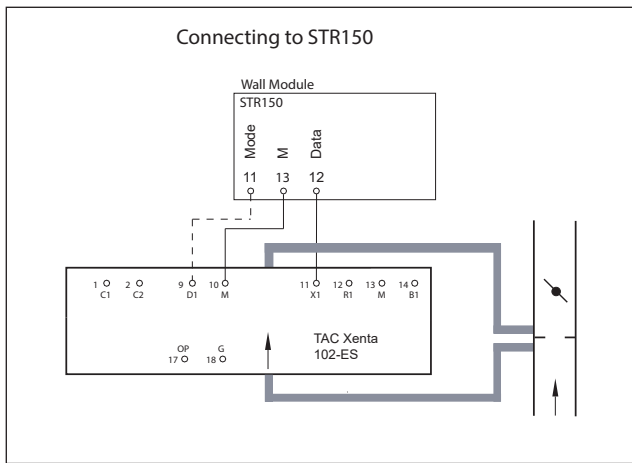
○: 表示该有害物质在该部件所有均质材料中的含量均在 GB/T 26572 规定的限量要求以下。

(Indicates that the concentration of hazardous substance in all of the homogeneous materials for this part is below the limit as stipulated in GB/T 26572.)

X: 表示该有害物质至少在该部件的某一均质材料中的含量超出 GB/T 26572 规定的限量要求。

(Indicates that the concentration of hazardous substance in at least one of the homogeneous materials used for this part is above the limit as stipulated in GB/T 26572.)

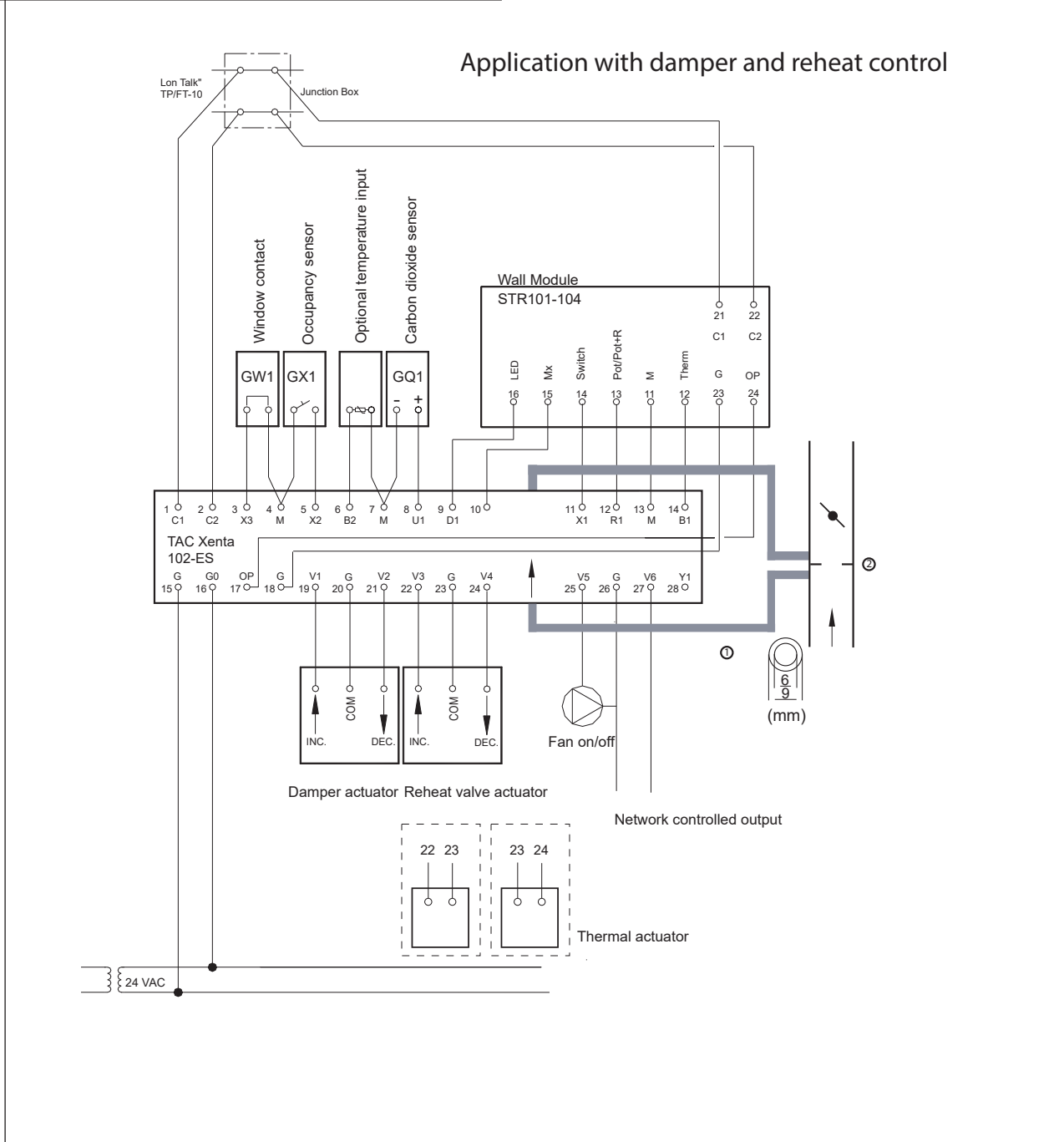
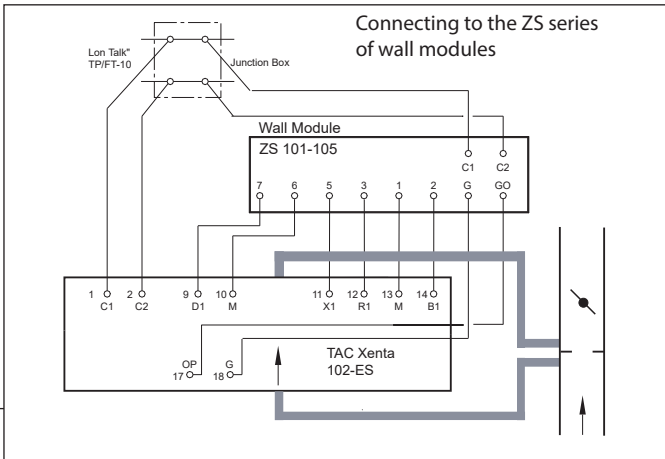
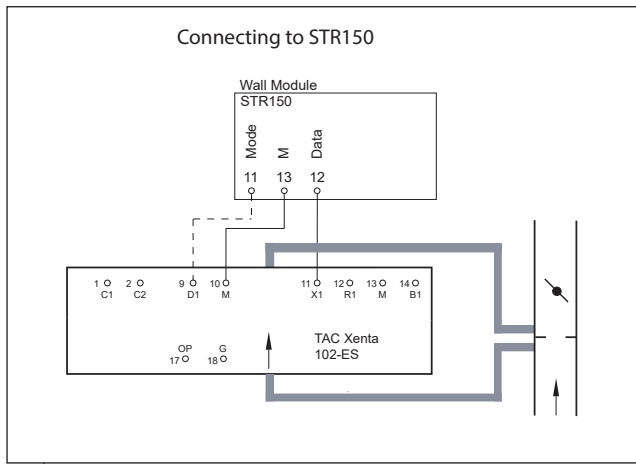




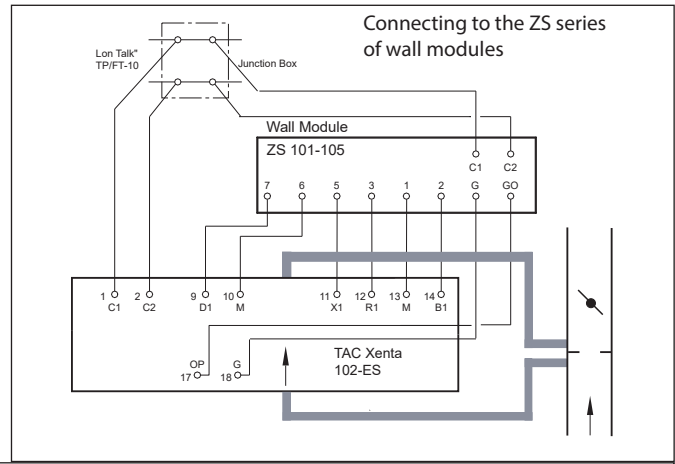
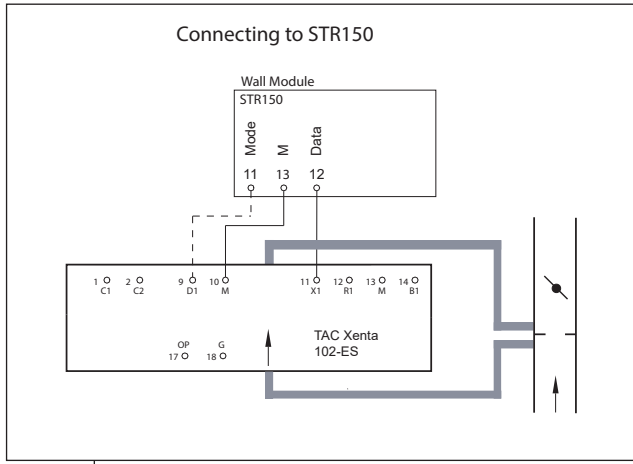
Secure the cables to the controller by e.g. clamps. Connect the 24 V AC supply G–G and G0–G0 in all units, when a common transformer is used. This does not apply to G0 in the wall module. The G0 terminals must be grounded at the transformer end. Use a maximum 6 A fuse for each controller or each group of controllers. Do not connect G0 and M. For information on communication cable lengths, please refer to the Xenta Network Guide, 0-004-7460. Other cable lengths: max 30 m, min 0,7 mm<sup>2</sup> (AWG-19).

For more information visit

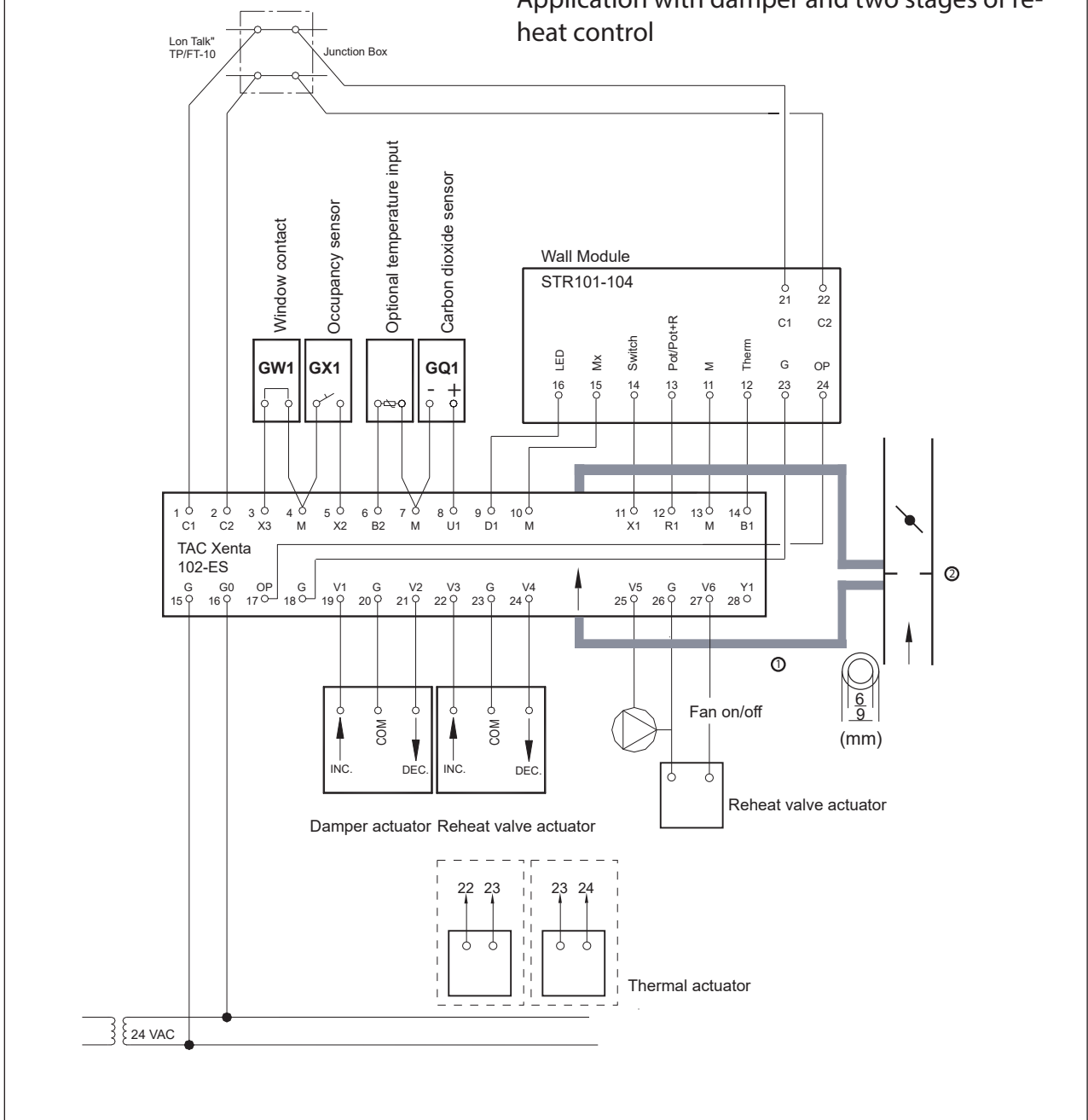
[www.schneider-electric.com/buildings](http://www.schneider-electric.com/buildings)



- ① Tubing. Should be connected to controller before being mounted.
- ② Air flow sensor, e.g. TAC GV



## Application with damper and two stages of re-heat control



For more information visit

[www.schneider-electric.com/buildings](http://www.schneider-electric.com/buildings)