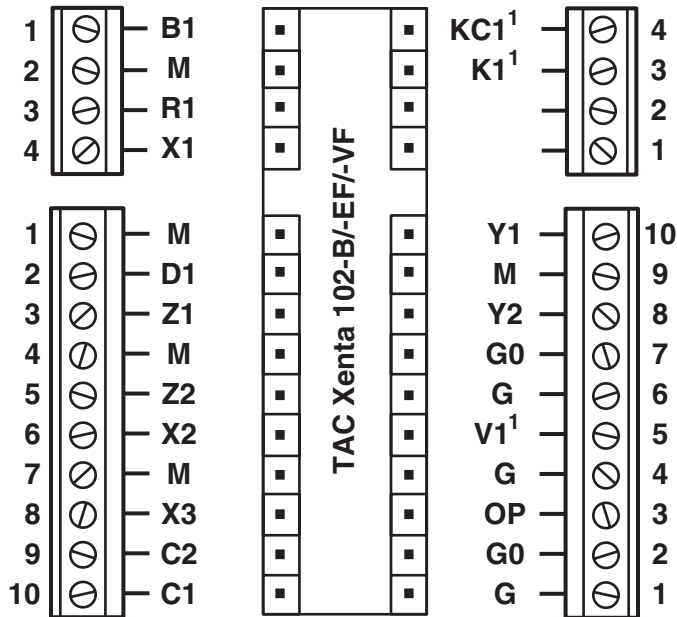
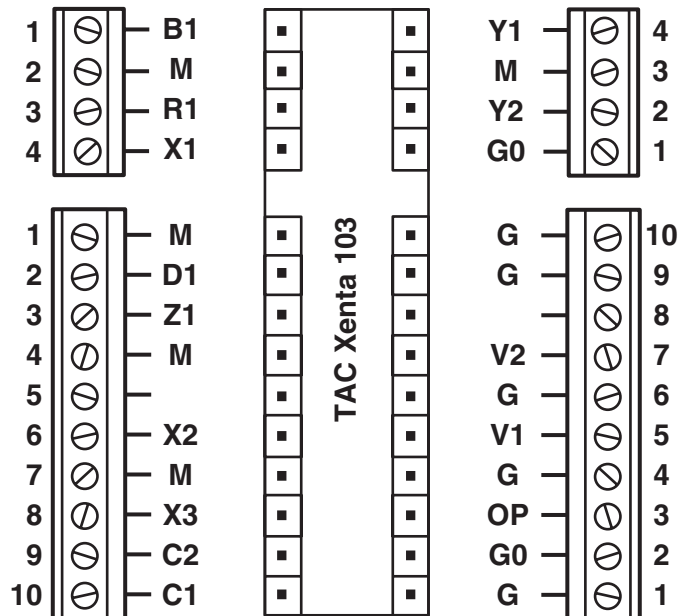


**TAC Xenta 102-B**  
**TAC Xenta 102-EF**  
**TAC Xenta 102-VF**

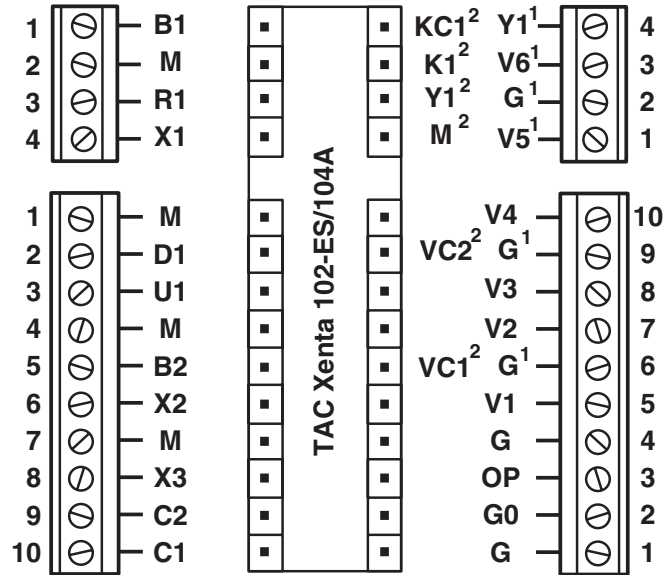


<sup>1</sup>TAC Xenta 102-EF, -VF

**TAC Xenta 103**



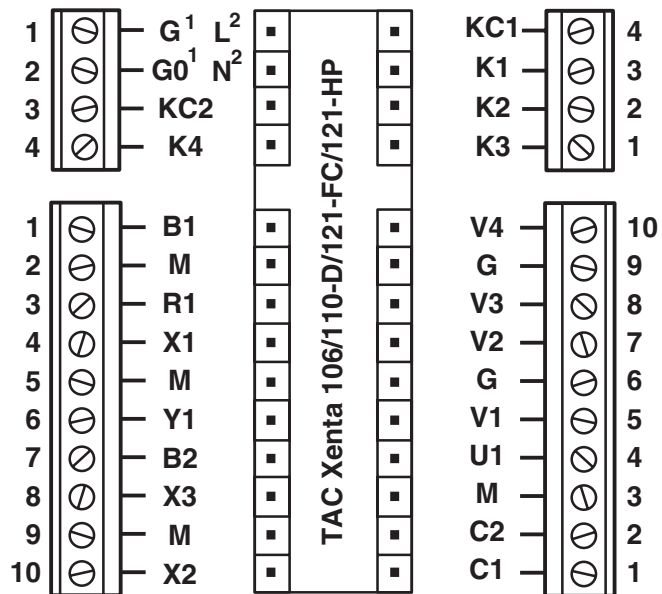
TAC Xenta 102-ES  
TAC Xenta 104-A



<sup>1</sup>TAC Xenta 102-ES

<sup>2</sup>TAC Xenta 104-A

TAC Xenta 106/24, 106/230  
TAC Xenta 110-D//24, 110-D//230  
TAC Xenta 121-FC/24, 121-FC/230  
TAC Xenta 121-HP/24, 121-HP/230



<sup>1</sup>TAC Xenta ---/24 VAC

<sup>2</sup>TAC Xenta ---/230 VAC

**Addendum - California Proposition 65 Warning Statement for California Residents**



**WARNING:** This product can expose you to chemicals including lead which is known to the State of California to cause cancer and which is known to the State of California to cause birth defects or other reproductive harm. For more information go to [www.P65Warnings.ca.gov](http://www.P65Warnings.ca.gov)

For more information visit

[www.schneider-electric.com/buildings](http://www.schneider-electric.com/buildings)