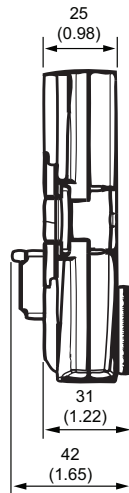
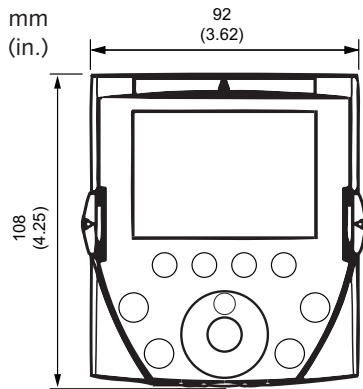
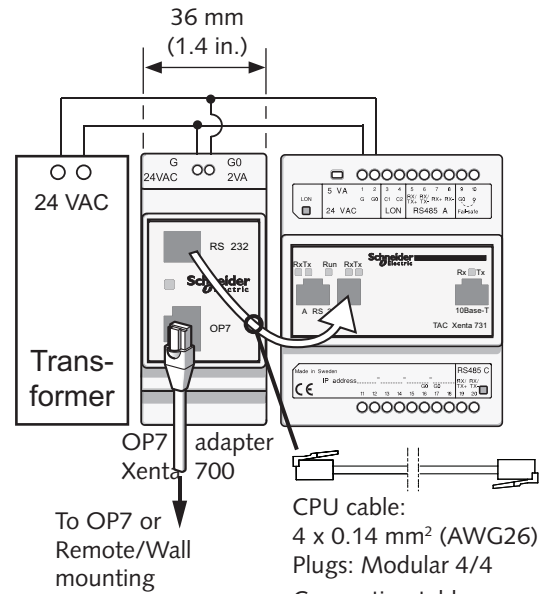


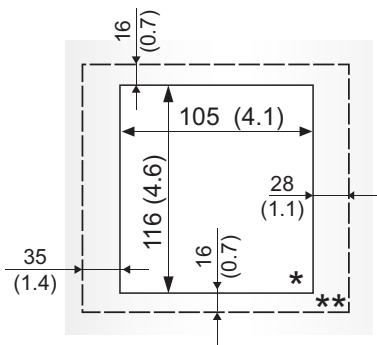
Dimensions



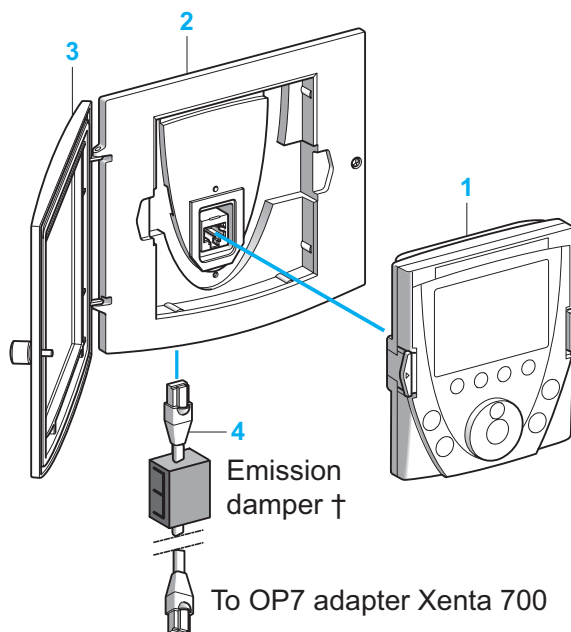
Adapter Connection



Remote (Cabinet door) Mounting and Connection



* Cut-out, and
** required area; mm (in.)



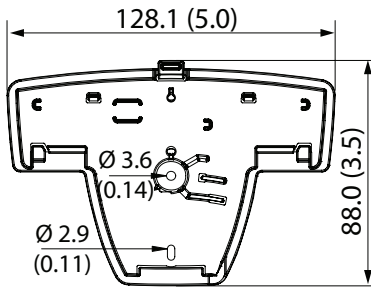
1. TAC OP7
2. Remote mounting kit
3. Door IP 65
4. Remote cables 2 RJ45

† Emission damper is supplied with the OP7 adapter Xenta 700. Mount close to OP7!

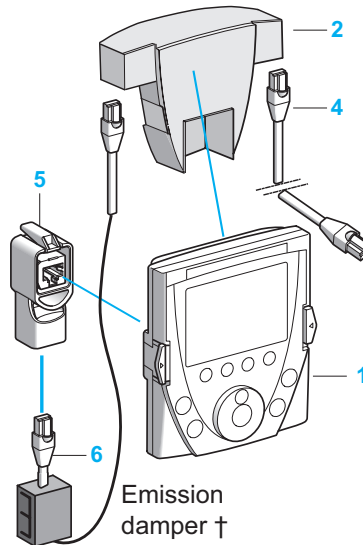


AAV8125802

Wall Mounting and Connection



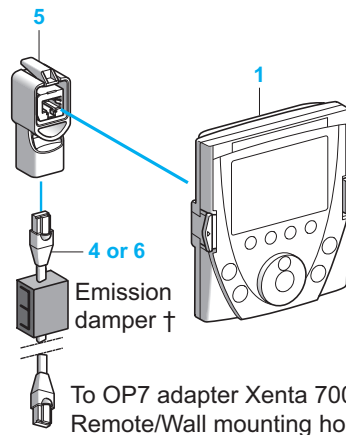
- Clean the wall and mounting kit rear surfaces with the enclosed Surface Cleaner.
- Attach the mounting kit to the wall using the self-adhesive strips.
- Alternatively, secure the back of the kit with suitable screws.



To OP7 adapter
Xenta 700

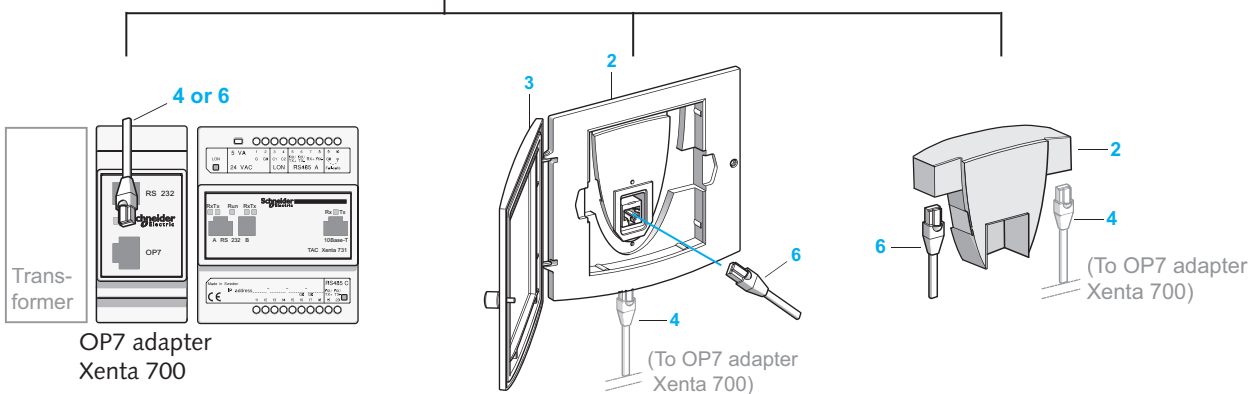
1. TAC OP7
2. Wall mounting kit
3. -
4. Remote cables 2 RJ45
5. RJ45 female/female adapter
6. Additional Remote cables 2 RJ45

Handheld terminal



1. TAC OP7
2. Remote/Wall mounting kit
3. Door IP 65
4. Remote cables 2 RJ45
5. RJ45 female/female adapter
6. Additional Remote cables 2 RJ45

† Emission damper is supplied with the OP7 adapter Xenta 700. Mount close to OP7!



Addendum - California Proposition 65 Warning Statement for California Residents



WARNING: This product can expose you to chemicals including lead which is known to the State of California to cause cancer and which is known to the State of California to cause birth defects or other reproductive harm. For more information go to www.P65Warnings.ca.gov

部件名称 (Part Name)	有害物质 (Hazardous Substances)					
	铅 (Pb)	汞 (Hg)	镉 (Cd)	六价铬 (Cr (VI))	多溴联苯 (PBB)	多溴二苯醚 (PBDE)
塑料部件 (Plastic Parts)	○	○	○	○	○	○
电子件 (Electronics)	X	○	○	○	○	○

本表格依据 SJ/T11364 的规定编制。 (This table is made according to SJ/T 11364.)

○: 表示该有害物质在该部件所有均质材料中的含量均在 GB/T 26572 规定的限量要求以下。

(Indicates that the concentration of hazardous substance in all of the homogeneous materials for this part is below the limit as stipulated in GB/T 26572.)

X: 表示该有害物质至少在该部件的某一均质材料中的含量超出 GB/T 26572 规定的限量要求。

(Indicates that the concentration of hazardous substance in at least one of the homogeneous materials used for this part is above the limit as stipulated in GB/T 26572.)

