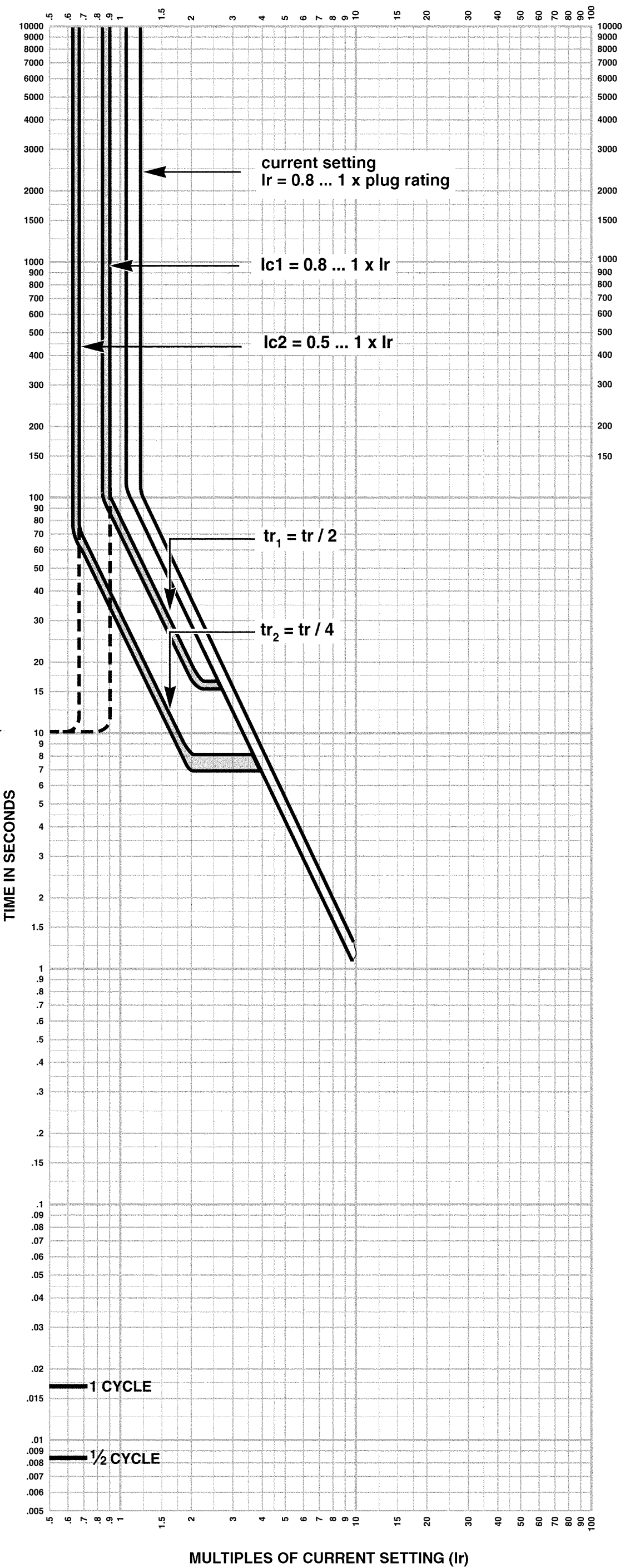




MULTIPLES OF CURRENT SETTING (I_r)



MASTERPACT UNIVERSAL POWER CIRCUIT BREAKER
CHARACTERISTIC TRIP CURVE NO. 632-12

CIRCUIT BREAKER INFORMATION

Circuit Breaker Prefix	Sensor
Masterpact STR58U	250-6300

This curve is to be used for application and coordination purposes only. The **EZ-AMP** overlay feature at the bottom of the page should be used during coordination studies.

All time/current characteristic curve data is based on 40°C ambient cold start. Terminations are made with conductors of appropriate length and ratings.

