

Sarix® IM10LW Series IP Mini Domes with SureVision

INDOOR, 1.2 MPX, H.264, WDR, AND LOW-LIGHT PERFORMANCE

Product Features

- Up to 1.2 Megapixel (MPx) Resolution (1280 x 960)
- Up to 30 Images per Second (ips) at 1280 x 720
- Advanced Low-Light Capability
- Wide Dynamic Range with Anti-Bloom Technology
- Day/Night with Mechanical IR Cut Filter
- Compact Size with 3-Inch Bubble
- Auto Focus Varifocal 2.8 ~ 10 mm Megapixel Lens
- Easy Installation
- H.264 and MJPEG Compression
- Sensitivity Down to 0.0013 lux
- Line-in and Line-out Audio with Built-in Microphone
- Power over Ethernet (PoE), IEEE 802.3af Class 2
- Up to 2 Simultaneous Video Streams
- Web Viewing
- Open IP Standards

The **Sarix® IM10LW Series** is a 1.2 MPx IP indoor fixed dome camera designed with SureVision technology. SureVision seamlessly delivers advanced low-light capability, wide dynamic range (WDR), and anti-bloom technology for industry-leading image quality. The network indoor fixed camera includes a mechanical IR cut filter and anti-bloom technology for increased sensitivity in low-light installations. Anti-bloom technology adjusts the image to create the best picture when a bright light source is introduced in a dark scene, for example the glaring head lights of nighttime traffic.

Sarix technology defines the next generation of video security imaging performance, delivering high definition (HD) resolution, advanced low-light capabilities, consistent color science, and fast processing power. The H.264 compression video files are considerably smaller making HD video more affordable.

Fixed Dome Camera

The **IM10LW Series** contains an integrated varifocal 2.8 ~ 10 mm megapixel autofocus lens. All models include a camera in a compact indoor enclosure that is ready to install.

The **IM10LW Series** supports two simultaneous video streams. The two streams can be compressed in MJPEG and H.264 formats across several resolution configurations. The streams can be configured in a variety of frame rates, bit rates, and group of pictures (GOP) structures for additional bandwidth administration.

Built-In Analytics



by **Schneider** Electric



- Adaptive Motion Detection
- ONVIF v1.02 Conformant

The **Pelco Camera Sabotage** and **Adaptive Motion Detection** behaviors are standard features of the IM10LW Series. **Camera Sabotage** detects contrast changes in the field of view. An alarm is triggered if the lens is obstructed with spray paint, a cloth, or covered with a lens cap. **Adaptive Motion Detection** tracks objects that enter the field of view and triggers an alarm when an object enters a user-defined zone.

Web Interface

The **IM10LW Series** uses a standard Web browser for powerful remote setup and administration.

Window Blanking

Window blanking is used to conceal user-defined privacy areas that cannot be viewed by an operator. The **IM10LW Series** supports up to four blanked windows. A blanked area will appear on the screen as a solid gray window.

Video Systemization

The **IM10LW Series** easily connects to Pelco IP and hybrid systems such as Endura® version 2.0 (or later), Digital Sentry® version 7.3 (or later), and Digital Sentry NVs. The camera also features open architecture connectivity to third-party software. Pelco offers an application programming interface (API) and software developer's kit (SDK) that enables third-party systems to interface with Pelco's IP cameras.



International Standards
Organization Registered Firm;
ISO 9001 Quality System

C2994 / REVISED 3-20-12

TECHNICAL SPECIFICATIONS

GENERAL

Imaging Device	1/3-inch
Imager Type	CMOS
Imager Readout	Progressive scan
Maximum Resolution	1280 x 960
Signal-to-Noise Ratio	50 dB
Auto Iris Lens Type	DC drive
Electronic Shutter Range	1 ~ 1/77,000 sec
Wide Dynamic Range	120 dB*
White Balance Range	2,000° to 10,000°K
Sensitivity	f/1.2; 2,850°K; SNR >20 dB
Color (1x/33 ms)	0.10 lux
Color SENS (15x/500 ms)	0.005 lux
Mono (1x/33 ms)	0.05 lux
Mono SENS (15x/500 ms)	0.0013 lux
Dome Attenuation	
Clear	Zero light loss
Smoked	f/1.0 light loss
Construction	
Back-box	Cast aluminum and polycarbonate plastic
Trim ring	Polycarbonate plastic
Bubble	Acrylic plastic
Finish	White/Black
Weight	
Unit	0.35 kg (0.77 lb)
Shipping	0.91 kg (2.00 lb)
Available Languages	Chinese, English, French, German, Italian, Portuguese, Russian, Spanish, and Turkish

ELECTRICAL


Port	RJ-45 connector for 100Base-TX Auto MDI/MDI-X
Cable Type	Cat5 or better for 100Base-TX
Power Input	PoE (IEEE 802.3af class 2)
Power Consumption†	3.9 W nominal
Service Port	External 3-connector, 2.5 mm provides NTSC/PAL video output
Accessory Port	Connects Pelco accessories
Audio	
Streaming	Bidirectional: full or half duplex
Input/Output	Line level/external microphone input; 600-ohm differential, 1 Vp-p max signal level; built-in microphone
Compression	G.711 PCM 8 bit, 8 kHz mono at 64 kbit/s

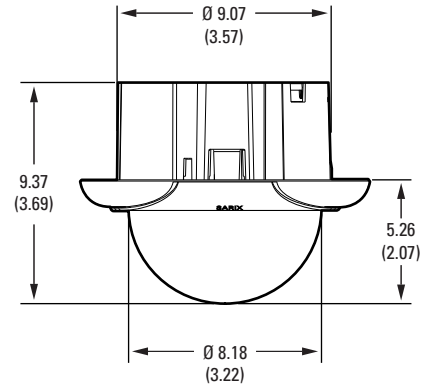
MECHANICAL

Pan/Tilt Adjustment	Manual
Pan	355°
Tilt	180°
Rotate	220°

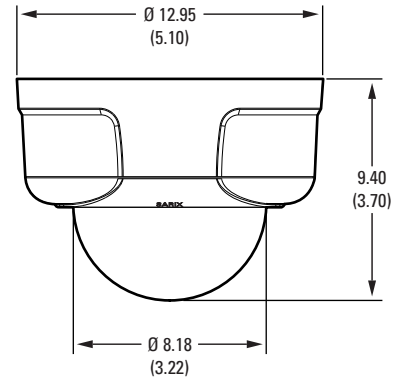
ENVIRONMENTAL

Operating Temperature	0° to 50°C (32° to 122°F)
Operating Humidity	20% to 80%, noncondensing

 NOTE: VALUES IN PARENTHESES ARE INCHES;
ALL OTHERS ARE CENTIMETERS.



IN-CEILING



SURFACE MOUNT (MOUNTING RING INCLUDED)



COMPACT SIZE. EASY TO INSTALL.

*Sensor level; not inclusive of SureVision image processing.

†Does not include optional accessories connected to the accessory port.

TECHNICAL SPECIFICATIONS

VIDEO

Video Encoding	H.264 Base profile and MJPEG
Video Streams	Up to 2 simultaneous streams; the second stream is variable based on the setup of the primary stream
Frame Rate	Up to 30, 25, 24, 15, 12.5, 12, 10, 8, 7.5, 6, 5, 4, 3, 2, 1 (dependent upon coding, resolution, and stream configuration)

Available Resolutions	Resolution				MJPEG		H.264 Base Profile	
	MPx	Width	Height	Aspect Ratio	Maximum IPS	Recommended Bit Rate	Maximum IPS	Recommended Bit Rate
	1.2	1280	960	4:3	20 ips	9.8 Mbps	8.0 ips	2.4 Mbps
	0.9	1280	720	16:9	30 ips	10.0 Mbps	12.5 ips	2.5 Mbps
	0.5	800	600	4:3	30 ips	5.8 Mbps	25 ips	2.0 Mbps
	0.3	640	480	4:3	30 ips	3.7 Mbps	30 ips	1.6 Mbps
	0.1	320	240	4:3	30 ips	0.9 Mbps	30 ips	0.4 Mbps

Additional Resolutions 640 x 512, 640 x 352, 480 x 368, 480 x 272, 320 x 256, and 320 x 176

Supported Protocols TCP/IP, UDP/IP (Unicast, Multicast IGMP), UPnP, DNS, DHCP, RTP, RTSP, NTP, IPv4, SNMPv2c/v3, QoS, HTTP, HTTPS, LDAP (client), SSH, SSL, SMTP, FTP, and 802.1x (EAP)

Users
Unicast Up to 20 simultaneous users depending on resolution settings (2 guaranteed streams)

Multicast Unlimited users H.264

Security Access Password protected

Software Interface Web browser view and setup

Pelco System Integration Endura 2.0 (or later) or Digital Sentry 7.3 (or later)

Open API Pelco API or ONVIF v1.02

Minimum System Requirements

Processor	Intel® Pentium® 4 microprocessor, 1.6 GHz
Operating System	Microsoft® Windows® XP, Windows Vista®, or Mac® OS X 10.4 (or later)
Memory	512 MB RAM
Network Interface Card	100 megabits, minimum
Monitor	Minimum of 1024 x 768 resolution, 16- or 32-bit pixel color resolution
Web Browser*	Internet Explorer® 7.0 (or later) or Mozilla® Firefox® 3.5 (or later); Internet Explorer® 8.0 (or later) is recommended for configuring analytics
Media Player†	Pelco Media Player or QuickTime® 7.6.5 for Windows XP, Windows Vista, or QuickTime 7.6.4 for Mac OS X 10.4

LENS

Field of View in Degrees		High Resolution Streams (>800 x 600) Aspect Ratio		
		16:9	4:3	5:4
2.8 mm	Horizontal	100	100	94
	Vertical	54	74	74
10.0 mm	Horizontal	27	27	25
	Vertical	16	20	20

*Internet Explorer is not supported by Mac OS X 10.4.

†This product is not compatible with QuickTime version 7.6.4 for Windows XP or Windows Vista. If you have this version installed on your PC, you will need to upgrade to QuickTime version 7.6.5.

TECHNICAL SPECIFICATIONS

MODELS

IM10LW10-1	Sarix mini indoor fixed dome IP camera with SureVision, 1.2 MPx, low-light, WDR, day/night, 2.8 ~ 10 mm varifocal megapixel lens, white trim ring, clear dome
IM10LW10-B1	Sarix mini indoor fixed dome IP camera with SureVision, 1.2bMPx, low-light, WDR, day/night, 2.8 ~ 10 mm varifocal megapixel lens, black trim ring, clear dome


CERTIFICATIONS/RATINGS/PATENTS

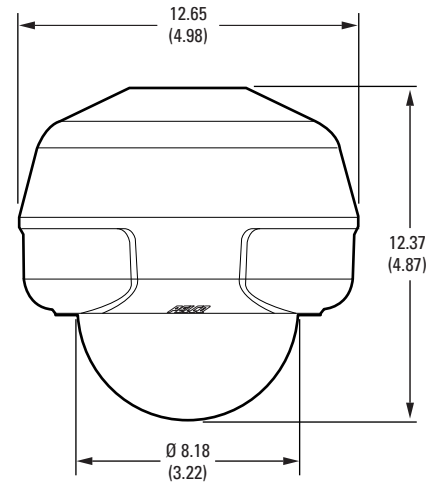
- CE, Class A
- FCC, Class A
- UL/cUL Listed
- C-Tick
- KCC*
- Patents are pending
- ONVIF 1.02

*As of the date of this publication, this certification is pending. Please consult the factory, our Web site at www.pelco.com, or the most recent B.O.S.S.® update for the current status of certifications.

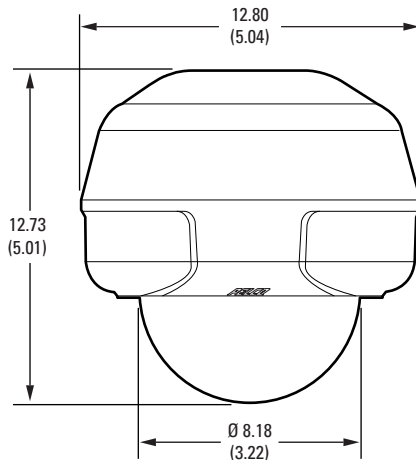
OPTIONAL ACCESSORIES

IM-PMWT	Pendant mount white
IM-PMBL	Pendant mount black
IM-WMWT	Integrated wall mount white
IM-WMBL	Integrated wall mount black
LDIM-0	White lower dome with smoked bubble
LDIM-B0	Black lower dome with smoked bubble
IX-SC	Service/monitor cable, 1.22 m (4 ft); compatible with standard BNC connectors
POE20U560G	Single port PoE injector
ALM-1	External alarm accessory

 NOTE: VALUES IN PARENTHESES ARE INCHES; ALL OTHERS ARE CENTIMETERS.



PENDANT (MOUNT AVAILABLE AS ACCESSORY)



INTEGRATED WALL MOUNT (AVAILABLE AS ACCESSORY)

