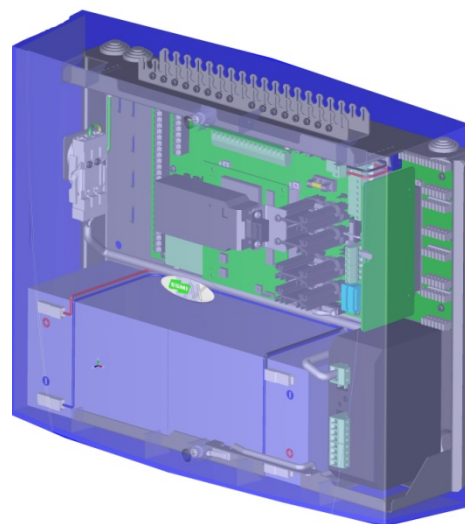


AX600-4 and -1 Bus Controllers

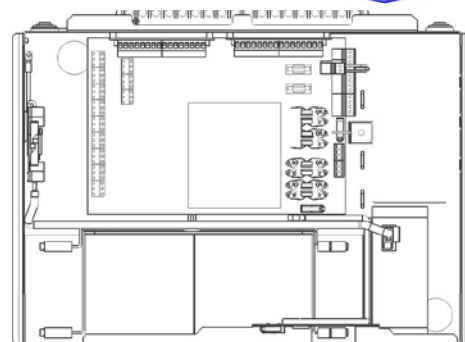
General about AX600

Esmi brings in to the market new AX600 mechanical structure standardizing cabinets in fire alarm, access control and intruder alarm systems. AX600-4 and -1 cabinet have space for two 12Ah batteries. Power supply is able to server the field devices and charge the battery at the same time. AX600-1 controller is “all in one box” solution for IP- connected sites having only one door and some intruder inputs.



Model AX600 - 4 (Esmi code FFS0880 0704)

- connection for 15 external devices on the RS485 bus
- 8 power output fuses of 24V DC, each equipped with a separate fuse (T1A)
- 8 programmable, clean low voltage relay outputs. Max. connection power 1,5A
- includes 2,5A /24V DC power sources
- includes cover and wall tamper switches
- protection class IP20
- operating temperature -10°C ... +40°C
- max. rel. humidity <93%, not condensing
- dimensions (w x h x d) 425 x 335 x 130 mm
- space for two (2) 12Ah batteries
- weight approximately 21 kg (with batteries)



Model AX600 – 1 (Esmi code FFS0880 0701)

- new model including CT601 door controller and CT610 connection board inside.
- includes Moxa NPort 5110 TCP/IP connection device
- connection for 15 external devices in the RS485 bus
- 8 power output fuses of 24V DC, each equipped with a separate fuse (T1A)
- 8 programmable, clean low voltage relay outputs. Max. connection power 1,5A
- includes 2,5A /24V DC power sources
- includes cover and wall tamper switches
- protection class IP20
- operating temperature -10°C ... +40°C
- max. rel. humidity <93%, not condensing
- dimensions (w x h x d) 425 x 335 x 130 mm
- space for two (2) 12Ah batteries
- weight approximately 10 kg (without batteries)
- weight approximately 21 kg (with batteries)

