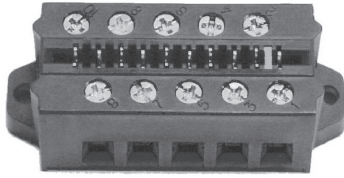


Surge Protective Device Accessory

Technical Documentation



The **ASCO PCB1B** base was designed to accommodate up to 10 AWG wire. In addition, it offers flat/phillips terminal screws. The PCB1B can be mounted using two #6 size screws.

The PCB1B is the standard socket for all of ASCO's plug-in style surge suppressor modules including the Models 175, 174, 172, 171, 170 and others.

Key Specs

- **Connection:** Hardwire Terminals
26 AWG - 10 AWG
- **Mounting:** Flange/DIN

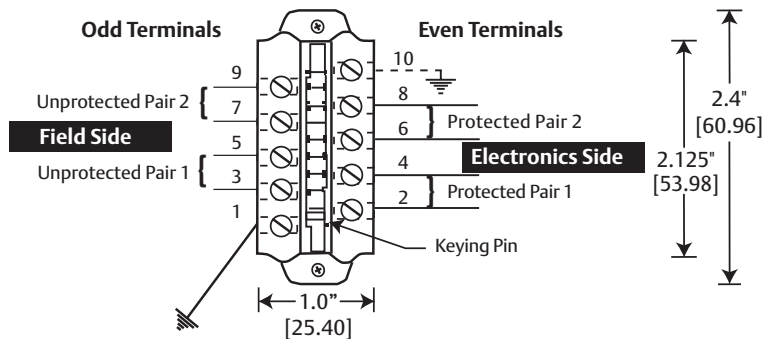
*See Ordering Information for model number selection

General Technical Specifications

Dimensions (in / mm)	0.78" H x 1.0" W x 2.4" L [19.81 x 25.4 x 61 mm]
----------------------	---

Installation Instructions

PCB1B Accessory Terminal Assignments



Ground Terminal 1 or 10 to Building Approved Ground (preferably AC Power safety ground).

NOTE: DO NOT daisy chain grounds. NOT intended for shield termination. Install ground in accordance with all applicable codes.

Ordering Information

MODEL

Former Model Name

APPLICATION

PCB1B

Edco PCB1B-WKEY

Wiring Base, Plug-in Socket

ACCESSORIES Former Accessory Name

PCDIN 11604KIT-PC

DIN Mounting Kit for PCB1B

Features

- Accommodates
26 to 10 AWG Wires

⚠ DANGER!

Only qualified personnel should install or service this system. Electrical safety pre-cautions must be followed when installing or servicing this equipment. To prevent risk of electrical shock, turn off and lock out all power sources to the unit before making electrical connections or servicing.

Seulement le personnel qualifié doit installer ou maintenir ce système. Des précautions de sécurité en électricité doivent être suivies lors de l'installation ou de la maintenance de cet équipement. Pour éviter tout risque de choc électrique, débranchez et verrouillez toutes les sources d'alimentation de cet équipement avant de.

14550 58th Street North
Clearwater, Florida 33760
P (800) 237-4567
P (727) 535-6339
F (727) 539-8955
E CustomerCare@ASCO.com

While every precaution has been taken to ensure accuracy and completeness herein, ASCO Power Technologies assumes no responsibility, and disclaims all liability, for damages resulting from use of this information or for any errors or omissions. Specifications are subject to change without notice.