



NEMA 1 Non-Metallic

NEMA 12 Steel

**Features:**

- UL 1449 Fourth Edition Listed
- 25kA – 100kA per phase ratings
- All UL required OCP & Safety Coordination included inside
  - Type 1 SPDs intended for Line or Load Side of Main Disconnect
  - Type 2 SPDs intended for Load Side of Main Disconnect
- 20kA Inominal
- 100kA SCCR
- Non-Metallic or Steel Enclosures
- UL 96A Lightning Protection Master Label compliant
- Voltage Specific Design – Highly configurable
- All MOV suppression elements monitored
- 5 Year Warranty (longer optional)

**Performance Specifications**

Surge Capacities	L-N	L-G	N-G
<b>100kA Per Phase</b>	50kA	50kA	50kA
<b>50kA Per Phase</b>	25kA	25kA	25kA
<b>25kA Per Phase</b>	25kA	-	25kA
UL 1449 Fourth Edition Listed Type 1 and Type 2			
UL 1449 Fourth Edition tested Inominal (I <sub>n</sub> ): 20kA			
UL 1449 Fourth Edition tested SCCR: 100kA			
UL 1449 Fourth Edition Voltage Protection Ratings (VPRs):			
– 208Y/120V: as low as 600V			
– 480Y/277V: as low as 1200V (data table on back)			
Less than 1 nanosecond response time			

**Physical Specifications**

Relative Humidity Range: 0 – 95% non-condensing
Operating Frequency: 47-63Hz
Operating Temperature Range: 0°C - 50°C (32°F - 122°F)
Standard NEMA 1 Non-Metallic Enclosure (Single Green LED)
– Size: 5.7" x 4.7" x 3.0" excl. offset nipple (145mm x 120mm x 76mm)
– Weight : 1.9lb (0.8kg)
Optional NEMA 12 Steel Enclosure (includes one Green LED per phase plus Red Service LED)
– Size: 6.0" x 4.0" x 3.8" excl. offset nipple (153mm x 102mm x 82mm)
– Weight: 3lb (1.4kg)
Standard Metallic ½" Offset Conduit Nipple
Standard Included 12 AWG Conductors (18") (longer optional)
Typical connection: #12 AWG and 20A breaker

**Design Attributes**

Designed, Manufactured & Tested consistent with:
– ANSI/IEEE C62.41.1-2002, C62.41.2-2002, C62.45-2002, C62.62-2010, C62.72-2016, IEEE SA 1100-2005 (Emerald Book)
– NEC® Article 285
– NEC® Articles 620.51(E), 645.18, 670.6, 695.15, 700.8 & 708 requiring SPDs
– UL 96A and NFPA 780 Lightning Protection
High Energy Parallel Design for Category C High applications
For external Mounting on Electrical Distribution Equipment, Switchgear, Switchboards, Motor Control Centers, Panelboards, Transfer Switches, etc.
Individually Fused & Thermally Protected MOVs
Robust 25mm square MOV Construction
Solid State Bidirectional Operation

**Diagnostic Monitoring**

100% monitoring – Every MOV is monitored, including N-G
Green LED Status indicator
Form C Dry Contacts 250V, 5A, includes 18 AWG pigtails
Optional NEMA 12 Steel Enclosure includes Green Phase LEDs plus Red Service LED

**Quality, Standards & Validation**

Type 1 UL 1449 Fourth Edition
Type 2 (Optional) UL 1449 Fourth Edition, cUL for Canada
UL file: VZCA.E324279 at www.UL.com
Burn-in tested prior to shipment
ISO 9001:2008 Quality Management System
ISO 17025:2005 Laboratory Qualification

## Model 350 Ordering Options

### NEMA 1 Non-Metallic Enclosure

25kA Per Phase 4 Mode	350□□□□P02BWRC□0
50kA Per Phase 7 Mode	350□□□□P05AWRC□0
100kA Per Phase 7 Mode	350□□□□P10AWRC□0

### NEMA 12 Steel Enclosure

100kA Per Phase 7 Mode	350□□□□P10AWRL□0
------------------------	------------------

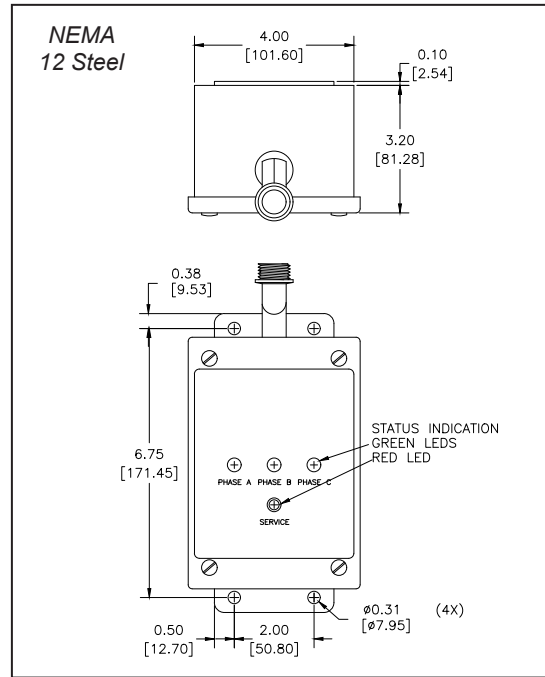
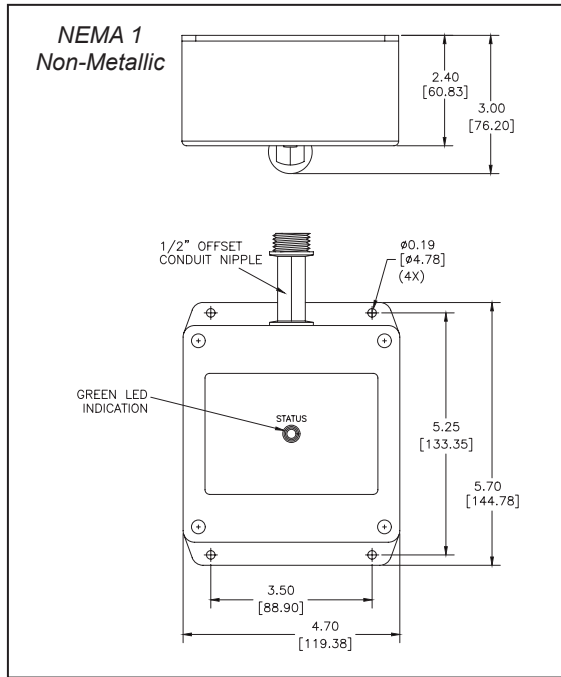
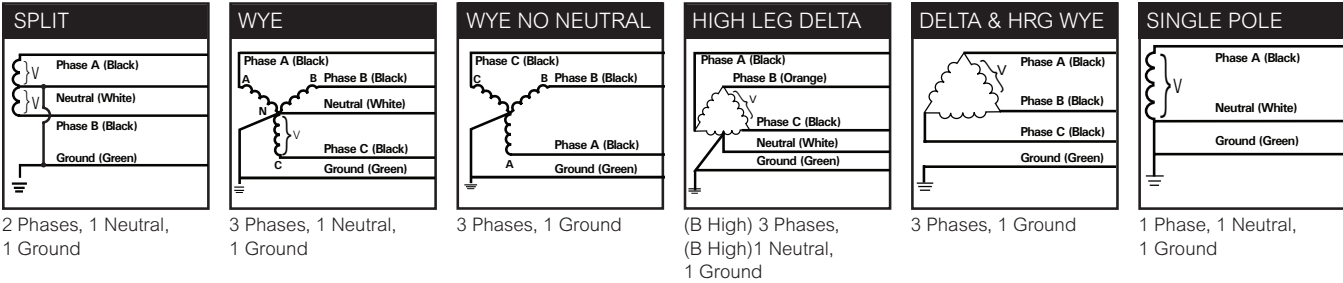
Choose Voltage Code

Indicate UL Type 1 or 2

### Voltage Codes

120Y	208Y/120V Wye, 3Ø 4W+Grnd
120S	240/120V Split Phase, 1Ø, 3W+Grnd
120N	120V Single Phase
120X	208Y/120V Wye, 3W+G (No Neutral)
230N	230V Single Phase
230Y	400Y/230V Wye, 3Ø 4W+Grnd
240D	240V Delta, 3Ø 3W+Grnd
277Y	480Y/277V Wye, 3Ø 4W+Grnd
277X	480Y/277V Wye, 3W+G (No Neutral)
400D	400V Delta, 3Ø, 3W+Grnd
480D	480V Delta, 3Ø 3W+Grnd

Note - Additional system voltages are available, please contact factory.



## Performance Data

Common Power Systems		UL 1449 Fourth Edition Test Data						
		Voltage Protection Ratings (VPR - 3kA)				I <sub>n</sub>	SCCR	MCOV
		L-N	L-G	N-G	L-L			
120S =	240/120V Split Phase	600V	700V	600V	1000V	20kA	100kA	150
120Y =	208Y/120V 3Ø Wye	600V	700V	600V	1000V	20kA	100kA	150
220Y =	380Y/220V 3Ø Wye	1200V	1200V	1000V	1800V	20kA	100kA	320
240H =	240/120V B High Leg Delta	600/1200V	700/1200V	600V	1000/1800V	20kA	100kA	150 / 320
277Y =	480Y/277V 3Ø Wye	1200V	1200V	1000V	1800V	20kA	100kA	320
480D =	480V 3Ø Delta	-	1200V	-	2000V	20kA	100kA	552