

Surge Protective Device

Technical Documentation



The **ASCO Model 331** surge suppressor is designed to protect AC distribution panel circuits or 120 V power supplies feeding sensitive electronic equipment. Electrically, the unit incorporates MOV fusing technology. The Model 331 SPD is designed to be installed in parallel on standard split phase 120/240 VAC (3W+G) or single phase 120 VAC (2W+G) circuits.

Key Specs

- **Voltage:** 120/240 VAC or 120VAC
- **Current:** 42 kAIC
- **Connection:** Parallel Connection, 10 AWG Wire Leads (provided)
- **Mounting:** Flange

*See Ordering Information for model number selection

General Technical Specifications

Operating Voltage	120/240 VAC or 120VAC
Total Peak Surge Current	80kA/phase
Short Circuit Current Rating	42 kAIC
UL1449 Location Type	Type 2
UL1449 Nominal Discharge Current (I_n)	3 kA
Operating Current	NA, Parallel Connection
Operating Frequency	47-63 Hz
EMI Attenuation (100 kHz to 100 MHz)	> 40 db
SPD Technology	Metal Oxide Varistors (MOVs)
Modes of Protection	Line-to-Line (L-L) Line-to-Neutral (L-N)
Status Indication	Power On & MOV's Functional
Connection Type	10 AWG Wire Leads
Operating Temperature	0°C to +50°C
Dimensions (in / mm)	4.6" H x 2.2" W x 2.8" L [116.84 x 55.88 x 71.12 mm]
Weight (oz / kg)	13.5 oz [0.38 kg]
Certifications	UL1449 Fourth Edition Listed, Type 2 CSA 22.2 No. 269.2

Features

- Fast Response Time
- Fused Protection
- Operational Status Indicators
- 5 year warranty

Certifications

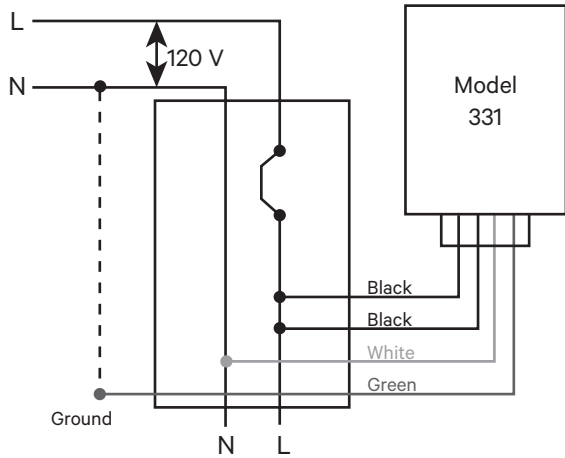
- UL1449 Fourth Edition Listed, Type 2
- CSA 22.2 No. 269.2

DANGER!

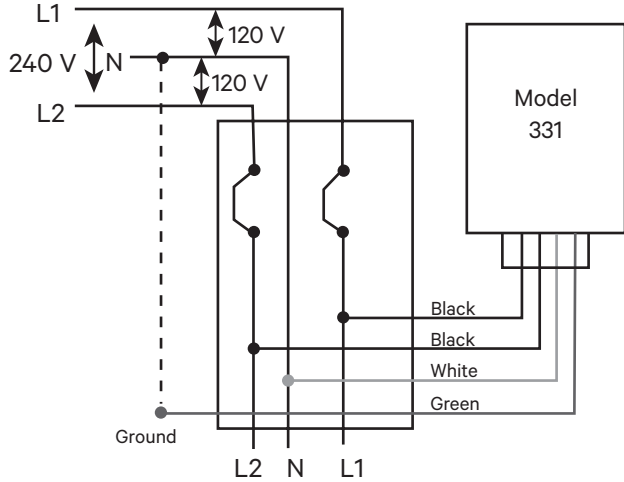
Only qualified personnel should install or service this system. Electrical safety pre-cautions must be followed when installing or servicing this equipment. To prevent risk of electrical shock, turn off and lock out all power sources to the unit before making electrical connections or servicing.

Seulement le personnel qualifié doit installer ou maintenir ce système. Des précautions de sécurité en électricité doivent être suivies lors de l'installation ou de la maintenance de cet équipement. Pour éviter tout risque de choc électrique, débranchez et verrouillez toutes les sources d'alimentation de cet équipement avant de.

Installation Instructions

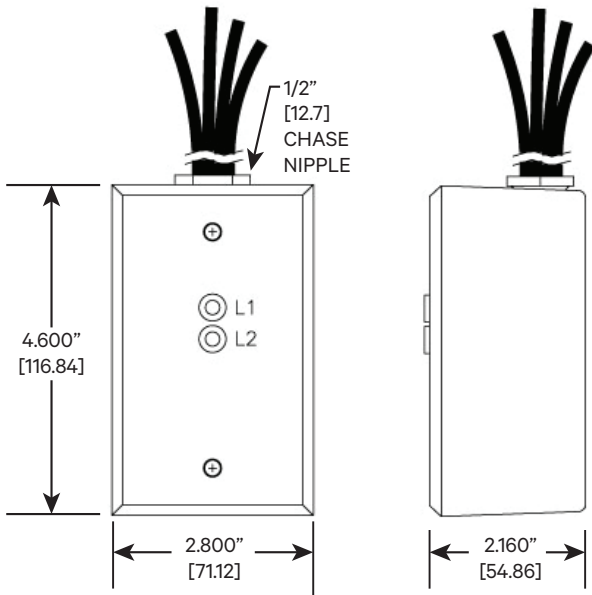


120 V applications use a single pole 30 Amp breaker



120/240 V applications use a 2 pole 30 Amp breaker

Dimensions



Ordering Information

MODEL

Former Model Name

APPLICATION

331120SP04AWS20

Edco EMC-240B

with 1/2" [12.7 mm] Chase Nipple

- Connect on load side of main breakers
- Keep wires short and straight as possible for best suppression performance.