

Surge Protective Device

Technical Documentation



The **ASCO Model 270** is a series connected, high-frequency noise filter, with surge protection, using proven Islatrol® Active Tracking Filter® technology. It provides normal mode (+ to -) protection to DC voltage devices with either 5A or 7.5A maximum continuous load current options.

Key Specs

- **Operating Voltage:** 0-215 VDC
- **Max. Continuous Load Current:** 5A & 7.5A
- **Connection:** Series
- **Mounting:** Flange

General Technical Specifications

Maximum Allowable Voltage	215VDC
Response Time	< 5ns
Overcurrent Protection	270D250F005AN2N0: 5A 270D250F007AN2N0: 7.5A
Wire Size Range	22 AWG - 12 AWG
Torque	12 in-lbs.
Weight (lb/kg)	1lb (0.45kg)
Operating Temperature	-40°C to +70°C
Operating Humidity	0% to 95% Non-condensing
Packaging	High impact plastic case, epoxy encapsulated

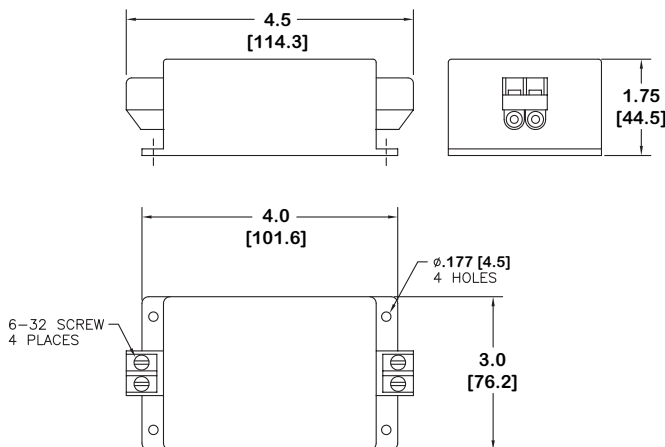
Performance Technical Specifications

Peak Surge Current Capability (8 x 20 μs) 270D250F005AN2N0 (Edco E-5LC-1) only	6.5kA
Frequency Response (Forward-Reverse)	-40dB Minimum from 50kHz to 50 MHz

Features

- Series Connected
- High frequency noise filter with transient protection for DC circuits
- 5 year limited warranty

Dimensions (in/mm)



Ordering Information

MODEL <i>Former Model Name</i>	OPERATING VOLTAGE	CONTINUOUS CURRENT
270D250F005AN2N0 <i>Islatrol® E-5LC-1 (Filter & SPD)</i>	215 VDC	5 Amps
270D250F007AN2N0 <i>Islatrol® E-7 (Filter)</i>	215 VDC	7.5 Amps