

Surge Protective Device



NEMA 4X MODEL SHOWN

The **ASCO Model 252** is an advanced 3-stage hybrid, solid state power line protector. Features such as noise filtering, common mode and normal mode suppression, nanosecond reaction time, power line tracking, and compression screw terminations, make the Model 252 an excellent choice in commercial and industrial applications.

Model 252 offers a replaceable fuse designed to remove the load (protected equipment) from the line if the unit is either overloaded or the internal protection fails. This feature prevents surges from entering equipment through a failed protector, not

noticed by the user. Unlike models with only an indicator, which may take weeks to notice, the Model 252 demands immediate attention upon the unlikely occurrence of internal failure.

General Technical Specifications	
Operating Voltage	120 VAC
Clamping Voltage	200-240 VAC
Operating Current	15 A
Peak Surge Current	39 kA (8 x 20 μs)
Operating Frequency	47-63 Hz
EMI Attenuation	> 40 dB (100 kHz to 100 MHz)
SPD Technology	Metal Oxide Varistors (MOVs) w/ L-C Filter
Modes of Protection	Line-to-Neutral, Line-to-Ground, Neutral-to-Ground
Status Indication	Power On & MOVs functional
Connection Type	3 position, 20 A terminal block w/ compression screws Terminals accept up to 14 AWG
Operating Temperature	-40°C to +85°C
Dimensions (in / mm)	Exposed Terminal Design: 1.8" H x 2.9" W x 5.3" L [46 x 74 x 135 mm] NEMA 4X: 2.95" H x 4.95" W x 3.0" L [74.93 x 125.73 x 76.2 mm] NEMA 4X (Alt): 3.1" H x 6.3" W x 3.4" L [78.74 x 160.02 x 86.36 mm]
Weight (oz / kg)	10 oz [0.28 kg]
Certifications	UL 1449 recognized
Warranty	5 years

Technical Documentation

Key Specs

- **Voltage:** 120 VAC
- **Current:** 15 Amp
- **Connection:** Hardwire/ Terminal Block
- **Mounting:** Flange

*See Ordering Information for model number selection

Features

- Fast response time
- Failure indicator
- Power line tracking
- EMI/RFI noise filtering
- 3-stage hybrid design
- Replaceable fuse
- Enclosure Options
- 5 year warranty

Certifications

- UL 1449 recognized

DANGER!

Only qualified personnel should install or service this system. Electrical safety pre-cautions must be followed when installing or servicing this equipment. To prevent risk of electrical shock, turn off and lock out all power sources to the unit before making electrical connections or servicing.

Seulement le personnel qualifié doit installer ou maintenir ce système. Des précautions de sécurité en électricité doivent être suivies lors de l'installation ou de la maintenance de cet équipement. Pour éviter tout risque de choc électrique, débranchez et verrouillez toutes les sources d'alimentation de cet équipement avant de.

Installation Instructions

Note:

1. Remove power from equipment to be protected.
2. Mount Model 252 in a UL approved housing. Keep all leads as short as possible.
3. Position unit within the equipment cabinet so that the fuse holder will be accessible should the fuse need replacing.
4. Secure Model 252 using up to six screws to fit 3/16" [4.76 mm] hole openings.
5. Make sure wiring from power sources properly connects to LINE side of Model 252 (torque to 7 in. lbs.). Wiring from protected equipment must properly connect to EQUIP side of Model 252 (torque to 7 in. lbs.).
6. Connect only to 120 VAC, 15 Amp Max., single phase, three wire circuit.
7. Indication of internal failure:
 - a. Indicator will extinguish.
 - b. Blown fuse will disconnect load from power source.

Warning

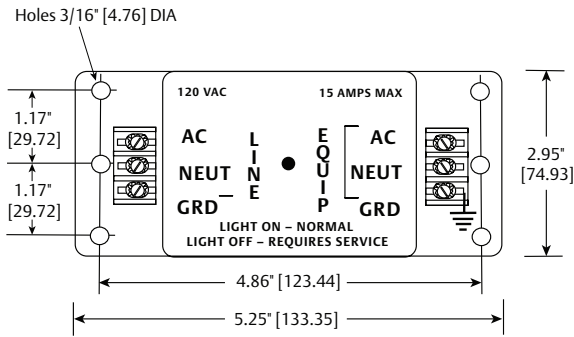
Disconnect AC source before replacing fuse. For continued protection against risk of fire, replace only with same type rating of fuse (3 AB, 15 A/250 V).

Avertissement

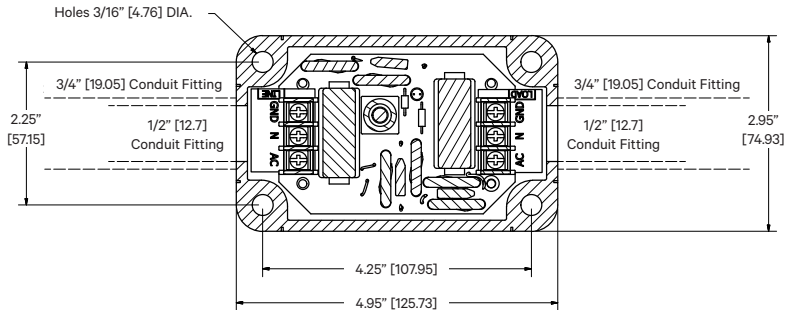
Débranchez la source de la tension AC avant que replacer le fusible. Pour assurer la protection contre feu continuée, remplacez le fusible avec exactement le même class du fusible (3 AB, 15 A/250 V).

Dimensions

EXPOSED TERMINAL DESIGN MODEL



NEMA 4X DESIGN



NEMA 4X ALT DESIGN

