

Surge Protective Device

Technical Documentation



The **ASCO Model 241** is a plug-in surge protector for single phase UPS products and other sensitive electronics.

It is a high-quality power conditioning solution designed to help protect connected equipment against power surges and transients.

Key Specs

- **Voltage:** 120-240 VAC
- **Current:** 13 Amp
- **Connection:** IEC C13/C14

General Technical Specifications

Operating Voltage	120-240 VAC
Clamping Voltage	320 VAC
Operating Current	13 A
Peak Surge Current	10kA (8x20µs)
Frequency Range	47-63 Hz
Connection Type	2 Port
Phase Configuration	2 Wire + Gnd
Operating Humidity	0% to 95%
Status Indication	Green LED
Modes of Protection	L-N, N-G
Response Time	<.5 ns Normal Mode
Dimensions (in / mm)	1.2" H x 1.4" W x 4.1" L [30.5 x 36.6 x 104.2 mm]
Weight (lb / kg)	241120NF013ARCNO - 0.16 lbs [0.07 kg] 241120NF013ALCNO - 0.26 lbs [0.12 kg]
Limited Warranty	5 years

Mechanical Specifications

Input Connection Line	IEC C14 Socket (inlet)
Output Connection Line	IEC C13 Plug (outlet)
Enclosure	High Impact Plastic

Ordering Information

MODEL

Former Model Name

APPLICATION

241120NF013ARCNO

PowerSure ACTVSS

120-240VAC, 13A

241120NF013ALCNO

PowerSure ACTVSS-P

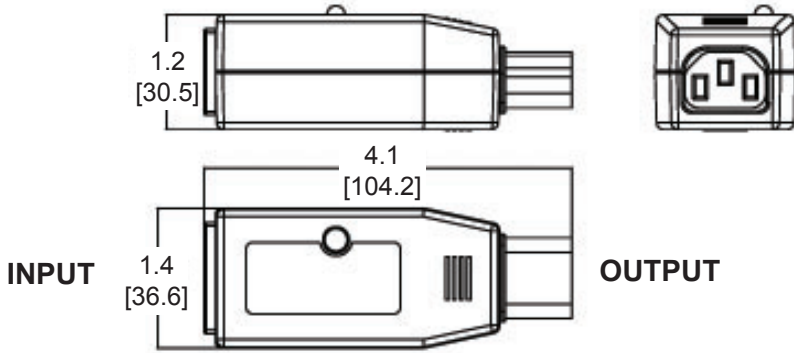
120-240VAC, 13A 12 in. Cord

Features

- Higher Availability
- Lowest Total Cost of Ownership- Five-year replacement limited warranty.
- Flexibility-Easy plug-in installation, suppression indicator LED.
- Ideally suited for: Uninterruptible Power Supplies, PCs and Workstations, Servers and other electronic and communication systems.

Dimensions

Model 241



Model 241 with Cord

