

Surge Protective Device

Technical Documentation



233120NS40KAN2N0 / 40kA



233120NS20KAN2N0 / 20kA

The **ASCO Model 233** is designed to protect sensitive electronic equipment such as traffic controllers, from high energy surges. Model 233 incorporates MOV technology which clamps these surges before equipment damage occurs.

Model 233 is intended for use on bonded neutral to ground applications.

Key Specs

- **Voltage:** 120 VAC
- **Current:** NA (Parallel)
- **Connection:** 1/4-20 or 10-32 Stainless Steel Studs
- **Mounting:** Flange

Features

- 20kA or 40kA surge protection
- Fast response time
- Solid-state design
- Epoxy encapsulated
- 5 year warranty

General Technical Specifications

Operating Voltage	120 VAC
Clamping Voltage	395 VAC
Operating Current	NA (Parallel)
Peak Surge Current	233120NS40KAN2N0: 40 kA/Mode/Phase/Total (8 x 20μs) 233120NS20KAN2N0: 20 kA/Mode/Phase/Total (8 x 20μs)
Operating Frequency	47-63 Hz
SPD Technology	Metal Oxide Varistors (MOVs)
Connection Type	233120NS40KAN2N0: 1/4 -20 Stainless Steel Stud 233120NS20KAN2N0: 10-32 Stainless Steel Stud
Operating Temperature	-40°C to +85°C
Dimensions (in / mm)	233120NS40KAN2N0: 1.875" H x 2.875" W x 5.25" L [47.6 x 73.0 x 133.4 mm] 233120NS20KAN2N0: 0.5" H x 1.5" W x 2.0" L [12.7 x 38.1 x 50.8 mm]
Weight (oz / kg)	233120NS40KAN2N0: 1 lb [0.91 kg] 233120NS20KAN2N0: 2 oz [0.06 kg]
Warranty	5 years

DANGER!

Only qualified personnel should install or service this system. Electrical safety pre-cautions must be followed when installing or servicing this equipment. To prevent risk of electrical shock, turn off and lock out all power sources to the unit before making electrical connections or servicing.

Seulement le personnel qualifié doit installer ou maintenir ce système. Des précautions de sécurité en électricité doivent être suivies lors de l'installation ou de la maintenance de cet équipement. Pour éviter tout risque de choc électrique, débranchez et verrouillez toutes les sources d'alimentation de cet équipement avant de.

Ordering Information

MODEL
Former Model Name

APPLICATION

233120NS40KAN2N0
Edco® SPA-300

40kA, 1/4-20 Connection

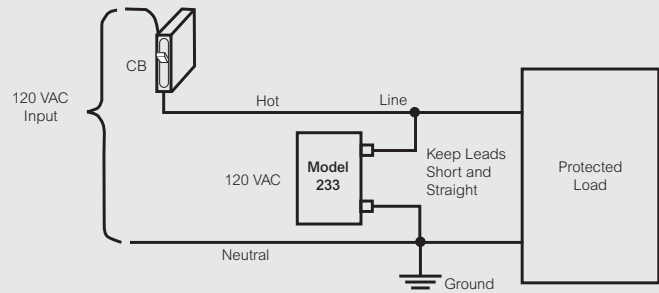
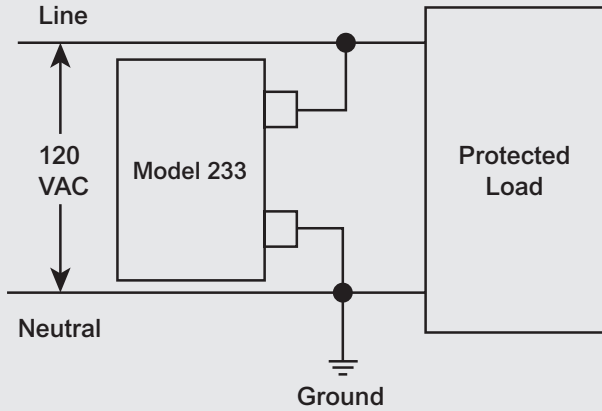
MODEL
Former Model Name

APPLICATION

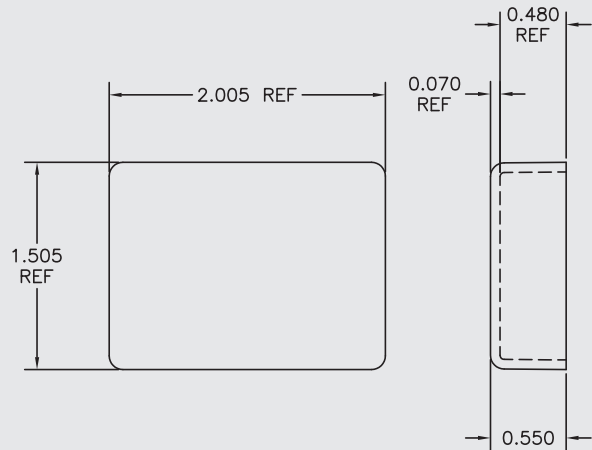
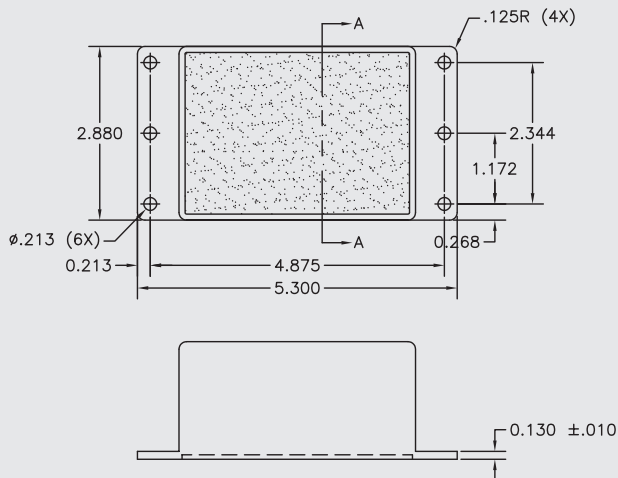
233120NS20KAN2N0
Edco® SPA-100T

20kA, 10-32 Connection

Installation Instructions



Dimensions



Mounting

