

Surge Protective Device

Technical Documentation



The **ASCO Model 155** suppressor kit is intended for installation with electrical switching devices that are connected through a relay contact on typical access control panels.

The Model 155 protects against electrical anomalies (transients) that are generated as a result of the collapsing electrical field of an electromagnetic switching device (maglock or electric strike). The Model 155 provides protection for both relay contacts and control panel.

Key Specs

- **Voltage:** 0-52 VDC
- **Connection:** Parallel Connection, 18 AWG Wire Leads (provided)

**See Ordering Information for model number selection*

Features

- Electromagnetic protection
- 2 devices per package
- Relay contact and control panel protection
- 5 year warranty

General Technical Specifications

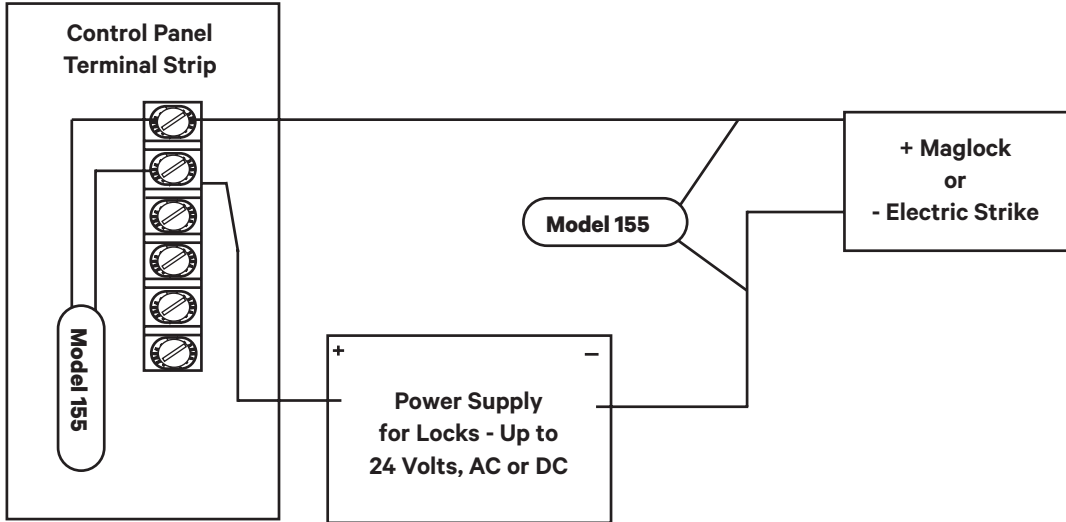
Operating Voltage	52 VDC
Clamping Voltage	56 VDC
Operating Current	N/A, Parallel Connection
Peak Surge Current	500 A
Frequency Range	0 to 20 MHz
Insertion Loss	< 0.1 dB at 20 MHz
SPD Technology	SAD w/ Filtering Capacitor
Connection Type	18 AWG Wire Leads
Operating Temperature	-40°C to +85°C
Dimensions (in / mm)	8.0" L [203.2 mm]
Weight (oz / kg)	1 oz [0.02 kg]
Warranty	5 years

DANGER!

Only qualified personnel should install or service this system. Electrical safety pre-cautions must be followed when installing or servicing this equipment. To prevent risk of electrical shock, turn off and lock out all power sources to the unit before making electrical connections or servicing.

Seulement le personnel qualifié doit installer ou maintenir ce système. Des précautions de sécurité en électricité doivent être suivies lors de l'installation ou de la maintenance de cet équipement. Pour éviter tout risque de choc électrique, débranchez et verrouillez toutes les sources d'alimentation de cet équipement avant de.

Installation Instructions



- The diagram (above) illustrates the proper installation of the Model 155.
- For each maglock or electric strike circuit, install a suppressor (1) across the relay contacts and (2) across the leads connected to the lock solenoid (locate as close as possible to the solenoid).
- The suppressor wires can be installed without regard to polarity.
- If your package does not contain two (2) devices, contact your distributor.

Ordering Information

Other configurations available, please contact factory.

MODEL

Former Model Name

APPLICATION

155D056S500SW2N0

Edco EL-EDS

Electric Strike Door
Relay Contact & Control Panel