

Surge Protective Device

Technical Documentation



The **ASCO Model 132** surge protectors are specifically designed for medium exposure applications. Thus, the protector can be used on pairs inside a building or leaving the building in conduit up to 500 feet. These protections are intended to be used in conjunction with the ASCO MGBW Ground Rail and a standard MI-50 Punch Down Block.

The Model 132 offers several distinct advantages over other current technologies. Among the advantages are low cost, no series resistance, and durable, solid-state construction.

Key Specs

- **Voltage:** 0-42 VDC
- **Connection/Mounting:**
Clips into 66M1-50 Block using MGBW ground rail

**See Ordering Information for model number selection*

Features

- Silicon Avalanche Technology
- No series resistance
- Snaps onto M1-50 Block with ASCO's MGBW Ground Rail
- Response time < 1 Nanosecond
- Instant recovery
- Compact Size:
1.3" H x 0.4" W x 2.0" L
[33 x 10.2 x 50.8 mm]

Certifications

- UL 497B

General Technical Specifications

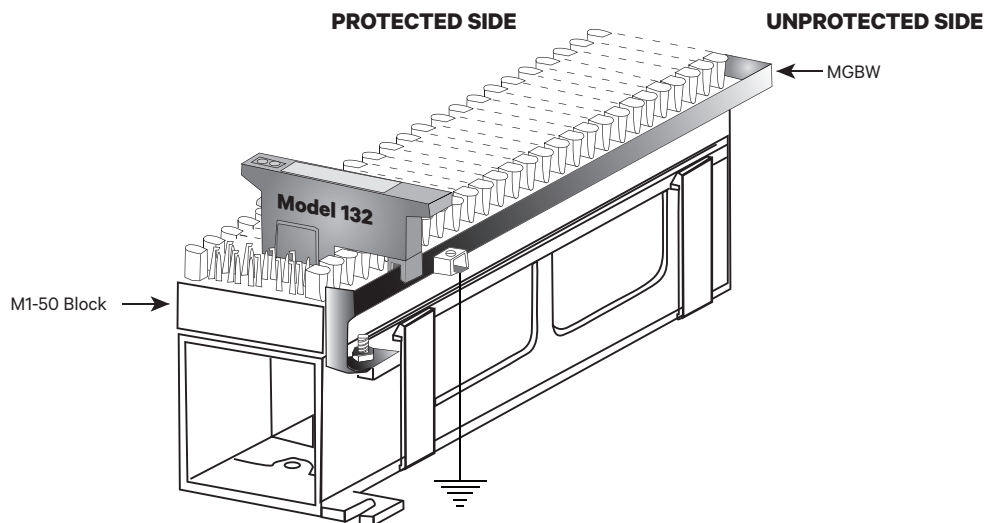
Operating Voltage	12, 24, 42 VDC
Clamping Voltage	15, 30, 48 VDC
Peak Surge Current	[132D015] 124A (10x1000 μs) [132D030] 72A (10x1000 μs) [132D048] 45A (10x1000 μs)
Max Clamp Voltage @ Peak	[132D015] 25V [132D030] 42V [132D048] 66V
Typical Capacitance	[132D015] 700pf [132D030] 1180pf [132D048] 900pf
Frequency Range	0 to 20 MHz
Insertion loss	< 0.1 dB at 20 MHz
SPD Technology	MOV
Connection Type	Clips to M1-50 Block
Operating Temperature	-40°C to +85°C
Dimensions (in / mm)	1.3" H x 0.4" W x 2.0" L [33 x 10.2 x 50.8 mm]
Weight (oz / kg)	1 oz [.03 kg]
Certifications	UL 497B
Warranty	5 years

DANGER!

Only qualified personnel should install or service this system. Electrical safety pre-cautions must be followed when installing or servicing this equipment. To prevent risk of electrical shock, turn off and lock out all power sources to the unit before making electrical connections or servicing.

Seulement le personnel qualifié doit installer ou maintenir ce système. Des précautions de sécurité en électricité doivent être suivies lors de l'installation ou de la maintenance de cet équipement. Pour éviter tout risque de choc électrique, débranchez et verrouillez toutes les sources d'alimentation de cet équipement avant de.

Application Diagram



Read and Understand These Instructions

These protectors are intended for indoor use on communication loop circuits which have been isolated from the Public Switch Telephone Network. The communication loop circuits shall not be exposed to accidental contact with the electric light or power conductors. The protectors shall be installed per the applicable requirements of the National Electric Code, ANSI/NFPA 70.

NOTE: DO NOT daisy chain grounds. NOT intended for shield termination. Install ground in accordance with all applicable codes.

Ordering Information

MODEL

Former Model Name

APPLICATION

132D015S124SPDNO 12 VDC Medium Exposure Applications
Edco OPX-CLN Call-In Circuit

132D030S072SPDNO 24 VDC Medium Exposure Applications
Edco OPX-030

132D048S045SPDNO 42 VDC Medium Exposure Applications
Edco OPX-048

ACCESSORIES *Former Accessory Name*

MGBW *MGBW-LUG* Ground Rail for 66M1-50 Block Installation