

Surge Protective Device

Technical Documentation



The **ASCO Model 131** surge protector is specifically designed for medium exposure applications. Thus, the protector can be used on pairs inside a building or leaving the building in conduit up to 500 feet. This protection is intended to be used in conjunction with the ASCO MGBW Ground Rail and a standard MI-50 Punch Down Block.

The Model 131 offers several distinct advantages over other current technologies. Among the advantages are low cost, no series resistance, and durable, solid-state construction.

Key Specs

- **Voltage:** 35 VDC
- **Connection/Mounting:** Clips into 66M1-50 Block using MGBW ground rail

**See Ordering Information for model number selection*

Features

- Silicon Avalanche Technology
- No series resistance
- Snaps onto M1-50 Block with ASCO's MGBW Ground Rail
- Response time < 1 Nanosecond
- Instant recovery
- Compact Size:
1.3" H x 0.4" W x 2.0" L
[33 x 10.2 x 50.8 mm]

General Technical Specifications

Operating Voltage	35 VDC
Clamping Voltage	56 VDC
Peak Surge Current	200A (10x1000 μs)
Max Clamp Voltage @ Peak	105V
Typical Capacitance	1800 pf
Frequency Range	0 to 20 MHz
Insertion loss	< 0.1 dB at 20 MHz
SPD Technology	MOV
Connection Type	Clips to M1-50 Block
Operating Temperature	-40°C to +85°C
Dimensions (in / mm)	1.3" H x 0.4" W x 2.0" L [33 x 10.2 x 50.8 mm]
Weight (oz / kg)	1 oz [.03 kg]
Certifications	UL 497B
Warranty	5 years

DANGER!

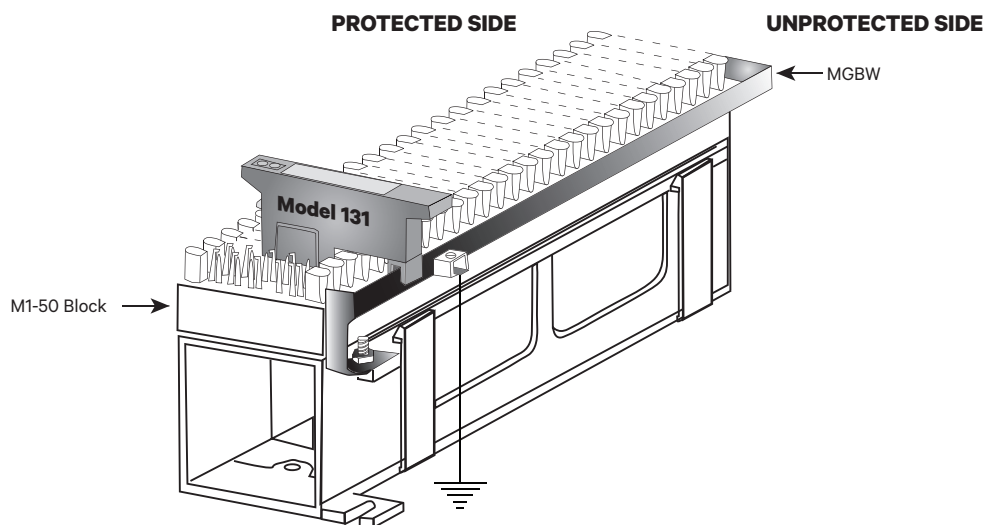
Only qualified personnel should install or service this system. Electrical safety pre-cautions must be followed when installing or servicing this equipment. To prevent risk of electrical shock, turn off and lock out all power sources to the unit before making electrical connections or servicing.

Seulement le personnel qualifié doit installer ou maintenir ce système. Des précautions de sécurité en électricité doivent être suivies lors de l'installation ou de la maintenance de cet équipement. Pour éviter tout risque de choc électrique, débranchez et verrouillez toutes les sources d'alimentation de cet équipement avant de.

Certifications

- UL 497B

Application Diagram



Read and Understand These Instructions

These protectors are intended for indoor use on communication loop circuits which have been isolated from the Public Switch Telephone Network. The communication loop circuits shall not be exposed to accidental contact with the electric light or power conductors. The protectors shall be installed per the applicable requirements of the National Electric Code, ANSI/NFPA 70.

NOTE: DO NOT daisy chain grounds. NOT intended for shield termination. Install ground in accordance with all applicable codes.

Ordering Information

MODEL

Former Model Name

131D056S200MPDNO

Edco OPX-SPK

APPLICATION

Speaker Circuit

ACCESSORIES *Former Accessory Name*

MGBW *MGBW-LUG*

Ground Rail for 66M1-50 Block Installation