

Model 107

The **ASCO Model 107 & 108** SPDs are intended for use on a wide range of low voltage applications inside appropriate enclosures, including high speed communication circuits. Terminals are finger-safe.

Model 107 is offered for Analog, DC voltage or low-frequency data to 600kHz. Model 108 is offered for digital or high-frequency data up to 35MHz.

General Technical Specifications	
Surge Current Rating	15kA
Rated Operating Current I _L (mA)	Model 107 = 800mA Model 108 = 1000mA
IEC Max. Discharge Current I _{max}	15kA
IEC Max. Discharge Current I _n	10kA
IEC Max. Lightning Pulse Imp (10 x 350µs)	2.5kA
Number of Wires Protected	Up to 4 wires (2 pair)
Wire Size	14 AWG - 26 AWG
Response Time (ns)	<1 ns
Temperature Rating	-40°F to 185°F (-40°C to 85°C)
Enclosure Material	Thermoplastic UL 94-V0
Enclosure	NEMA 1 (IP 20)
Dimensions (in / mm)	3.9" x 2.6" x 0.47" [99mm x 65mm x 12mm]
Weight (oz / g)	4.75oz [135g]
Warranty	5 years

Voltage Codes	"-008-"	"-018-"	"-030-"	"-060-"	"-075-"
Nominal Operating Voltage (VDC / VAC)	5 / 3.5	12 / 8.5	24 / 17	48 / 34	60 / 42
MCOV (VDC)	7	15	28	52	64
Clamping Voltage (VDC)	< 12	< 27	< 46	< 85	< 105
Voltage Breakdown (Min/Max VDC)	7 / 9	16 / 20	29.5 / 36.5	55.5 / 68.5	67.5 / 82.5
IEC Voltage Protection Level (Up @ 1kV/µs, VDC)	12	27	28	52	64
Maximum Leakage Current (µA)	5	5	5	5	5

Key Specs

- Voltage:** 5VDC, 12VDC, 24VDC, 48VDC, 60VDC
- Operating Current:** 800mA (107), 1000mA (108)
- Connection:** Wiring Terminals
- Mounting:** 35mm DIN-Rail

**See Ordering Information for model number selection*

Features

- Three stage surge suppression

Certifications

- IEEE C62.41-2002, Cat C, B & A
- IEC 61643-21 Compliant
- CE

⚠ DANGER!

Only qualified personnel should install or service this system. Electrical safety pre-cautions must be followed when installing or servicing this equipment. To prevent risk of electrical shock, turn off and lock out all power sources to the unit before making electrical connections or servicing.

Seulement le personnel qualifié doit installer ou maintenir ce système. Des précautions de sécurité en électricité doivent être suivies lors de l'installation ou de la maintenance de cet équipement. Pour éviter tout risque de choc électrique, débranchez et verrouillez toutes les sources d'alimentation de cet équipement avant de.

Suggested Applications

Protocol	Nominal Voltage	Suggested SPD
RS-232	+/- 25V	107D030S15KXN4D0
RS-423	+/- 6V	107D018S15KXN4D0
RS-422	-0.25V - +6V	108D018S15KLN4D0
RS-485	-7V - + 12V	108D018S15KLN4D0
Modbus (usually RS-485)	-	108D018S15KLN4D0
Irrigation/ Sprinkler Valves	24VAC	107D060S15KXN4D0
4 - 20mA	Need to determine. Could be 24VDC, 12VDC, etc.	107D060S15KXN4D0
Don't Know?	Can't Find Out?	107D060S15KXN4D0

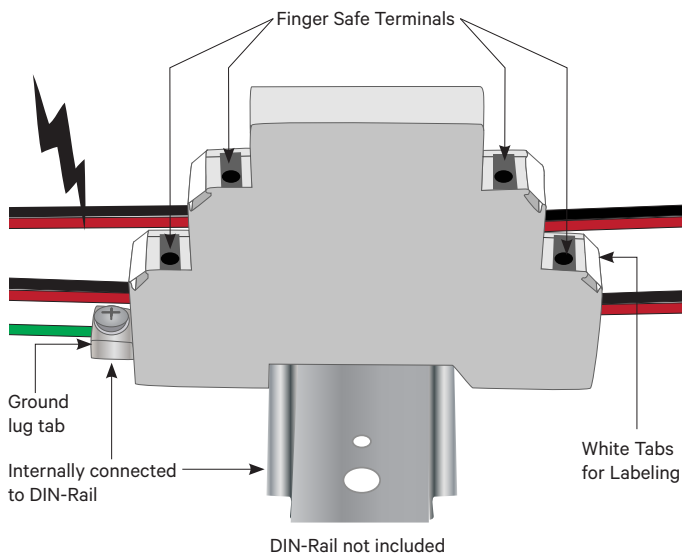
Product Information & Typical Installation

Unprotected Side

Install such that surge hits this side

Protected Side

VALUABLE EQUIPMENT SIDE



- Series connected (Power/Data goes through SPD)
- Protects up to 4 wires (2 pairs of 2 wires)
- Only 2 wires? Use either top or bottom sets.
- We recommend cable connection from ground lug to verified ground.

Ordering Information

MODEL

Former Model Name

APPLICATION

107D008S15KXN4D0 D60401-005S	Analog, DC voltage, or low-frequency data to 600kHz
108D008S15KLN4D0 D60401-005B	Digital or High-Frequency Data up to 35MHz
107D018S15KXN4D0 D60401-012S	Analog, DC voltage, or low-frequency data to 600kHz
108D018S15KLN4D0 D60401-012B	Digital or High-Frequency Data up to 35MHz
107D030S15KXN4D0 D60401-024S	Analog, DC voltage, or low-frequency data to 600kHz
108D030S15KLN4D0 D60401-024B	Digital or High-Frequency Data up to 35MHz
107D060S15KXN4D0 D60401-048S	Analog, DC voltage, or low-frequency data to 600kHz
108D060S15KLN4D0 D60401-048B	Digital or High-Frequency Data up to 35MHz
107D075S15KXN4D0 D60401-060S	Analog, DC voltage, or low-frequency data to 600kHz
108D075S15KLN4D0 D60401-060B	Digital or High-Frequency Data up to 35MHz

Dimensions

