



Applications

ASCO relay control panels were originally designed to New York City Board of Education specifications to operate ASCO DC solenoid valves controlling gas flow to school kitchens, domestic cooking classes, ceramic and metal shops.

Because of its many features and silent operation, the ASCO relay panel has also been used in many other similar institutions and schools outside New York City. Vandalism and malicious mischief have caused some city governments to make it mandatory that the gas supply be secured during hours when schools are closed.

Other governmental bodies and consulting engineers have also recognized this need, and specify the ASCO relay panel even when not mandated by code. ASCO relay panels may also be used in industrial and commercial installations where control of various gases and fluids are important.

ASCO Relay Panel
Catalog No 108D10C
Input Voltage: 120 volts, 60Hz
Output Voltage: 80 volts DC
Output Current: 0.8 amp maximum

Operations

Operating the key switch on the control station energizes the relay, opening a normally closed ASCO DC solenoid valve which turns on the gas flow.

Panel Features

Reliability

ASCO's long experience in control assures a highly dependable system especially when used in combination with ASCO valves. If the control voltage is lost completely, or reduces to approximately 50% of normal value, the relay de-energizes the normally-closed valve to shut off the gas flow. The gas may also be shut off by depressing the normally closed pushbutton switch located on the control station.

The valve will not open at restoration of voltage until an authorized person operates the key switch on the control station. This eliminates the danger of gas unknowingly escaping.

For convenience, auxiliary push-buttons, ASCO Catalog numbers 173A19 and 173A20 may be located at various access points throughout the building, for immediate shutoff under emergency conditions.

Silent Operation

Utilization of DC output provided by the relay panel to the valves eliminates constant AC hum.

Appearance

Shallow-depth NEMA Type 1 flush mounted enclosure permits installation directly into the wall for convenience, and elimination of obstructions in corridors or high traffic areas.

Long Life

ASCO dust-tight industrial relay and solid-state rectifier are designed to provide long life.

Ease of Installation

Clearly marked terminals and installation drawings located on inside of door.

Approvals

Originally designed for and approved by the New York City Board of Education for use in public schools.

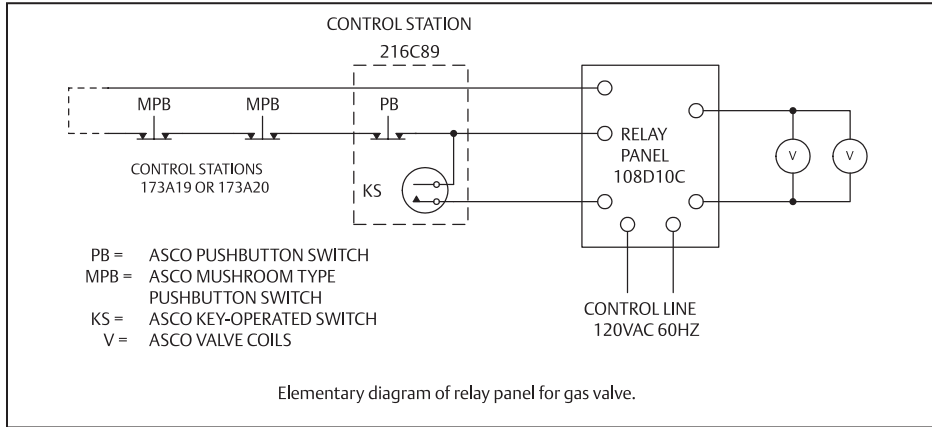


AC Relay Control Panel

Catalog No. 108D90C provides the same features as the DC panels previously described, except with AC voltage output for AC valves. Features a key-operated switch with manual "on" and "off" buttons directly on the cover. 108D90C is for flush mount applications and supports surface mount installations. The 108D90C is also available with 24 VAC, 24 VDC, 120/60 VAC, 208 VAC, and 240 VAC output. Contact ASCO for further details.

ASCO Relay Control Panels

Control System Schematic



Master Control Station

Catalog No. 216C89 consists of a key-operated, normally-open switch and a normally-closed pushbutton mounted in a stainless steel faceplate for flush installation. Switches are labeled "Open" over the key switch and "Shut" over the pushbutton. Four inch square wall box is not included. Required for use with 108D10C; not applicable to 108D90C installs.



Control Stations

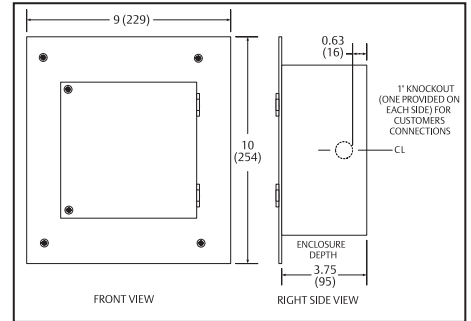
Catalog No. 173A19 (flush mounted) and Catalog No 173A20 (surface mounted) consist of a momentary mushroom push-button labeled "Emergency Stop". When the button is depressed power to valves is shut off, cutting off gas flow in less than 0.1 seconds.

Solenoid Valves

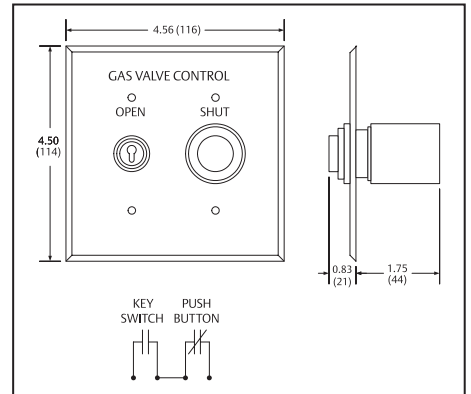
Series 8215 Solenoid Valves feature 2-way normally-closed operation for gas service. They are explosion proof and designed to handle low pressure city gas. Control voltage is 80 to 90 volts DC or 120/60 volts AC.



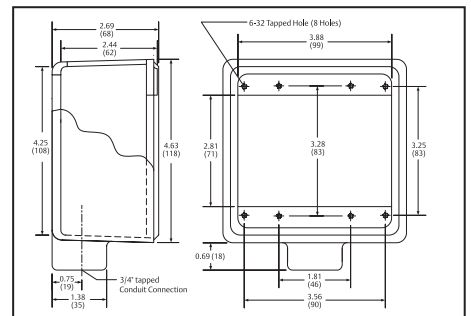
Dimensions



108D10C



216C89



173A19

Solenoid Valves Order by Catalog Number and Voltage (Ex. EF8215G20 80-90VDC) Contact ASCO Valve, Inc. at 800-972-2726 www.ascovalve.com

DC Valves for use with Panel 108D10C

Pipe Size (ins.)	Catalog Number	Max. Pressure (psi)	CV Flow Factor	Holding Watts
1/2	EF8215G20	25	4.4	11.6
3/4	EF8215G30	25	5.1	11.6
1	EF8215B50	25	21	14.9
1 1/4	EF8215B60	25	32	14.9
1 1/2	EF8215B70	25	35	14.9
2	EF8215B80	15	60	14.9

AC Valves for use with Panel 108D90C (replaces AEP2700)

Pipe Size (ins.)	Catalog Number	Max. Pressure (psi)	CV Flow Factor	Holding Watts
1/2	EF8215G20	50	4.4	10.1
3/4	EF8215G30	50	5.1	10.1
1	EF8215B50	25	21	15.4
1 1/4	EF8215B60	25	32	15.4
1 1/2	EF8215B70	25	35	15.4
2	EF8215B80	25	60	15.4

Gas Panels, Master Stations, and Control Stations Order by Catalog Number (Ex.108D10C) Contact ASCO Power Technologies at 800-800-2726 www.ascopower.com