



The ASCO Model 6112 are capacitive load banks designed for outdoor installation when up to 600 kVAr of electrical load is required.

LOAD BANK RATINGS

Standard capacity rating up to:

- 600 kVAR

Standard load step resolution:

- 1 kW
- 1 kVAR

Standard voltage ratings:

- 380-690V
50, 60, 50/60Hz

Airflow and Noise Level

Forced-air cooling is by a propeller type metal-bladed fan, giving horizontal discharge.

Typical noise level is <50dBA at 50Hz. Measurements are taken 3 metres from the load bank and at 90° to the airflow direction. Noise readings are subject to a tolerance of ± 3 dBA.

Load Control

The capacitors are connected to the supply on test by electromechanical contactors fitted internally within the load bank. These are controlled by the SIGMA load control system.

Capacitive load banks will normally be used in conjunction with and daisy-chained to ASCO Froment resistive units to allow non-unity load testing, which is usually specified at 0.8pf, although fully variable power factor loading is possible.

SIGMA allows quick and easy operation without having to resort to lengthy calculations to determine the proportion of resistors and capacitors to be connected for a given kVA at any power factor – for the various voltages and frequencies applied.

For comprehensive information on SIGMA control please see separate data sheet and system layout diagram for further details.

Construction

The frame of the load bank is constructed from 2mm 'Zintec' steel, folded and welded to form a monocoque construction.

Double skinned recessed doors allow easy access to the separate enclosures for control, switch gear and power connections.

Louvers with stainless steel mesh screens are located at each end to provide ventilation for heat dissipation and protection to IP2X. All electrical enclosures are to IP54.

An optional single and four point lifting frame has corner tie bars to connect the frame to the fork base. The overall effect provides a mini crash frame.

Finish

High quality two-pack industrial acrylic paint system applied to an electro-plated zinc base and low-bake finish. Standard colour is grey (RAL7042). Other colours are available on request. Stainless steel construction is also available as an option.

Warranty

The equipment is covered by a 12-month warranty as detailed in our Conditions of Trade.

Model 6112 Specifications

Capacitors

Three phase inductors are used that will also allow single-phase operation.

Fuse failure of one phase only leaving the inductor energized by two phases will not cause any damage to the load inductor.

All capacitors are aluminium cased and each is fitted with bleed reactors.

The 6112 capacitive load banks will operate continuously without ill effects, when absorbing power with the voltage harmonics generated by typical AC generators complying with current standards.

Load tolerance is within 3% of total capacity.

Voltage Rating

Resistive elements and inductors are continuously rated at the specific voltage and frequency stated.

Short-term tests with fluctuations up to 10% above rated voltage are permissible.

Tests at lower voltages, with a corresponding reduction in overall rating, may be carried out. Power is proportional to voltage squared.

Capacitors rated at 60Hz can also be used on 50Hz, but not vice versa. Resistive elements are suitable for both 50 and 60Hz operation.

Safety Features

An emergency stop/disconnect switch gives full isolation of the fan and control supply.

A 110 Volt AC control circuit transformer provides isolation and operator safety.

Stop/start buttons ensure the load bank will not automatically restart. On static load banks provision is also made for the connection of remote stop/start buttons.

The fan motor is fully protected with fuses and a thermal overload.

Movable load banks are also fitted with phase rotation detection to automatically ensure correct airflow direction. Single phasing protection is provided by the overload. Thermal detectors are fitted to protect against overheating in the resistive duct and switchgear enclosure.

Over voltage protection for the control and load circuit is provided by SIGMA load control if specified.

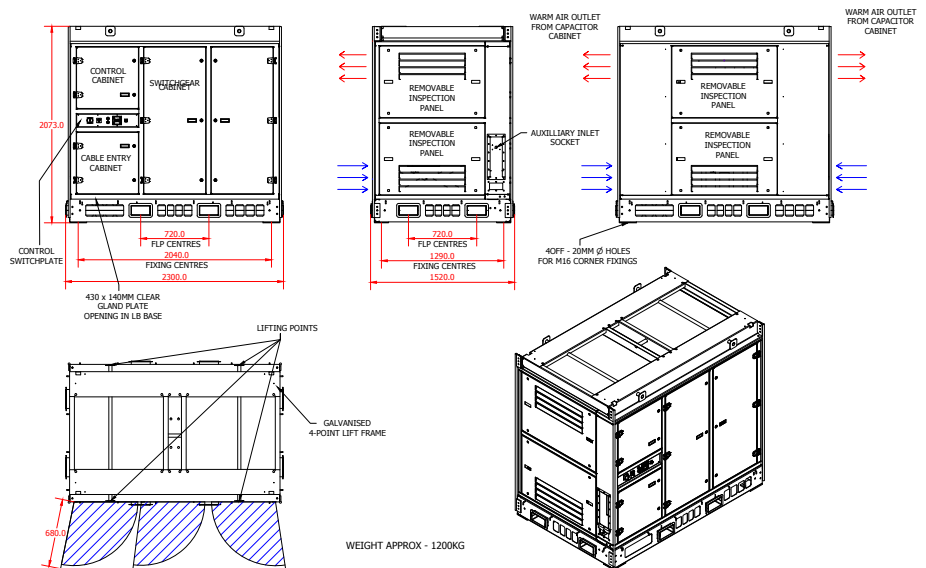
Each element group and its associated contactor are protected by an HRC fuse. This is very important when testing large capacity power supplies, due to the possible high fault currents.

The load contactors are interlocked with the fan controls to ensure load can be applied only when the fan is running.

Internal access is restricted by key operated door catches. Polycarbonate screens behind the doors prevent accidental contact with live parts.

Ambient Temperature and Humidity

Standard load banks are rated at 35°C, when protected from solar radiation. Load banks rated at 50°C are also available.



All dimensions are in millimeters. Specifications subject to change without notice.

Ambient humidity may be up to 90% RH, non-condensing.

Mounting

The load bank is mounted on a hot-dip galvanised forklift pocket base.

Power Terminals & Cable Entry

Power terminals are located behind a dedicated door. A neutral terminal is fitted for instrumentation purposes only.

Static load banks are fitted with a blank non-ferrous gland plate.

Moveable load banks are fitted with a pre-punched, non-metallic gland plate with a flexible rubber shutter, to enable safe temporary power connections to be easily made in a controlled test environment. A blank non-ferrous gland plate is also supplied to enable a fully compliant installation to IP54 if necessary.

The gland plate opening size is 430 x 140mm.

Auxiliary Supply

The fan and control circuit may be powered from an external auxiliary supply or from the supply on test, provided it is of the correct voltage and frequency. Lower voltages and other frequencies must be tested using the external supply.

On static load banks, connection is by internal terminals.

On movable load banks, an IEC 60309-2 plug and socket with a three-position switch enables quick and easy connection.

Optional Accessories

- Anti-Condensation Heater
- Castor Sets
- Dual 50/60Hz Fan & Control Circuit
- Protective Cover
- Raised Base/Legs
- Single and Four Point Lifting Frame
- Special Paint Finish

Please see system layout diagram for further details.

Documentation – Operator Handbook

A comprehensive illustrated operator's manual is supplied. Sections cover safety, installation, commissioning, operation, calibration, maintenance and fault finding.

Testing and Standards

Functional operation and load tests are completed on all load banks, before despatch, in line with our ISO 9001:2008 procedures.

ASCO load banks comply with international standards and are CE marked to confirm compliance with both the EMC and Low Voltage Directives.

Weight and Dimensions

Measurements: mm/in. and kg/lbs.

Model	6112
Length along airflow	2320/91.34
Width across airflow	1540/60.63
Height on forklift base	1910/75.20
Approximate weight	1200/2645
Add height for optional lift frame	165/6.50
Add weight for optional lift frame	130/286

Additional Information

An extensive range of resistive, inductive, capacitive or combined load banks of varying capacities are also available. For further information on this model or any other 6000 SERIES load bank, please contact a member of our sales team.