



The ASCO Model 5830 are resistive, AC trailer mounted or trailer ready load banks designed for outdoor use when up to 3000 kW of load is required.

## LOAD BANK RATINGS

### Standard capacity ratings

- 2500 kW
- 3000 kW

Standard load step resolution of either 5 or 50 kW.

Standard three phase voltage ratings

- 480-60Hz

Please consult factory for non-standard ratings.

### Blower Motor Control

The blower motor(s) are factory wired to the main load bus. Provisions for an external power source are also provided.

An integral 120V, 1 Phase, 60 Hz control power transformer is provided for control circuit operation.

The control power transformer receives its power from the blower motor circuit.

### Cooling System

Approximately 20,000 CFM cooling (per individual vertical frame) is provided by integral TEFC or TEAO motor which is direct coupled to the cooling fan blade.

The fan motor is fully protected with fuses, motor starter contractor, and overload relay.

### Operator Controls

The standard load control for the 5830 is a local manual panel. Controls include: Power On/Off switch, Blower Start/Stop push buttons, Master Load On/Off switch, and Individual Load Step switches. Visual indicators include: Power On, Blower On, and Blower/Air Failure.

### Digital Metering

Advanced Digital Monitoring System (ADMS) is provided for display of Volts, Amps, Frequency, and kW. ADMS also includes Data Logging Software.

### Construction

The 5830 is constructed using heavy gauge aluminized steel per ASTM A463. It is designed for continuous outdoor weatherproof operation. Forklift channels are provided in the base for lifting.

All exterior fasteners are stainless steel. The main input bus, load step relays, fuses, and blower/control relays are located in the main enclosure. A vinyl storage cover is also provided.

### Load Connections

Quick connect cable receptacles are securely mounted to the cool air intake side of the load bank.

### Finish

The 5830 has a high quality baked polyester powder coated finish with a film thickness of 2.8 +/- 0.4 mils per coat. The standard color is gray (ANSI 61).

### Two Year Warranty Included

The equipment is covered by an industry exclusive 24-month parts and labor warranty.

# Model 5830 Specifications

## Resistor Elements

ASCO load banks use helically wound chromium alloy Helidyne elements. Elements are fully supported across their entire length by segmented ceramic insulators on stainless steel rods. These elements are designed to operate at approximately 1/2 of their maximum continuous wire rating.

Elements are positioned within the cooling airstream for optimal performance. Changes in resistance due to temperature are minimized by maintaining conservative watt densities.

The overall load tolerance of the 5830 load bank is -0, +5%. This ensures that advertised kW is delivered at rated voltage.

The elements are continuously rated at the specific voltage. Tests at lower voltages, with a corresponding reduction in overall rating, may be carried out.

## Safety Features

A differential pressure switch is interlocked with the load application controls to prevent load from being supplied if cooling air is not present.

An overtemperature switch is provided to sense the load bank exhaust. The switch is interlocked with the load application controls to disable load from being supplied if an over-temperature condition is present.

The fan motor is protected with fuses and overloads.

Major fault protection is provided by branch circuit fuse protection. Fuse protection is provided on all load steps.

The exterior of the load bank has appropriate warning and caution statements on access panels.

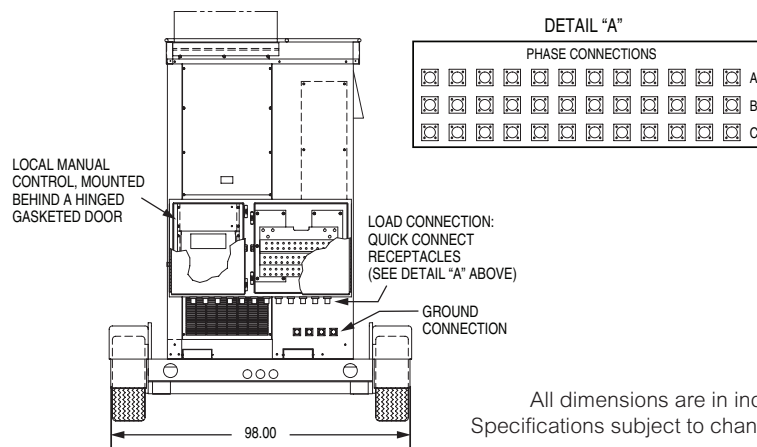
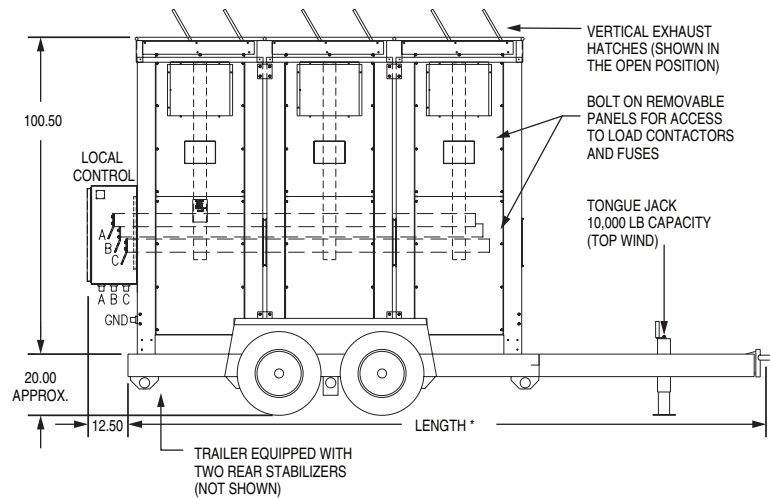
Internal access is restricted by bolt on exterior panels.

The air intake on the 5830 is designed to prevent objects greater than 0.50" diameter from being ingested into the unit.

Vertical air discharge is provided and exhaust air is directed upward away from personnel.

## Ambient Temperature

The 5830 load bank is designed for continuous duty cycle with no limitations. The ambient temperatures range is -20°F to 120°F (-28°C to 50°C).



All dimensions are in inches [millimeters]. Specifications subject to change without notice.

## Trailer

The 5830 is factory mounted and balanced on a DOT and ICC legal trailer. Electric brakes, stabilizer jacks and lunette eyes are provided as standard.

## Optional Accessories

- Cable Reels (Manual or Electric)
- Cable Reel Security Cover(s)
- Lockable Storage Box
- SIGMA 2 Digital Controls
- Spare Tire
- Solar Battery Charger
- Hydraulic Brakes
- 2 5/16 Ball Hitch (3" Pintle Standard)
- Custom Powder Coat Paint Finish

## Documentation - Operating Manual

A comprehensive operator's manual is supplied electronically via a USB drive.

Sections include: Safety, Installation, Operation, Maintenance, and Troubleshooting.

## Testing and Standards

ASCO load banks comply with NEMA, NEC, and ANSI standards. Quality control system is certified to ISO9001 standards.

## Weight and Dimensions

Load Bank System Dimensions (approx. in/mm)			Weight (approx. lb/kg)
Length	Width	Height	
*	98/ 2489.2	133/ 3378.2	*

\*NOTE: Length & Weight are dependent on available option selection.