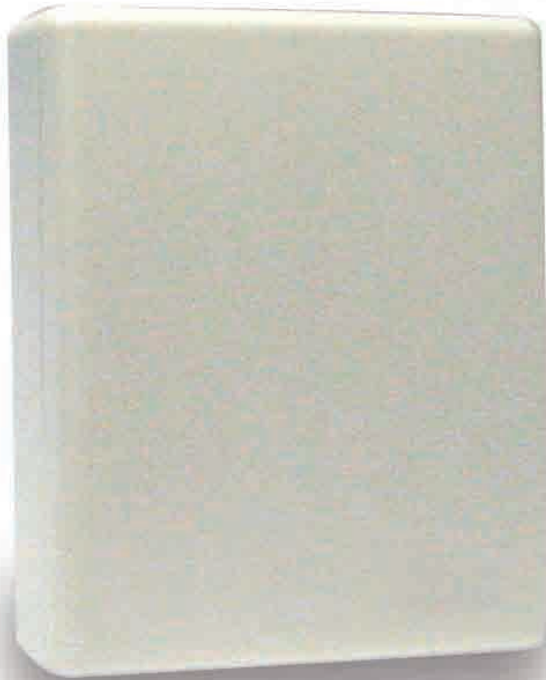


Andover Continuum™

Wireless Infinet
Field Bus

Andover Continuum™ is the first system to offer a full-range
Wireless Field Bus solution



Andover Continuum Wireless Infinet Field Bus Features



PRODUCT AT A GLANCE

- Lower Installation Costs
- Add Controls to Difficult-To-Wire locations
- Compatible with all Andover Continuum Infinet Field v3.5 Controllers
- 2.4 GHz Wireless Mesh Technology
 - Auto-Connecting
 - Self-Healing
- Wireless Adapter Powered by Controller
- Wireless Repeaters to help with signal propagation throughout the site
- Wireless Maintenance Tool to facilitate wireless network set up and management
- Software Selectable Channels
- Small and Attractive Form Factor Suitable for Architectural Space



Wireless technologies can be found in all the corners of the globe from mobile phones to wireless hotspots in airports where travelers can browse the Internet.

As a result, wireless has lowered installation costs while providing a level of connectivity freedom never before seen. The Andover Continuum Wireless Andover Continuum Infinet solution now introduces these cost savings and ease of installation benefits to the world of building automation.

Lower Costs and Solve Wiring Challenges

Wiring a field bus can be very labor intensive. Many field buses require controllers to be wired serially in a daisy chain, increasing the run lengths. Furthermore, certain controller locations may be extremely hard to wire, yet easily accessed by wireless. Wireless solves these challenges while greatly reducing the labor required for connectivity.

Full Family of Wireless Andover Continuum Infinet Controllers

Any one of the 17 Andover Continuum i2 Infinet controllers with version 3.5 firmware can become part of a wireless mesh. As a wireless Infinet controller, these controllers support the same objects and Plain English programs as when they are wired to an Infinet RS-485 field bus. An Ethernet level controller with wireless firmware, such as a bCX1, is required to manage the wireless network.

2.4 GHz Wireless Mesh Provides High Reliability

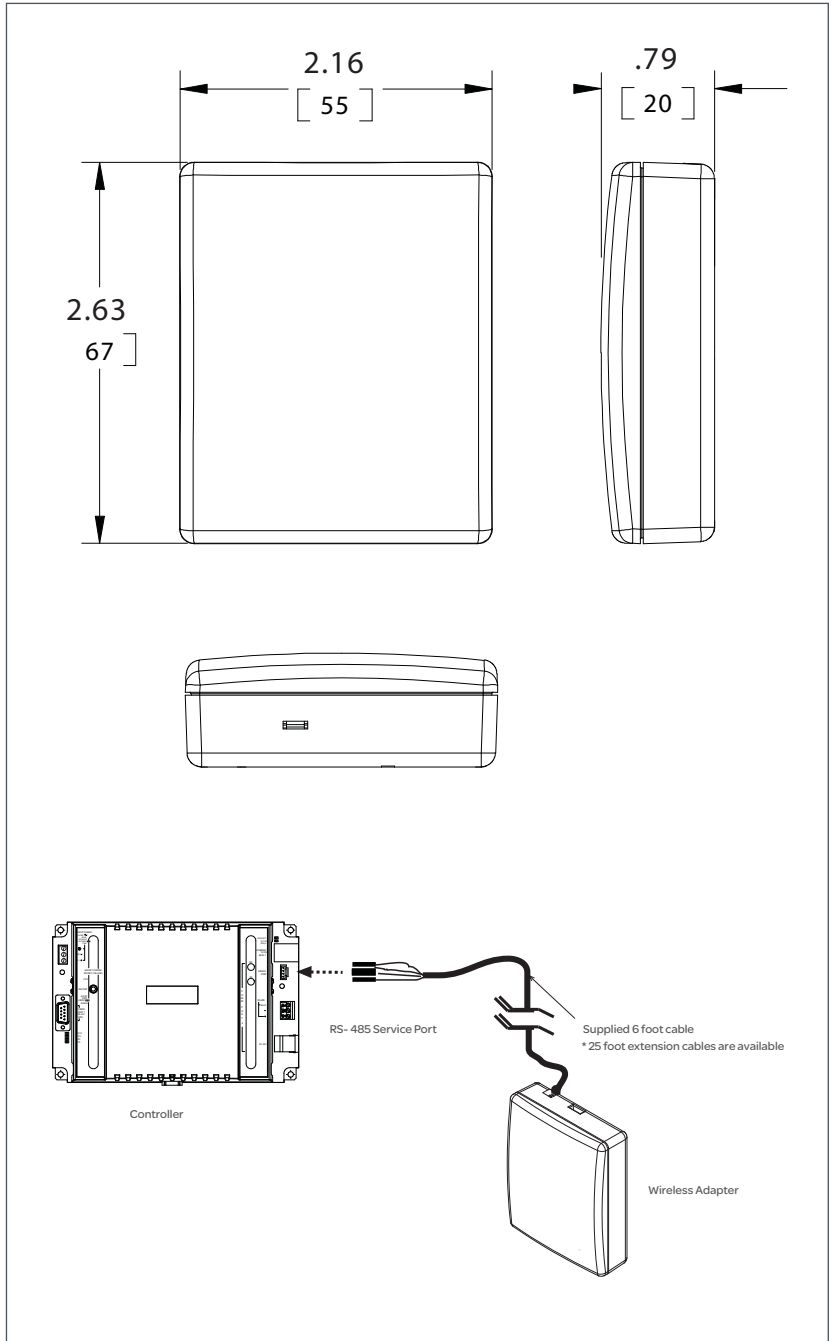
Like a spider web, a wireless mesh becomes stronger with every node that is added to the system. If a node becomes unreachable, the mesh simply heals itself by connecting to the next nearest neighbors. The wireless nodes operate at the 2.4 GHz wireless frequency, which has been approved for use in countries worldwide. The transmission level of each node can be attenuated by the software for use in radio sensitive environments. The software can also be used to select channels for systems with multiple communications buses.

Andover Continuum Wireless Infinet Field Bus Features (continued)

Small, Attractive Wireless Adapter/Repeater

Andover Continuum controllers communicate wirelessly when a Wireless Adapter is connected to its service port. The adapter itself contains the wireless antenna and is connected to the controller with a cable that allows for flexible mounting options. The adapter is powered directly from the 3.3V power feeds of the controller's service port. Power kits are available to run the adapter as a repeater to bridge controllers that are far apart. The adapter is plenum rated and may be mounted outside the controller enclosure or within an architectural space. The adapter is light and mounts with a single screw, adhesive tape, or tie wrap.

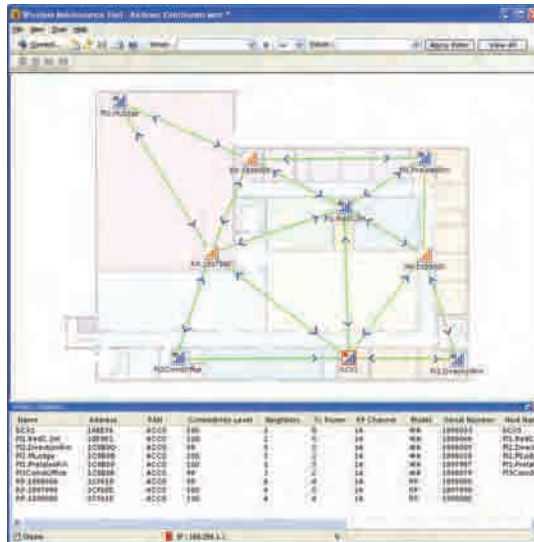
Dimensional Drawings



Andover Continuum Wireless Infinet Field Bus Features (continued)

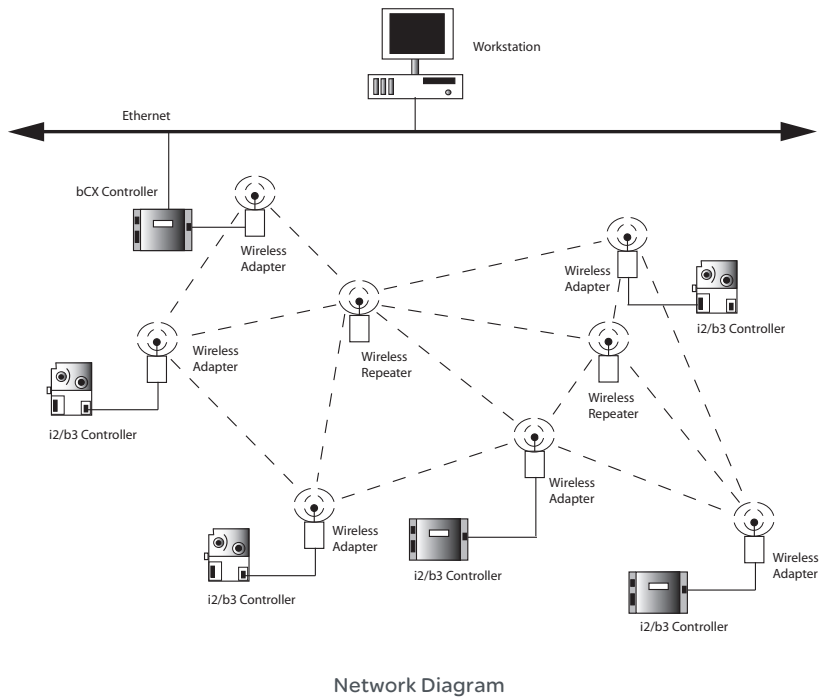
Wireless Maintenance Tool for Mesh Optimization

Visualize your wireless mesh with the Wireless Maintenance Tool. The maintenance tool automatically discovers all wireless adapters and repeaters while showing the signal strength of each node, its neighbor table and the line quality of each connection. The graphic display allows you to arrange the wireless nodes over a floor plan graphic, making it easy to see if the placement of the wireless adapter needs to be modified or if repeaters need to be added.



Andover Continuum Wireless Infinet Field Bus Architecture

Instead of a single wired connection for communication, a wireless network controller can communicate with up to 32 wireless field level controllers through multiple paths. This way if one path is obstructed, transmission signals can propagate through alternate routes. Repeaters can be added to the network to help with single propagation and additional redundancy.



Andover Continuum Wireless Infinet Field Bus Specifications



Wireless Infinet Fieldbus

Power

Wireless Adapter

Input Power: 3.3 VDC \pm 5% @ 75 mA (Supplied by controller via service port connection)

Wireless Adapter (Operating as a Repeater)

Input Power: 3.3 VDC - 5 VDC \pm 5% @ 75 mA

(Supplied by external power supply)

Wireless Repeater Power Supply

Input Power: 100 - 240 VAC @ 0.25 A, 50/60 Hz (Auto-switching)
Output Power: 5 VDC @ 1 A

Environmental

Wireless Adapter/Repeater

Standard Operating Temperatures:

-40 to 185 °F (-40 to 85 °C)

Storage Temperature:

-40 to 185 °F (-40 to 85 °C)

Humidity (non-condensing): 0 - 95%

Wireless Repeater Power Supply

Standard Operating Temperatures:

32 to 104 °F (0 to 40 °C)

Storage Temperature:

-13 to 185 °F (-25 to 85 °C)

Humidity (non-condensing): 10 - 95%

Repeater Power Supply is not intended for outdoor applications.

Communications/Connections

Wireless Communications

Frequency Range: 2.4 GHz with

16 software selectable channels

Modulation Type: O-QPSK Direct

Sequence Spread Spectrum (DSSS)

Standard: IEEE 802.15.4

Speed: 250 Kbps

Output power: -15 through +6dBm

software selectable

(+10dBm radiated at +6dBm setting)

Transmission Range:

650 Feet (200 Meters)

Outdoors Line of Sight

30 - 200 Feet (10 to 60 Meters)

Indoor Range

Distances vary based on environmental conditions

Antenna: Internal

RS-485 Speed: 50k baud

RS-485 Connector: Four pins

(two data, one power, one ground)

Agency Listings (Wireless Adapter)

FCC - Federal Communications

Commission

FCC Rules and Regulations CFR 47, Part 15, Class C

FCC ID: DVE-WIRELESS

IC - Industry Canada Radio Equipment

IC RSS 210 Industry Canada

IC: 1026A-WIRE

CE - Compliance to European Union (EU)

89/336/EEC - EMC Directive

EN300328/EN30149, EMC -

Radio Spectrum Matters

C-Tick - Australian Communications

Authority (ACA)

AS/NZS 3548

WEEE - Directive of the European

Union (EU)

2002/96/EC

UL - Underwriter Laboratories

UL916

All brand names, trademarks and registered trademarks are the property of their respective owners. Information contained within this document is subject to change without notice.

On October 1st, 2009, TAC became the Buildings Business of its parent company Schneider Electric. This document reflects the visual identity of Schneider Electric, however there remains references to TAC as a corporate brand in the body copy. As each document is updated, the body copy will be changed to reflect appropriate corporate brand changes.

Schneider Electric One High Street, North Andover, MA 01845 USA Telephone: +1 978 975 9600 Fax: +1 978 975 9674 www.schneider-electric.com/buildings

SDS-C-WIRELESSINFINET-A4.BU.N.EN.6.2006.0.00.CC

June 2006 pdw