

VTB & AB Zone Valve and Actuator



APPLICATION

The VTB valve body with AB33U actuator is a ball valve assembly used primarily to control the flow of water in Fan Coil Unit for central heating, ventilation and air-conditioning systems.

The valve and actuator have been designed for higher close off differential pressure applications. The addition of the IP65 rating ensures that the assembly can be used in a variety of applications.

SPECIFICATIONS

Design	2-way and 3-way ball valve A → B normally closed
Pressure class	PN20
Rotary range	90 ± 5°
Leakage rate (EN12266-1)	≤ 0.01% Kv
Media compatibility	Chilled Water, hot Water, up to 50% Glycol Water
Media temperature	+5°C to +95°C
Connection	BSP to ISO 7-1
Protection class	IP65
Power supply	220V AC +/-10%
Current frequency	50/60 Hz
Control signal	On/off
Power consumption	<7 VA when working
Maximum working differential pressure	2.5bar
Close-off pressure	6 bar

Material

Body	Forged Brass
Ball	Stainless steel
Ball seat	PTFE
O-ring seal	EPDM
Actuator housing	Fireproof ABS

KEY FEATURES

- DN15 to DN25 covers most FCU application
- Up to 6bar close-off pressure
- Tight close-off with lower leakage on terminal for improved energy efficiency
- IP65 protection class, for durability in difficult applications
- Higher flow capacity reduces the pressure drop through each valve, resulting in lower pump head reduction
- PN20 pressure class for added safety in large hydraulic systems

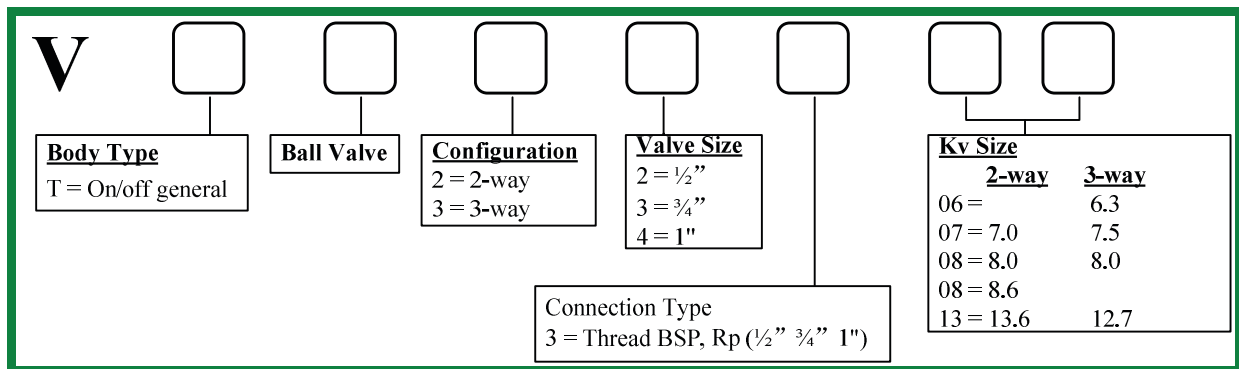
VALVE SELECTION

Size	Kv (m ³ /h)	Part Number	Close off ΔP (kPa)	Connection	Type	Actuator
DN15	7	VTB22207	600	F-BSP	2-way	AB33U000
DN20	8.0	VTB23208	600	F-BSP	2-way	AB33U000
DN25	8.6	VTB24208	600	F-BSP	2-way	AB33U000
DN25	13.6	VTB24213	600	F-BSP	2-way	AB33U000
DN15	6.3	VTB32206	600	F-BSP	3-way	AB33U000
DN20	7.5	VTB33207	600	F-BSP	3-way	AB33U000
DN25	8	VTB34208	600	F-BSP	3-way	AB33U000
DN25	12.7	VTB34213	600	F-BSP	3-way	AB33U000

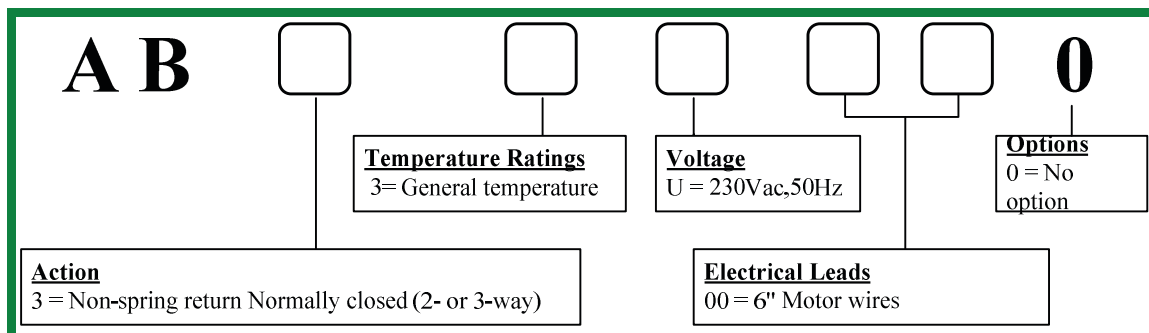
ACTUATOR SELECTION

Rated torque	Part Number	Control method	Supply power	Protection class
2 Nm	AB33U000	On/off	220V ± 10%	IP65

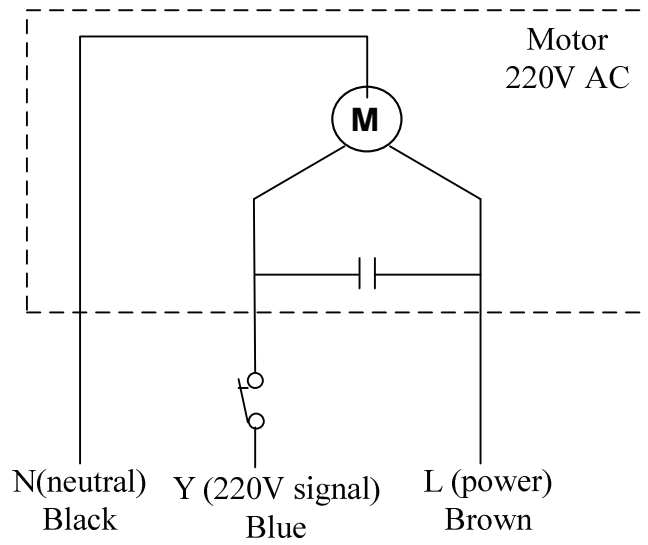
Valve Part Number



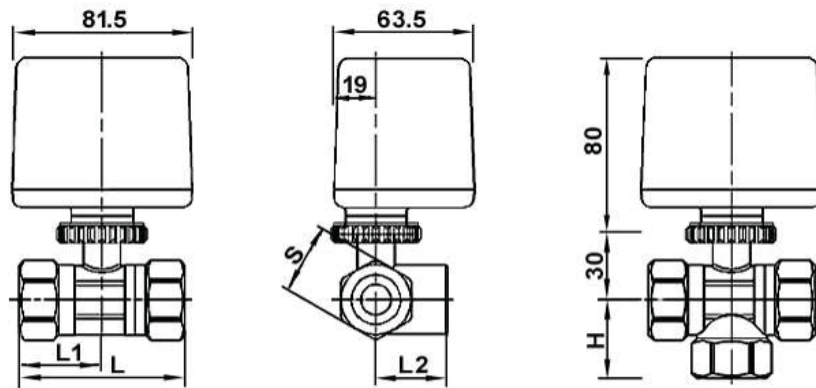
Actuator Part Number



ACTUATOR WIRING DIAGRAM



DIMENSION [mm]



DN	L	L1	L2	H	S
1/2" (DN15)	67	33.5	34	34	27
3/4" (DN20)	66	33	36	36	32.5
1" (DN25)	88	44	38	40	40

