

Surge Protective Device

Technical Documentation



The **ASCO Model 105** is a din rail mountable, single pair surge suppression module implementing three-stage hybrid technology. This module addresses over-voltage transients with gas tubes and silicon avalanche components. In addition, sneak currents are mitigated with resettable fuses (PTCs). The PTCs increase resistance several orders of magnitude when over-currents exceed increased levels. A normal state resumes when over-currents are removed. The ability to self-restore in this manner significantly increases suppressor performance and survivability.

The Model 105 mounts onto a standard 35mm industrial din rail. There are three “Field Side” and three “Electronics Side” screw terminals. One is reserved for a shield. Three electrically tied ground terminals are provided for grounding the Model 105 unit to Building-Approved Ground. Shield is isolated from ground.

General Technical Specifications

Operating Voltage	6 - 35 VDC
Clamping Voltage	8 - 43 VDC
Operating Current	0.15 A
Peak Surge Current	10 kA (8x20µs)
Max Current I _p (Occurrences)	>100 (10x1000µs)
Typical Capacitance	1500pf
Nominal Series Resistance	5 Ω
Enclosure	NEMA 1 (IP 20)
Response Time	< 1 nanosecond
Operating Temperature	-40°C to 85°C
Certifications	UL 497B
Limited Warranty	5 years

105D200S08KAN3D0 Special Features

Operating Voltage	170 VDC
Clamping Voltage	200 VDC
Operating Current	5 Amp
Max Current I _p (Occurrences)	>10 (10x1000µs)
Total Peak Surge Current Rating	8 kA (8x20µs)
Nominal Series Resistance	None

Key Specs

- **Voltage:** 0-35 VDC
- **Current:** 150 mA
- **Connection:** Hardwire/Terminals - accepts up to 12 AWG
- **Mounting:** DIN - 35mm

Features

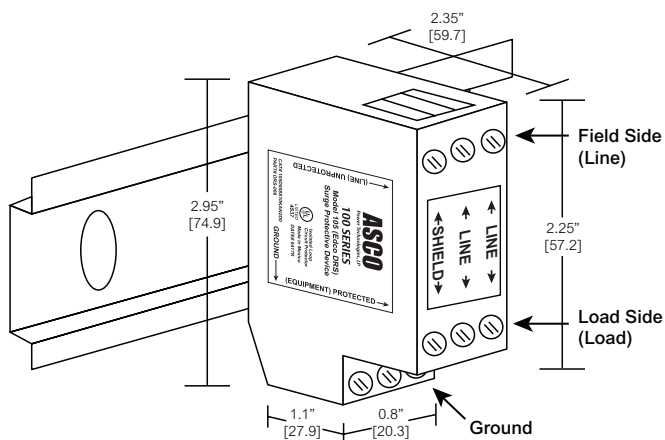
- Low-voltage data surge protection
- Three-stage hybrid protection
- Sneak/fault current protection with resettable fuses (PTCs)
- Low profile packaging
- Easy installation
- Fits standard 35mm DIN-Rail

Certifications

- UL 497B

Installation Instructions

3-TERMINAL DEVICE



Wire Size Range = 22-12 AWG
Terminal Torque Rating = 0.8 Nm (7 in-lb)

Ordering Information

MODEL

Former Model Name

APPLICATION

105D008S10KAN3D0 <i>Edco DRS-008</i>	0-8 VDC
105D030S10KAN3D0 <i>Edco DRS-030</i>	0-30 VDC
105D036S10KAN3D0 <i>Edco DRS-036</i>	0-36 VDC
105D200S08KAN3D0 <i>Edco DRS-130RMS</i>	0-200 VDC

Other Models Available. Contact Factory.