

Compatible with  
SmartStruxure™ solution  
SmartStruxure™ Lite solution

# EnOcean 902 MHz

## Wireless 3-Wire Relay Receivers SED-3R Series

The EnOcean® Wireless 3-Wire Relay Receiver Series control lights or other loads by communicating wirelessly with other EnOcean-enabled devices and can be integrated into SmartStruxure and SmartStruxure Lite solutions.



# EnOcean 902 MHz Wireless 3-Wire Relay Receivers SED-3R Series



The Relay Receiver mounts to junction box knockout holes with a threaded nipple or inside wiring cavities; preferably in plastic enclosures for maximum wireless range.

The Relay Receiver's compact size enables flexible installation inside of or next to electrical boxes and fixtures so it can be easily wired out of sight using standard wiring practices.

## Features and Benefits

- **Interoperable.** Communicates wirelessly with other devices using the EnOcean wireless standard
- Enables control of lights and other electric loads.
- Two molded buttons with LED indicator lights can be used to configure or manually control the device.
- Compact size enables flexible installation inside or next to electrical boxes and fixtures.

## Typical Applications

The 3-Wire Relay Receiver can be used in conjunction with EnOcean-enabled rocker pads, sensors and occupancy detection devices to provide local or remote control of lighting fixtures and other electrical loads. It uses standard line voltage wiring and can be conveniently installed within a standard electrical box or connected to the box using the threaded connector provided.

## Integration

EnOcean devices can be wirelessly integrated to SmartStruxure solution and SmartStruxure Lite solution using EnOcean-enabled MPM devices. MPM devices support many EnOcean frequencies. Make sure you have selected the right model for this application.

## Specifications

### Dimensions

2.11 x 1.73 x 1.09 inches  
(54 x 44 x 28 mm)

### Mounting

- Install inside standard electrical box
- Connect to electrical boxes and fixtures using threaded nipple

### Power Supply

24 VAC, 50/60Hz

### Maximum Load

General Purpose: 16 A

A300 Pilot Duty:

3R120 360 VA

3R240 720 VA

3R277 830 VA

Motor Loads:

3R120 1/2 HP

3R240 1 HP

3R277 1 HP

Tungsten (Incandescent):

3R120 1500 W

3R240 3000 W

3R277 3400 W

Fluorescent Ballast: 8 A

### Wire Color - Hot:

Black

### Wire Color - Neutral

3R120 White

3R240 Brown

3R277 Gray

### Relay Output

1 FORM C Relay COM, N.O., N.C.

### Memory

Stores up to 25 switch IDs

### RF Communications

EnOcean 902 MHz

### Transmission Range

50-150 ft. (16-48 m)

### EEP (EnOcean

### Equipment Profile)

A5-38-08

### Operating Temperature

14° to +122°F (-10° to +50°C)

### Storage Temperature

-4° to +176°F (-20° to +80°C)

### Agency Compliance

ETL Certified

(USA): UL244A

(Canada): CSAC22.2#14-05

902 MHz Contains:

FCC: SZV-TCM320U

I.C.: 5713A-TCM320U

### Plenum Rating

UL2043



Check with your local government for instruction on disposal of these products.

## Equipment Profiles

### Devices Supported

Wireless Light Switches EEPs: F6-02-01, F6-02-02, F6-03-01, F6-03-02

Key Card Switch EEPs: F6-04-01, F6-02-01, F6-02-02

SLT Wireless Sensor EEPs: F6-02-01, F6-02-02, Proprietary

Wireless Occupancy Sensors EEPs: A5-07-01, A5-07-02, A5-07-03

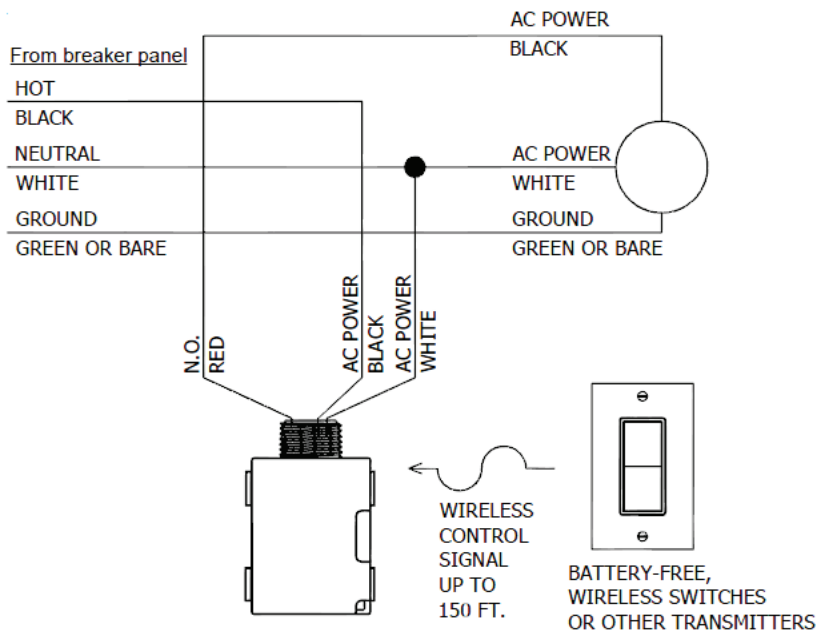
Door/Window Sensor EEP: D5-00-01, A5-30-01

Light Sensor EEP: A5-06-01, A5-06-02

Central Command EEP: A5-38-08 - untimed commands only

# EnOcean 902 MHz 3-Wire Relay Receivers SED-3R Series

## Wiring Diagram



## Ordering Information

Item Number	SED-3R120-U-5045	120 V
	SED-3R240-U-5045	240 V
	SED-3R277-U-5045	277 V
Item Description	3-Wire Relay Receiver, 902 MHz	
Color	White	