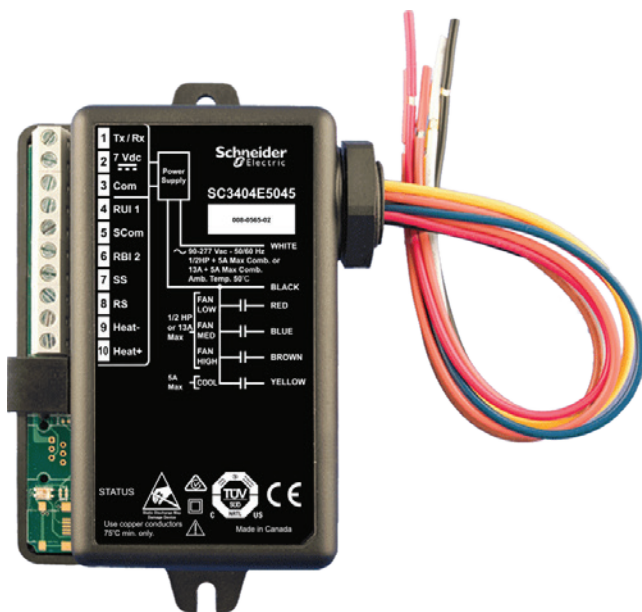


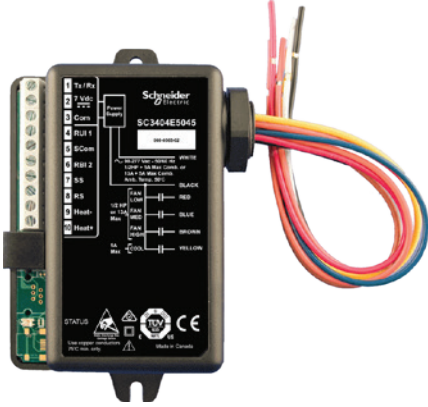
Room Controllers

SC3000 Relay Pack

The SC3000 is a relay pack for line-voltage fan coil units. The device is used with SER7300 and SER8300 room controllers as a two component retrofit option.



SC3000 Relay Pack Features



AT A GLANCE

- Compact design
- Models for 2-pipe and 4-pipe FCU
- Up to 3 speed fan control
- Up to 4 FCU remote inputs
- Up to 5 FCU outputs including heat, cool, fan and modulating pulsed reheat

A compact and easy to install relay pack for line-voltage fan coil units to be used in combination with room controllers.

Introduction

The SC3000 relay pack is part of a two component retrofit option for line-voltage fan coil units. The relay pack must be combined with either SER7300 or SER8300 room controllers.

The SC3000 relay pack features an onboard universal voltage power supply and line-voltage relays which directly drive fractional horsepower fan motors and valves. This eliminates the need to install and wire costly pilot relays and transformers.

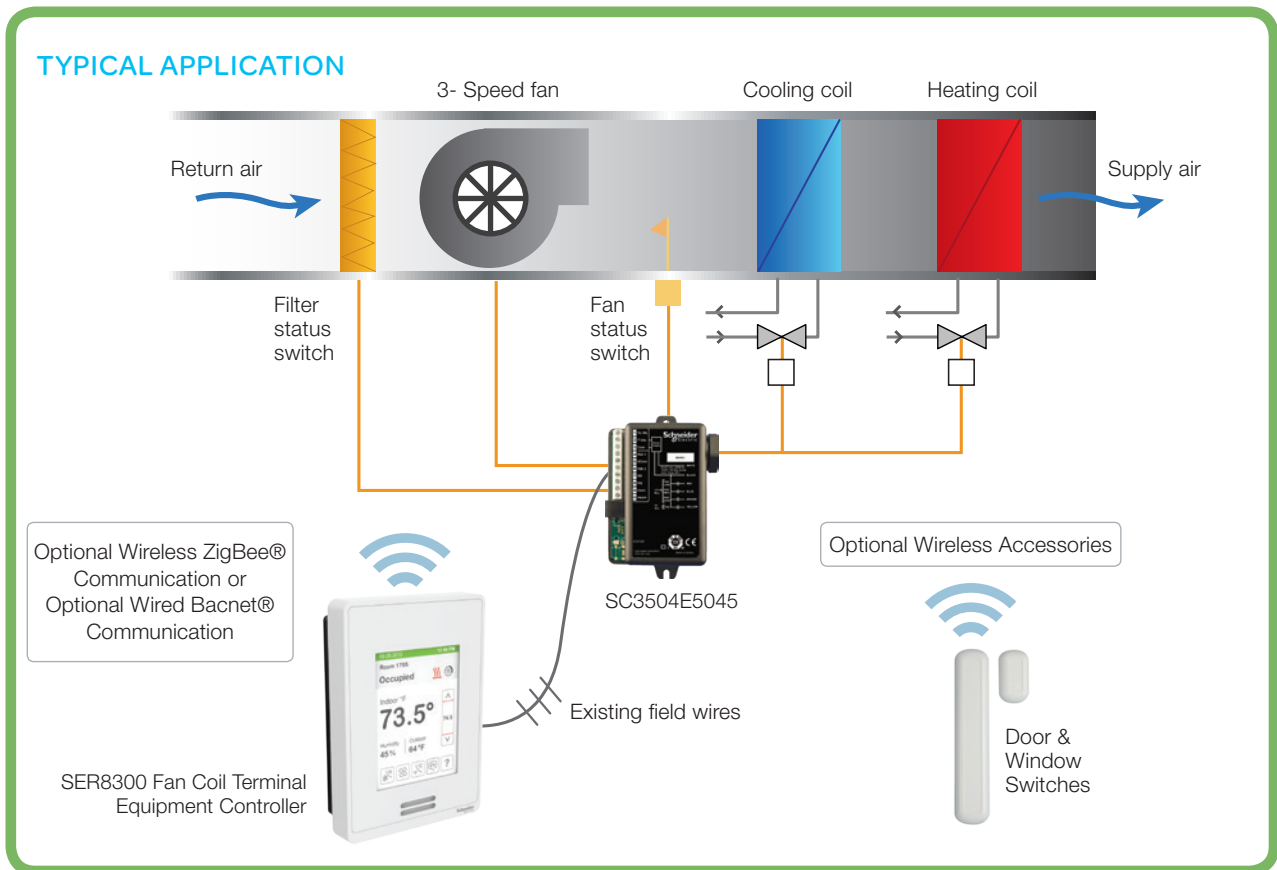
No previous building automation training is required for the installation and commissioning process.

Existing line voltage wiring between the fan coil unit and temperature controller can be reused further minimizing overall labor and installation costs.

SC3000 Product Highlights

- Extremely compact design
- Line powered from 90 to 277 VAC 50-60 Hz
- Wire-leads for line-voltage connections
- Direct line switching of fan speed and valves
- Directly switches single phase electric resistive heater up to 10 Amps
- Dedicated supply air sensor for monitoring (model dependent)
- Dedicated return air sensor for control (model dependent)
- Two extra monitoring binary inputs (model dependent)
- Extra SSR output for low cost electric heat modulation (model dependent) utility

SC3000 Relay Pack Applications and Specifications



Specifications

SC3000

Dimensions

Height: 12cm/4.72in
Width: 8.6cm/3.38in
Depth: 2.5cm/1in

Power Requirements

7.0 VDC +/- 10% 2.4 watts minimum

Operating Conditions

0 °C - 50 °C (32 °F - 122 °F)
0% to 95% R.H. non-condensing

Storage Conditions

-30 °C - 50 °C (-22 °F - 122 °F)
0% to 95% R.H. non-condensing

Temperature Sensor

Local 10 K NTC type 2 thermistor

Temperature Sensor Resolution

± 0.1 °C (± 0.2 °F)

Temperature Control Accuracy

± 0.5 °C (± 0.9 °F) @ 21 °C (70 °F) typical calibrated

Humidity Sensor and Calibration

Single point calibrated bulk polymer type sensor

Humidity Sensor Precision

Reading range from 10-90 % R.H.
non-condensing 10 to 20% precision: 10%
20% to 80% precision: 5%
80% to 90% precision: 10%

Humidity Sensor Stability

Less than 1.0 % yearly (typical drift)

Dehumidification Setpoint Range

30% to 95% R.H.

Occ, Stand-By and Unocc Cooling Setpoint Range

12.0 to 37.5 °C (54 - 100 °F)

Occ, Stand-By and Unocc Heating Setpoint Range

4.5 °C - 32 °C (40 °F - 90 °F)

Room and Outdoor Air Temperature Display Range

-40 °C - 50 °C (-40 °F - 122 °F)

Proportional Band for Room Temperature control

Cooling & Heating: Default: 1.8°C (3.2°F)

Binary Inputs

Dry contact across terminal BI1, BI2 & UI3 to Scdm

Wire Gauge

14 gauge maximum, 22 gauge recommended

Approximate Shipping Weight

0.34 kg (0.75 lb)

Safety Standards All Models

LVD Directive 2006/95/EC
CAN.SSA C22.2.NO.24
UL 873
EN 60730-2-9

EMC Standards All Models

EMC Directive 2004/108/EC
IEC 61326-1:2005
FCC 15 Subpart B
ICES-003

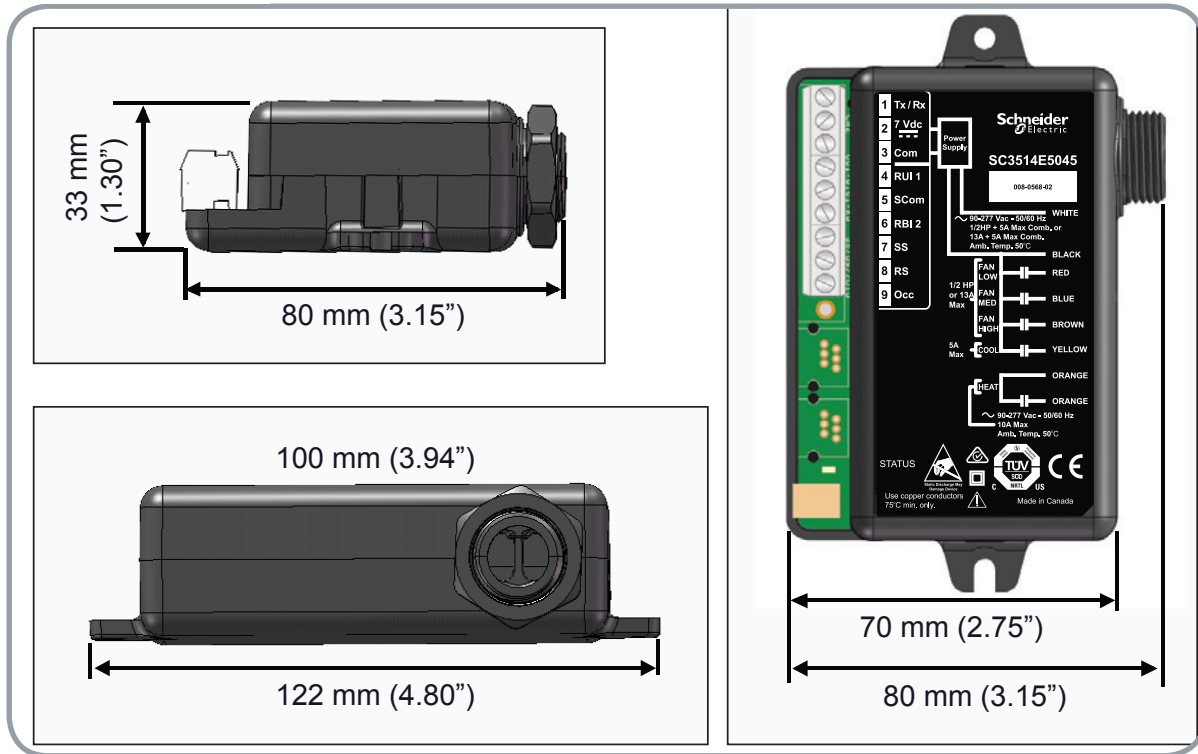
THIS DEVICE COMPLIES WITH PART 15 OF THE FCC RULES. OPERATION IS SUBJECT TO THE FOLLOWING TWO CONDITIONS: (1) THIS DEVICE MAY NOT CAUSE HARMFUL INTERFERENCE, AND (2) THIS DEVICE MUST ACCEPT ANY INTERFERENCE RECEIVED, INCLUDING INTERFERENCE THAT MAY CAUSE UNDESIRABLE OPERATION.



Please check with your local government for instruction on disposal of these products.

SC3000 Relay Pack

Dimensions



Ordering information

Part numbers	SC3500E5045	SC3504E5045	SC3514E5045 (with occupancy output)	SC3400E5045	SC3404E5045	SC3300E5045 (slave fan unit)
Applications	<ul style="list-style-type: none"> 2 pipes 2 pipes with reheat 4 pipes 	<ul style="list-style-type: none"> 2 pipes 2 pipes with reheat 4 pipes 	<ul style="list-style-type: none"> 2 pipes 2 pipes with reheat 4 pipes 	<ul style="list-style-type: none"> 2 pipes 2 pipes with modulating pulsed reheat 	<ul style="list-style-type: none"> 2 pipes 2 pipes with modulating pulsed reheat 	Slave fan control only
Fan control	Up to 3 speed	Up to 3 speed	Up to 3 speed	Up to 3 speed	Up to 3 speed	Up to 3 speed
Monitoring inputs	None	4 FCU remote inputs	4 FCU remote inputs	None	4 FCU remote inputs	None
Control types	On-Off line switched valve output control <ul style="list-style-type: none"> 1 heat / cool output 1 cool output 3 fan outputs 	On-Off line switched valve output control <ul style="list-style-type: none"> 1 heat / cool output 1 cool output 3 fan outputs 	On-Off line switched valve output control <ul style="list-style-type: none"> 1 heat / cool output 1 cool output 3 fan outputs Occupancy output (7VDC) 	On-Off line switched valve output control <ul style="list-style-type: none"> 1 heat / cool output 1 Modulating pulsed Vdc output for SSR electric reheat control 3 fan outputs 	On-Off line switched valve output control <ul style="list-style-type: none"> 1 heat / cool output 1 Modulating pulsed Vdc output for SSR electric reheat control 3 fan outputs 	Slave fan control only <ul style="list-style-type: none"> 3 fan outputs

All brand names, trademarks and registered trademarks are the property of their respective owners. Information contained within this document is subject to change without notice.