

EasyLogic 1350 Revenue Meter

NMI M 6-1 Standard Compliant

Technical data sheet



EM1350 revenue meters

Functions and characteristics

PE114314



EM1350 revenue meter

The EasyLogic EM1350 revenue meter offers all the basic energy measurement capabilities required to monitor an electrical installation in a single 144 x 144 mm unit. Characterized by their rugged construction and low installation costs, these state-of-the-art meters are ideal for tenant metering, sub-billing, control panels, motor control centres and genset panels.

The National Measuring Institute of Australia establishes the framework for the regulation of measuring instruments used for energy trade. NMI act requires all the measuring instruments used for trade to be pattern approved and verified. The EM1350 meters are fully complied to NMI M6-1 edition 2 standard and pattern approved.

Applications

- Revenue metering: tenant billing, sub-billing, secondary billing, tariff metering.
- Panel metering instruments.
- Industries, commercial buildings, shopping malls.

PE114307



EM1350 Front panel parts

- A - Voltage Line Indicators (Green)
- B - Backlit LCD Display
- C - Keys
- D - Calibration LED (Red)
- E - Units/Menu Items
- F - Values

Main characteristics

- Elegant single row, bright backlit LCD display.
- Fast in-line view, three parameters name and value at one glance.
- Direct reading of primary values - no multiplication factor.
- Kilo, Mega, and Giga indications with autoscaling capability.
- User selectable default display page and lock.
- Non-resettable energy counter.
- Inbuilt counter to record the number of set up events and energy overflow counts.
- Partial energy counter for batch/ process energy accounting
- Comprehensive sealing arrangement as per NMI M 6-1 standard Test Pulse LED, in front of meter, for testing the calibration of the meter.
- Healthy phase indicators.

High Resolution

- RMS values: 4 digits
- Energy values: 10+3 digits

Auto-scrolling

- Allows you to monitor a group of parameters sequentially without any manual key operation.

Secure settings

- Unique password protection for the setup parameters.

Smart line indicators

- Helps you to check the presence of input supply voltage (healthy phase).

Smart Diagnostic

- CT missing.
- Communication Status Indication
- PT missing.

PE114308



EM1350 Rear panel parts

- A - Input current terminals A1, A2, A3
- B - RS-485 terminals
- C - Auxiliary supply (control power) 44 to 277 V AC/DC
- D - Input voltage terminals V1, V2, V3, VN 80 to 480 V AC L-L

Part numbers

Energy meter	Part number
EM1350 Class 1.0, 5 A with RS-485	METSEEM1350

EM1350 revenue meters

Functions and characteristics (cont.)

PE114814



EasyLogic EM1350 revenue meter

Measurements		EM1350
General		
Use on LV and HV systems		■
Power accuracy		±1.0 %
Energy accuracy		±1.0 %
Power factor accuracy		±0.5 %
Instantaneous rms values		
Active, apparent, and reactive power	Per phase and total	■
Active, apparent, and reactive energy		■
Power factor	Per phase and average	■
Communication		
RS-485 communication (2 terminals)		1
MODBUS RTU protocol		■
CT Secondary		
5 A		■

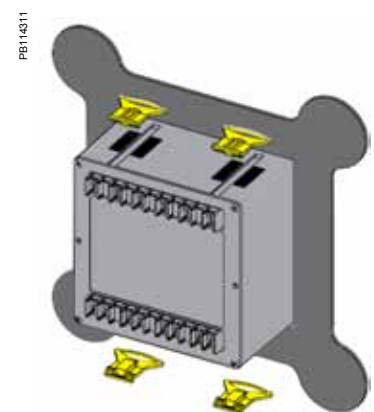
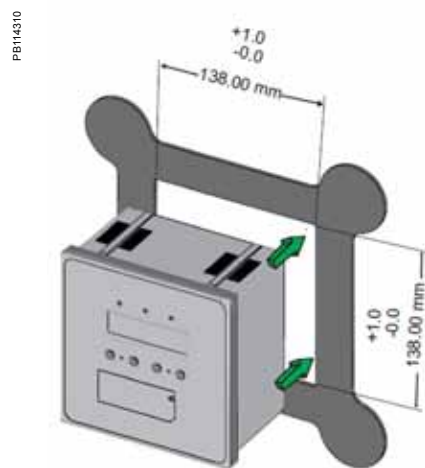
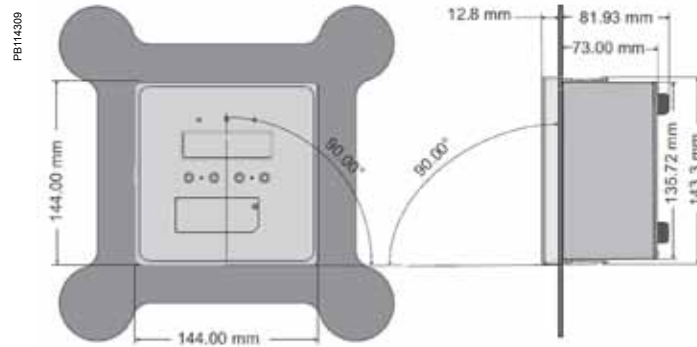
Technical Specifications		
Features	NMI M 6-1 Ed 2	For Accuracy and Type test
	Accuracy	1.0
Sensing/ measurement		True RMS, two quadrant power and energy, one second update time
Measurement accuracy	Active Energy	Class 1.0 as per NMI M 6-1 Ed 2, AS 62053-21 / IEC 62053-21
	Active Power	Class ±1.0
	Power factor	
	Apparent Power & Energy	Class 2.0 as per IEC 62053-23
Reactive Energy		
Control power	AC / DC	44 to 277 V
	AC Frequency	50±2.5 Hz
	AC burden	< 5 VA
	DC burden	< 2 W
	Installation category	III
Voltage input	Measured Voltage (AC)	230 V/ 63.5 V L-N (415 V/110 V LL) ± 20%
	Frequency	50±2.5 Hz
	Burden	< 0.2 VA per phase
	Installation category	III
Current inputs		5 A nominal
	Measured current	100 mA to 6 A; Starting current 10 mA
	Withstand	10 A continuous
	Burden	< 0.2 VA per phase at 5 A
Product Weight		550 gms approx
Communication		RS-485 Port, Modbus RTU Protocol, Baud Rate, 4800, 9600, 19200
Display	Resolution	128 x 32
	Display Type	Monochromatic, FSTN, +ve Transflective
	Backlight	White LED
	Viewable area	68 x 18.5 mm
Standards and Certifications		NMI M 6-1 Ed 2 and C-Tick
	Measurement Category	III
	Protective Class	II
Environmental characteristics		Double insulated at user accessible area
	Operating temperature	-10°C to +60°C (14° to 140°F) 5% to 95% RH non-condensing at 50°C (122°F)
	Pollution	2
		IP51 front display, IP20 meter body (excluding terminals)
	Emission	as per CISPR-22 for Class B
		Not suitable for wet locations For indoor use only
	Altitude	≤ 2000 m

*as per IEC 61326-1

EM1350 revenue meters

Dimensions and connections

EM1350 Revenue Meter dimensions



Schneider Electric Industries SAS
35, Rue Joseph Monier,
CS 30323
F - 92506 Rueil Malmaison Cedex
RCS Nanterre 954 503 439
Capital social 896 313 776
www.schneider-electric.com

As standards, specifications and designs develop from time to time, please ask for confirmation of the information given in this document.



This document has been printed on recycled paper

Design: Schneider Electric
Photos: Schneider Electric

