



Whether for medium voltage distribution networks or industrial applications, if you're looking for outdoor circuit breakers from a name you can trust, look to Schneider Electric and the PCOB-36. Backed by decades of experience, and with over 100,000 circuit breakers in operation all round the world, Schneider Electric is the recognised market leader in the field of medium voltage switchgear.

Over 30 years experience in the field

First manufactured in the 1980's, Schneider's Porcelain Clad Outdoor Breaker (PCOB) quickly gained acceptance amongst network designers, public utilities and private industries worldwide. The PCOB-36 circuit breaker incorporates a minimum of moving parts, ensuring a high degree of reliability – the mechanism has undergone exhaustive mechanical, laboratory and field-endurance testing.



BENEFITS

- Simple to install and to operate
- Robust construction
- Reliable conception makes it for long time of service
- Up-to-date vacuum interrupters technology
- Maintenance reduced at the minimum

Applications

PCOB-36 is particularly suitable where a reliable power supply is needed in distribution networks such as:

- Short-circuit protection
- Transformer switching
- Cable switching
- Over head line switching
- Capacitor bank Switching
- Load transfer and auto reclosing

Reliability

The low energy requirements and unique design of the vacuum interrupters make the PCOB-36 extremely reliable in service.

Quality

Rigorous quality and service standards are maintained throughout the production process, Increased creepage and strength are provided by the high quality operating rod.

Out of phase Duty

The PCOB-36 is suitable for out-of phase duty.

Moisture resistance

Double lip sealing gaskets significantly reduce the possibility of moisture ingress.

Installation

To ensure safe transportation and facilitate installation, the PCOB-36 is despatched to customers with the mounting structure packed separately to the Circuit Breaker assembly & operating mechanism. As an option arrangement for Current Transformer / Power Transformer mounting support structure if needed.

Low maintenance

Minimal maintenance requirements and proven long service life deliver reduced lifecycle costs.

Environment

The PCOB-36 is designed to be suitable for heavily polluted environments, The PCOB-36 has been designed in order to be environment-friendly it does not contain toxic materials.

Features

The inclusion of high-performance, robust vacuum interrupters make the unit suitable for all switching duties in medium voltage electrical distribution networks. Capable of interrupting over 100 full short-circuit operations, and more than 30,000 close-open operations at normal load current, the PCOB-36 is a field-proven solution with broad international industry acceptance.

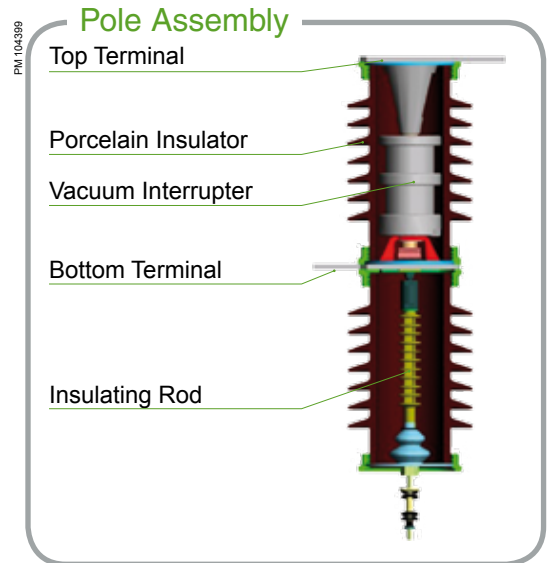
Construction

- Vacuum Interrupters are housed inside hollow porcelain insulators
- Three single-phase assemblies are mounted on a common base frame that also supports a mechanical drive linkage
- The main drive rod is actuated by the drive mechanism, rotating the bell crank which actuates the insulated drive rod assembly and closes the breaker
- Each vacuum interrupter is connected to a top terminal plate which is fixed to the porcelain insulator

Reliable operating mechanism

The robust and reliable PCOB-36 operating mechanism offers the following features:

- Motor-driven, spring charged
- Automatically charged after each closing operation
- O-C-O operation without recharging
- Mechanical / electrical anti-pumping
- Provision for manual charging
- Manual closing and tripping arrangement
- Mechanical ON-OFF, operation counter and spring-charged indication



PCOB-36

Outdoor Vacuum Circuit Breaker



Operating conditions

Ambient conditions in accordance with Standards IEC 62271-1/ IEC 62271-100

Temperature class	≤ 40°C
Minimum/Maximum ambient temperature	-10°C/ *55°C degree °C
Average value over 24 hours	35 degree °C
Average relative humidity: 24 hours / 1 month	≤ 95% / ≤ 90%
Installation altitude above sea-level	≤ **1000 m

* De rating of rated continuous current applicable at 55°C

** Please contact Schneider electric



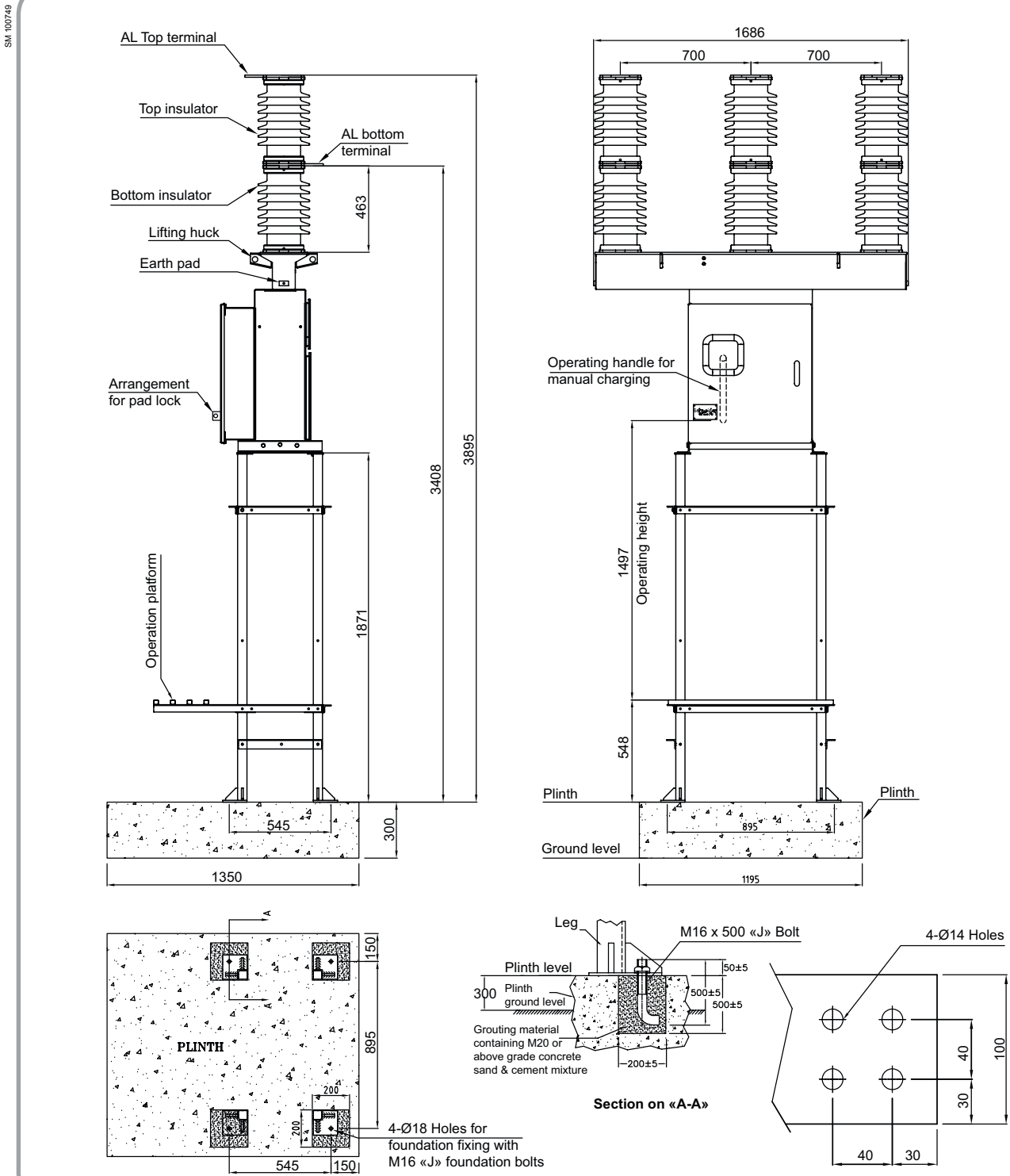
Technical characteristics

Rated Voltage	36 kV
Rated power frequency withstand voltage	70 kV
Rated lightning impulse withstand voltage	170 kV peak
Rated frequency	50 Hz
Rated short time withstand current	25 kA - 3 s
Rated peak withstand current	62 kA peak
Rated continuous current	1250 A / 2000 A
Degree of protection	IP55
Standards	IEC-62271-100/IS-13118
Operating sequence	O-0.3s-CO-3min-CO
Weight (Breaker/HDG structure)	320 Kg / 60 Kg (Aprox.)
Pole Material	Porcelain



PM 10x401

Installation



Schneider Electric Industries SAS

35, rue Joseph Monier
CS30323
F - 92505 Rueil-Malmaison cedex (France)

RCS Nanterre 954 503 439
Share capital: €896,313,776
www.schneider-electric.com

NRJED315626EN

As the standards, specifications and designs change from time to time, please ask for confirmation of the information given in this publication.



This document has been printed on ecological paper

Conception: Schneider Electric Industries SAS
Photos: Schneider Electric Industries SAS
Printing: Altavia