

# EPWR Series



## Product Description

The EPWR Series remote wet media pressure transducers allow remote pressure sensing capability using existing plumbing runs. With no need to run plumbing lines all the way to the transducer, the installation time and cost is greatly reduced. Select either armored (6 ft.) or shielded (10 or 20 ft.) cable, depending on the application.

## Available Products

Part Number	Product Description
EPWR306-LCD	6' REM WT PRS LCD 0-50 PSI
EPWR310-LCD	10' REM WT PRS LCD 0-50 PSI
EPWR320-LCD	20' REM WT PRS LCD 0-50 PSI
EPWR406-LCD	6' REM WT PRS LCD 0-100 PSI
EPWR410-LCD	10' REM WT PRS LCD 0-100 PSI
EPWR420-LCD	20' REM WT PRS LCD 0-100 PSI
EPWR506-LCD	6' REM WT PRS LCD 0-250 PSI
EPWR510-LCD	10' REM WT PRS LCD 0-250 PSI
EPWR520-LCD	20' REM WT PRS LCD 0-250 PSI

## Features

- Armor cable or conduit connector minimizes the need for field customization
- Remote probes reduce need for plumbing or bypass assemblies...lower costs and reduced labor for installation
- Pushbutton zero calibration – no trim pots to adjust..... maintain accuracy and prevent callbacks with automatic zero calibration
- Switch-selectable pressure ranges...fewer models to order and stock

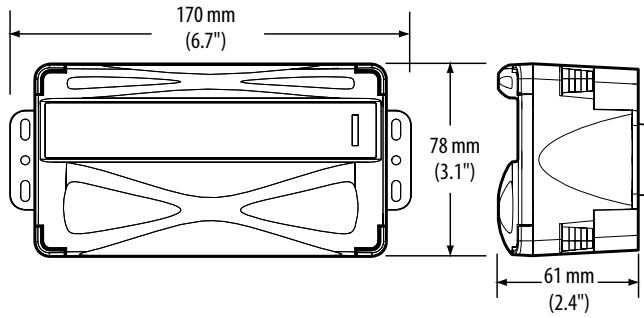
1. The CE mark indicates RoHS2 compliance. Please refer to the CE Declaration of Conformity for additional details.

## Specifications

Input Power	Class 2; 15 to 30 Vdc, 24 Vac nom. 50/60 Hz <sup>1</sup>
Max. Current Draw	DC: 125 mA; AC: 280 mA
Output	3-wire transmitter; user-selectable 4 to 20 mA/0 to 5 Vdc/0 to 10 Vdc
Status Indication	Dual color LED
Proof Pressure	2x max. F.S. range <sup>2</sup>
Burst Pressure	5x max. F.S. range <sup>2</sup>
Accuracy at 25 °C <sup>3</sup>	Ranges A and B: ±1% F.S. typical; Range C: ±1.5% F.S. typical; Range D: ±2% F.S. typical. (For less than or equal to 20 ft. (6.1 m) cable length)
Surge Damping	Electronic; 1 or 5 second averaging
Long Term Stability	±0.25%
Zero Offset (Bidirectional and Port Swap Modes Only)	0.5%
Zero Adjust	Pushbutton auto-zero and digital input (2-position terminal block)
Media Compatibility	17-4 PH stainless steel
Fittings	¼" NPT male thread; Overall thread length: 0.59" (conforms to ANSI/ASME B1.20.1 standard)
Operational Ranges	
0 to 50 psig (Gauge)	5/10/25/50 psid (Differential)
0 to 100 psig (Gauge)	10/20/50/100 psid (Differential)
0 to 250 psig (Gauge)	25/50/125/250 psid (Differential)
Operating Conditions	
Temperature Compensated Range	0 to 50 °C (32 to 122 °F); TC Zero <1.5% of product F.S. per sensor; TC Span <1.5% of product F.S. per sensor
Sensor Operating Range	-20 to 85 °C (-4 to 185 °F)
Operating Environment	-10 to 50 °C (14 to 122 °F); 10 to 90% RH non-condensing
Compliance Information	
Approvals	CE; NEMA4, IP65 at sensor

1. VFD systems and system wiring generate fields that can disrupt electrical devices Ensure that these fields are minimized and are not affecting the sensor or sensor wiring.
2. F.S. is defined as full span of selected range.
3. Accuracy combines linearity, hysteresis, and repeatability.

Dimensions mm (in.)



Wiring Diagram

