

Essentia intelligent manual call point ECE221-I

The Essentia intelligent manual call point ECE221-I with isolator has been designed to operate on a loop of intelligent fire detection devices. An alarm is initiated by pressing the resettable element. It's suitable for semi flush or surface mounting. There is a DIL switch for address setting. Address range is 1-126.



Figure 1. Essentia Intelligent manual call point ECE221-I

Table 1. Essentia intelligent manual call point

	TECHNICAL SPECIFICATIONS
Esmi product number	FFS06720318
Model number	ECE221-I
Supply voltage	17-35V DC
Protocol	5-13V peak to peak
Current consumption (max) at 24V DC	
Power-up surge current (1s typical)	1mA
Quiescent current	100µA
Alarm current (LEDs on)	4mA
Operating temperature	-40 °C to +70 °C
Humidity	0% to 95% RH (no condensation or icing)
Vibration, impact and shock	EN 54-11 & EN 54-17
IP rating	IP44
Standards and approvals	EN 54-11 & EN 54-17, CPR and LPCB
Dimensions	90mm height x 90mm width x 63mm depth
Weight	180g

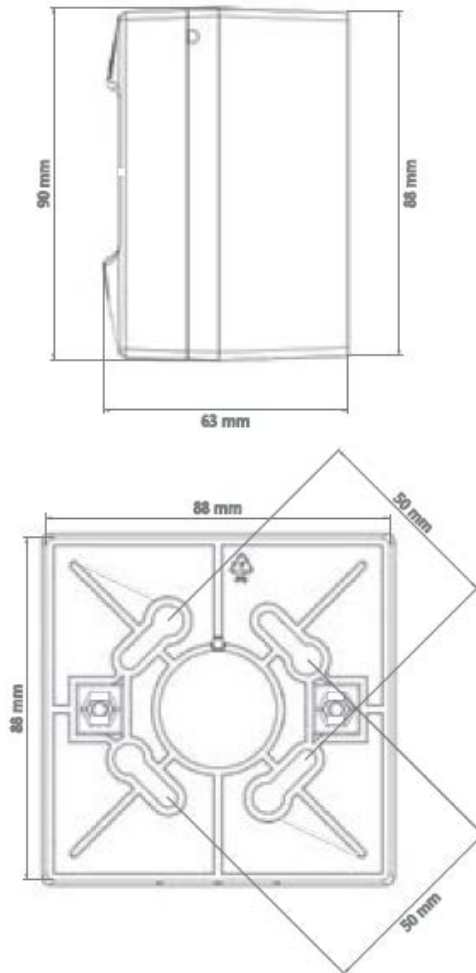


Figure 2. dimensions