

Essentia intelligent DIN-rail input/output unit EME213-I

The Essentia intelligent DIN-rail input/output unit with isolator provides supervision of normally open contacts connected to a single pair of cables. Output has a changeover relay. There is a DIL switch for address setting. Address range is 1-126.



Figure 1. Essentia intelligent DIN-rail input/output unit EME213-I

Table 1. Essentia intelligent DIN-rail input/output unit

	TECHNICAL SPECIFICATIONS
Esmi product number	FFS06720313
Model number	EME213-I
Supply voltage (Vmin-Vmax)	17-35V DC
Protocol	5-13V peak to peak
Power-up surge current	900µA
Quiescent current	500µA
Max current LEDs on	3,5mA
Max current LEDs disabled	500µA
Relay output contact rating	1A at 30V dc or ac
Operating temperature	-40 °C to +70 °C
Humidity	0% to 95% RH (no condensation or icing)
Vibration, impact and shock	EN 54-17 & EN 54-18
Standards and approvals	EN 54-17 & EN 54-18, CPR and LPCB
Dimensions	33mm height x 102mm width x 33mm depth
Weight	49g

Specifications are typical at 24V, 25°C and 50% RH unless otherwise stated.

Legend	LED Status	Description
RLY	Continuous Red	Relay Active
RLY	Continuous Yellow	Relay Fault
Poll/ISO	Flashing Green	Polling LED
Poll/ISO	Continuous Yellow	Isolator LED
I/P	Continuous Yellow	Input Fault
I/P	Continuous Red	Input Active

Figure 2. Status indications

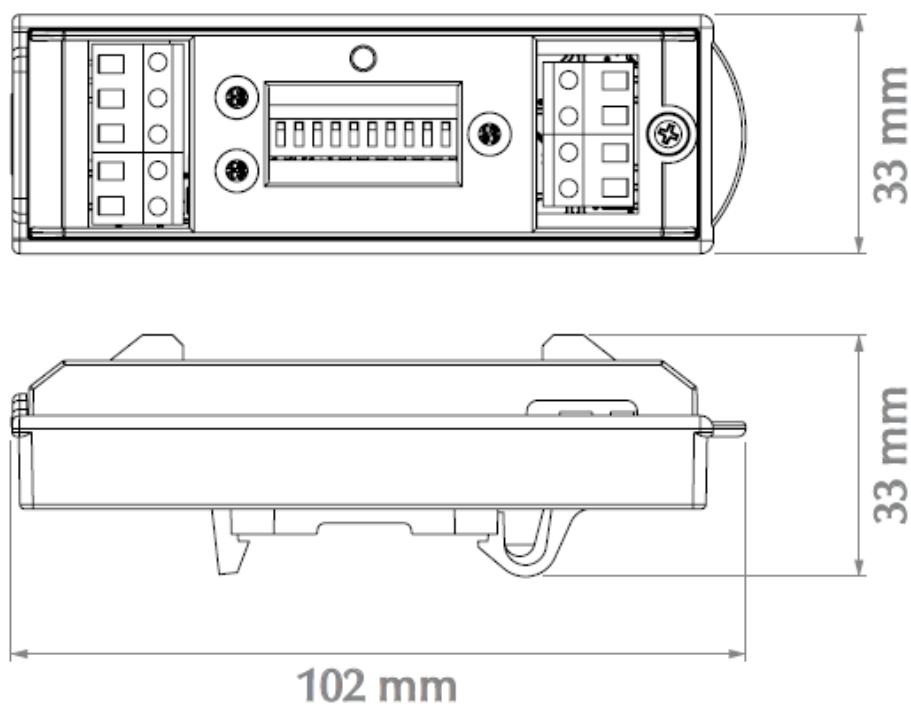


Figure 3. Dimensions

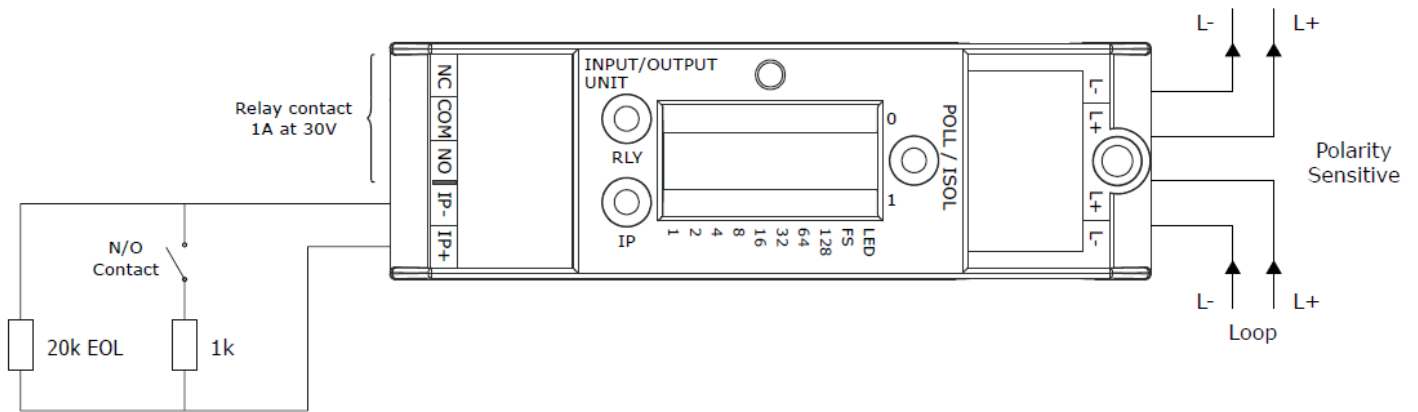


Figure 4. Essentia intelligent DIN-rail input/output unit standard resistive monitoring mode connectivity diagram