

02 Series

Electronic Flow Meter with Scaled Pulse Output



Product Description

The FLOMEC® 02 Series is a lightweight, accurate and reliable turbine meter. Choose the 02 Series for thin viscosity fluid applications.

- Aluminum or nylon housing
- Virtually maintenance free
- Display powered by two AAA batteries
- Offers one pulse per unit (gallons or liters)

Features

- Complete meter, including turbine assembly, microprocessor and LCD readout
- Remote monitor option to connect to an external system (NPN Open Collector Pulse)
- Lightweight, compact design allows for easy installation
- Display powered by two AAA alkaline batteries that are easy to replace with the meter installed
- Totalization: Batch (resettable to measure flow during a single use) and Cumulative (non-resettable, to provide continuous measurement)

Available Products

| Part Number | Manufacturer's Part Number | Description |
|-------------|----------------------------|--|
| FLO-02N31GM | 02N31GM | Nylon flow meter, digital pulse, 1-inch NPT inner, gallons, display |
| FLO-02N12LM | 02N12LM | Nylon flow meter, digital pulse, 1-inch BSPT inner, liters, display |
| FLO-02A31GM | 02A31GM | Aluminum flow meter, digital pulse, 1-inch NPT inner, gallons, display |
| FLO-02A12LM | 02A12LM | Aluminum flow meter, digital pulse, 1-inch BSPT inner, liters, display |

Specifications

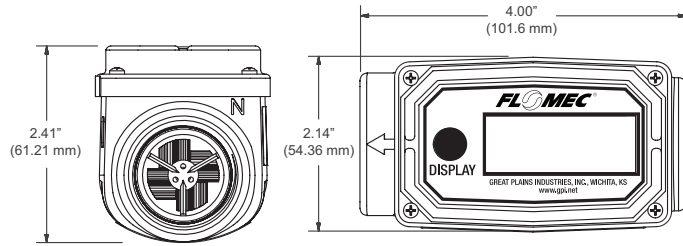
| | |
|-----------------------------|--|
| Fitting Size / Fitting Type | 1 inch / BSPT (female) 1 inch / NPT (female) |
| Flow Rate | 3 to 30 GPM 11 to 113 LPM |
| Accuracy | ± 5.0% |
| Accuracy (% of Reading) | ±20 ppm ±1% of measured value |
| Pressure Rating | 150 PSIG / 10.3 BAR |
| Operating Temperature Range | 14 to 130 °F (-10 to 55 °C) |
| Pulse Out Description | Open Collector (also known as NPN or Current Sinking) |
| Pulse Duration | 250 msec |
| Pulse Amplitude | 5 to 30 Vdc |
| Scaling | One pulse per gallon or liter |
| Cable Length | 5 ft. (1.5 m) |
| Wetted Materials (Aluminum) | Housing: Aluminum Bearings: Ceramic Shaft: Tungsten carbide Rotor: Nylon Rings: 316 stainless steel Signal generator: Ferrite |
| Wetted Materials (Nylon) | Housing: Nylon Bearings: Ceramic Shaft: Tungsten carbide Rotor: Nylon Rings: 316 stainless steel Signal generator: Ferrite |
| Limited Warranty | 2 years |
| Agency Approvals | CE |

USA: +1 888-444-1311
Europe: +46 10 478 2000
Asia: +65 6484 7877
www.schneider-electric.com

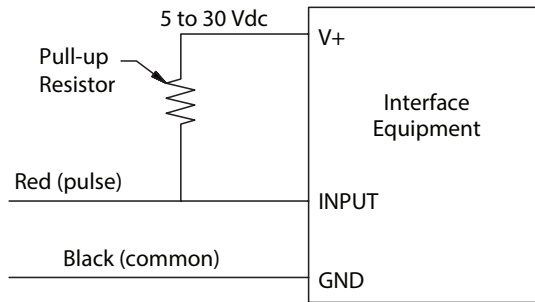
Life Is On

Schneider
Electric

Dimensions (in.)



Internal Pull-up Resistor



Note: Some interface devices may not have an internal pull-up resistor. Use a minimum 820 Ω resistor if necessary.