

OUTLINE FOR ASCO® 300 SERIES TRANSFER SWITCHES (E3ATS/E3NTS) 260 & 400 AMPERES, OPEN TYPE

GENERAL NOTES

1. THE STANDARD SWITCH CONFIGURATION IS FOR TOP (LOAD & EMERGENCY) AND BOTTOM (NORMAL).
2. NEUTRAL CONFIGURATIONS:
AN OPTIONAL FULL RATED NEUTRAL CONFIGURATION FOR EACH SOURCE AND THE LOAD MAY BE PROVIDED. WHEN EQUIPPED IT IS IN ONE OF THE FOLLOWING FORMATS AS SPECIFIED BY THE CATALOG NUMBER NO. NEUTRAL TYPE:
(A) SOLID (COPPER BUS) NEUTRAL
(B) SWITCHED NEUTRAL POLE
(C) OVERLAPPING NEUTRAL POLE
3. THE STANDARD MECHANICAL (SCREW TYPE) AL/CU TERMINAL LUGS ARE SHOWN FOR REFERENCE.
4. SWITCH OVERLAPPING NEUTRAL POLE IS SHOWN FOR REFERENCE
5. WHEN INSTALLING CONDUCTORS, CONNECT TO SIMILARLY MARKED PHASES OF NORMAL, EMERGENCY & LOAD.
6. ALL INTERNAL CONNECTIONS ARE MADE AT FACTORY.
7. MAINTAIN ELECTRICAL CLEARANCE OF 1 INCH (25.4 mm) BETWEEN LIVE METAL PARTS AND GROUNDED METAL.
8. WHEN MOUNTING THE TRANSFER SWITCH IN THE ENCLOSURE, THE CONTROL PANEL(S) AND OPERATOR CONTROLS SHOULD BE MOUNTED ON THE INSIDE, REAR SURFACE OF THE DOOR. 6 IN. MIN. DEPTH TO TRANSFER SWITCH FOR CONTROLS IS REQUIRED.
9. THE CONTROL PANEL(S) IS CONNECTED TO THE TRANSFER SWITCH BY A HARNESS WITH A QUICK DISCONNECT PLUG(S). THE HARNESS EXITS THE TRANSFER SWITCH ON THE RIGHT SIDE. CONSULT FACTORY FOR EXTENSION HARNESSES.
10. FOR TYPE 1 ENCLOSURE SEE DETAIL A -1 AND DETAIL B -1 FOR CUTOUT DATA. FOR TYPE 3R, 4, & 12 ENCLOSURE SEE DETAIL A -2 & DETAIL B -2 FOR CUTOUT DATA. GASKETS AND BEZELS ARE PROVIDED FOR TYPE 3R, 4, & 12 ENCLOSURE.

SIZE	CABLE ACCOMMODATIONS (PER PHASE & NEUTRAL)
260-400	SCREW TYPE (STANDARD)- (2) 1/0 - 250 MCM AL/CU OR (1) #4 - 600 MCM AL/CU

CABLING NOTES

1. ALL SIZES SUPPLIED STANDARD WITH MECHANICAL (SCREW TYPE) LUGS. (SEE AMP SIZE BELOW)
A. LUG MATERIAL: ALUMINUM ALLOY 6061-T6 WITH ELECTRO TIN PLATED FINISH.
B. SCREW MATERIAL: ALUMINUM ALLOY 6262-T9 WITH ELECTRO TIN PLATED FINISH.
C. UL LISTED, CSA CERTIFIED.
D. LUG SCREW TIGHTENING TORQUE PER UL 486B: 19 FT-LBS.

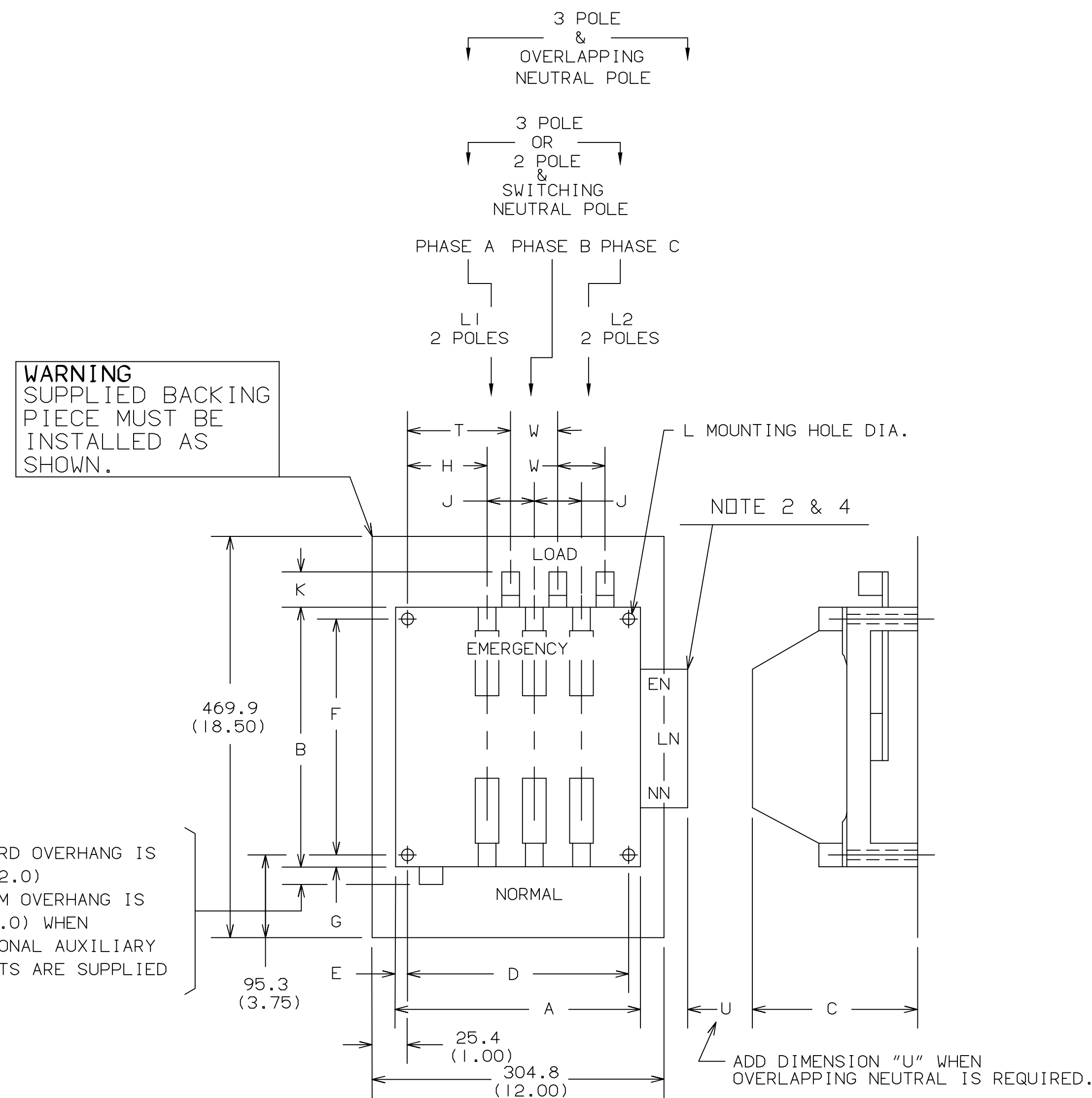
NOTES 260-400 AMP SWITCHES

1. SUPPLIED WITH STANDARD MECHANICAL (SCREW TYPE) LUGS ON THE NORMAL, EMERGENCY & LOAD BUS STABS. ONE (1) LUG PER PHASE AND NEUTRAL EACH SUITABLE FOR CONNECTION OF TWO (2) 1/0 -250MCM CU/AL CABLES OR ONE (1) #4 -600MCM CU/AL CABLE.

MINIMUM REQUIRED ENCLOSURE SIZE IN(mm)

SWITCH RATING (AMPS)	HEIGHT	WIDTH	DEPTH
260-400 AMPS	48.00 (1219,2)	18.00 (457,2)	13.00 (330,2)

SUGGESTED BOLT SIZE FOR MOUNTING A.T.S.:
1/4-20 X 3 INCH LONG MINIMUM QUANTITY (4)



STANDARD OVERHANG IS 50.8 (2.0)
MAXIMUM OVERHANG IS 127 (5.0) WHEN ADDITIONAL AUXILIARY CONTACTS ARE SUPPLIED

2 AND 3 POLE WITH AND WITHOUT OVERLAPPING NEUTRAL IN(mm)

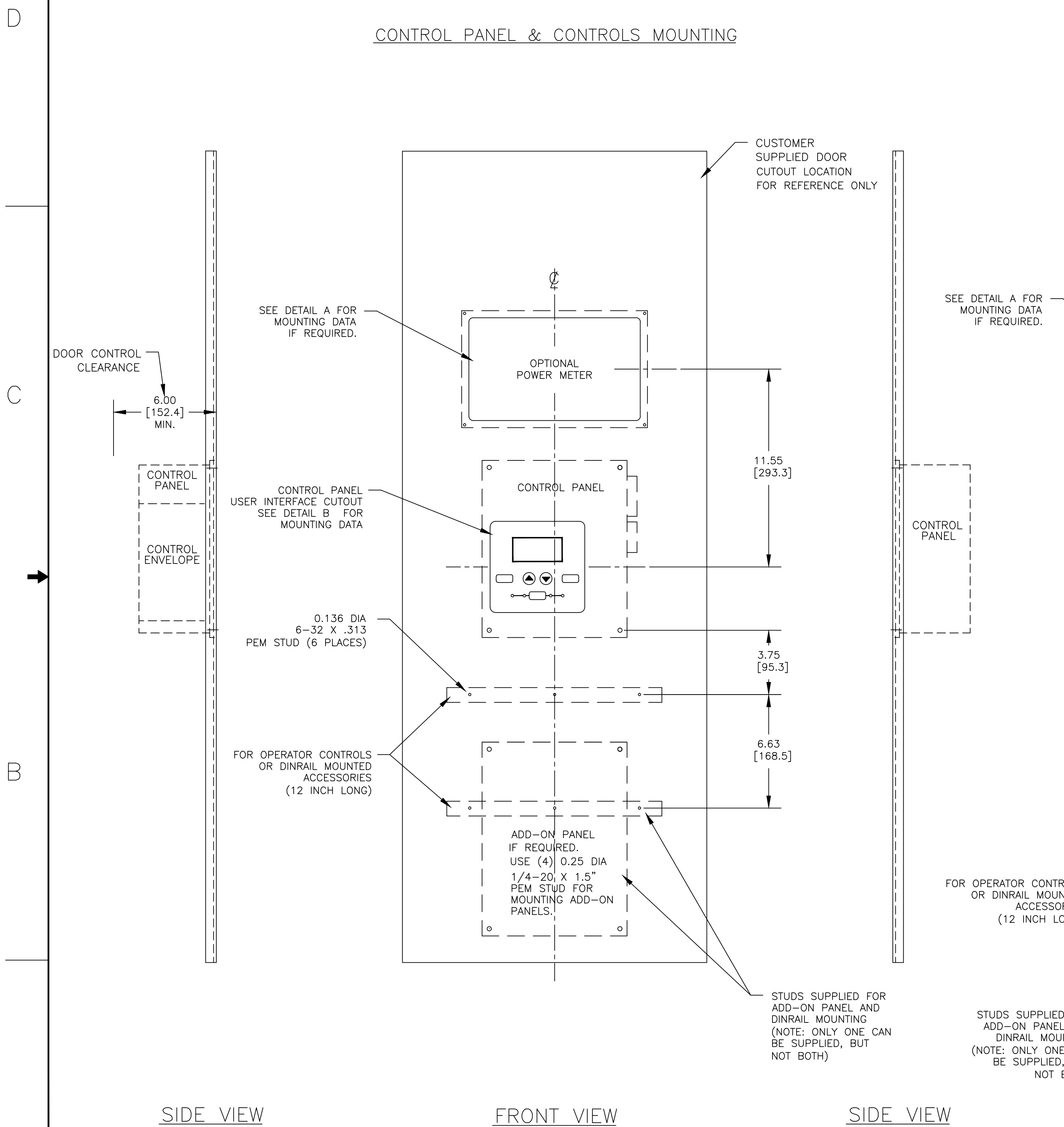
DIMENSIONS													
A	B	C	D	E	F	G	H	J	K	L	T	U	W
11.00 (279.4)	12.00 (304.8)	6.87 (174.5)	10.00 (254.0)	0.50 (12.7)	11.00 (279.4)	0.50 (12.7)	3.87 (98.3)	2.12 (53.8)	2.12 (53.8)	0.31 (7.9)	4.93 (125.2)	3.00 (76.2)	2.12 (53.8)

246066	BWM	BK	12/31/13
--------	-----	----	----------

PROJECT NAME:		REV. TO SHEET	ECN NO.	BY	APP.	DATE
COMPOSITE OUTLINE						
300 SERIES, E3ATS/E3NTS RATED 260 & 400 AMPERES						
OPEN TYPE						
BY	DATE	MANUFACTURING TOLERANCES TO BE IN ACCORDANCE WITH ASCO PROCEDURE MP-1-003. FOR PLASTIC PARTS SEE MP-1-005		ASSEM. REF. NO.	COMPUTER GENERATED DRAWING	
CHECKED		PROPERTY OF ASCO POWER TECHNOLOGIES. USE PERMITTED FOR OUR WORK ONLY. ALL RIGHTS OF DESIGN OR INVENTION ARE RESERVED.			SCALE 1/8" = 1" SIZE DS	
PROJECT APPROVAL		ASCO® ASCO POWER TECHNOLOGIES, L.P. FLORHAM PARK, NEW JERSEY 07932 U.S.A.			DWG. NO. 978732-002	
FINAL APPROVAL	BK	12/31/13			DRAWING REV. ECN NO. 246066	SHEET 1 OF 2

OUTLINE FOR ASCO® 300 SERIES TRANSFER SWITCHES (E3ATS,E3NTS) 260 & 400 AMPERES OPEN TYPE

CONTROL PANEL & CONTROLS MOUNTING

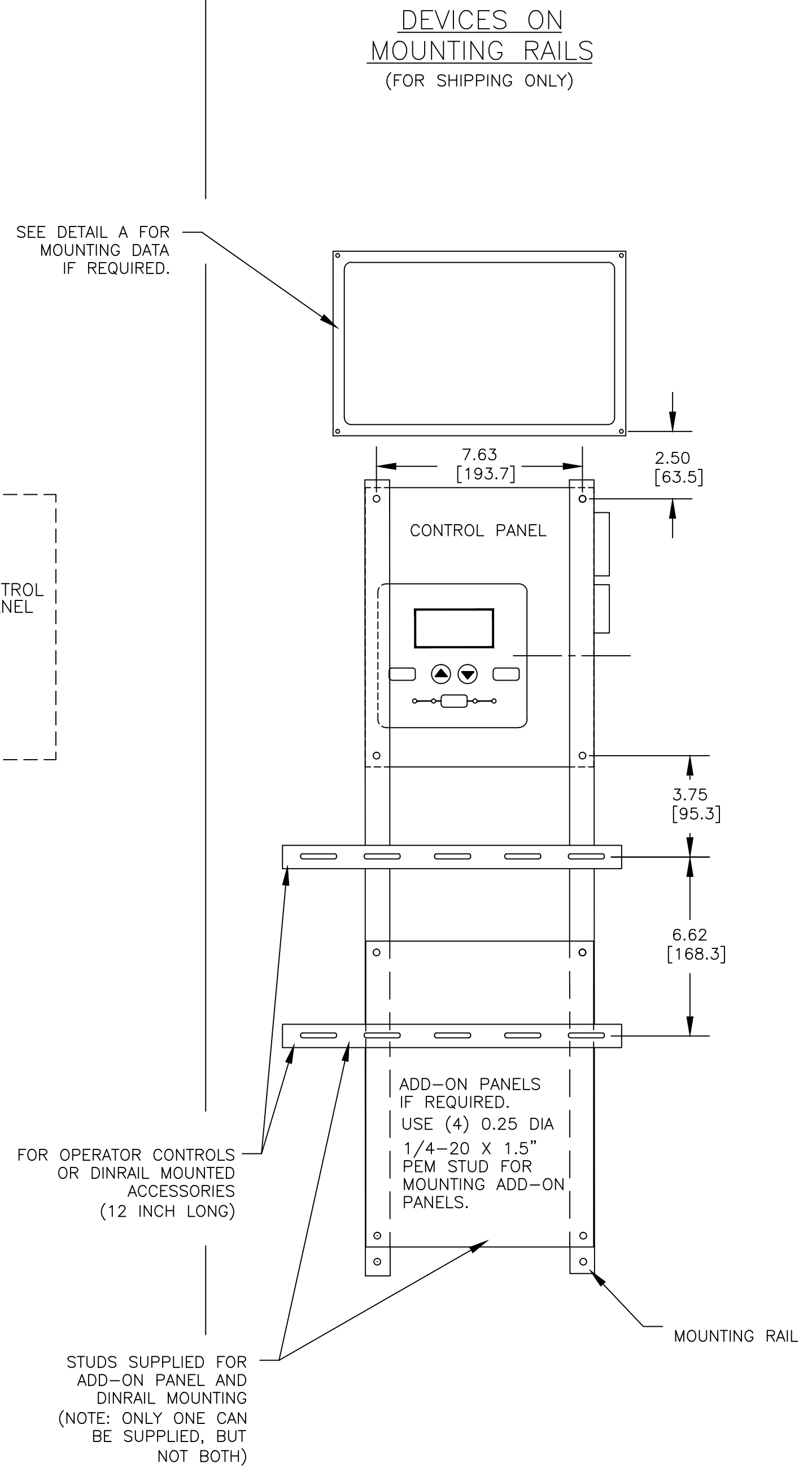


SIDE VIEW

FRONT VIEW

SIDE VIEW

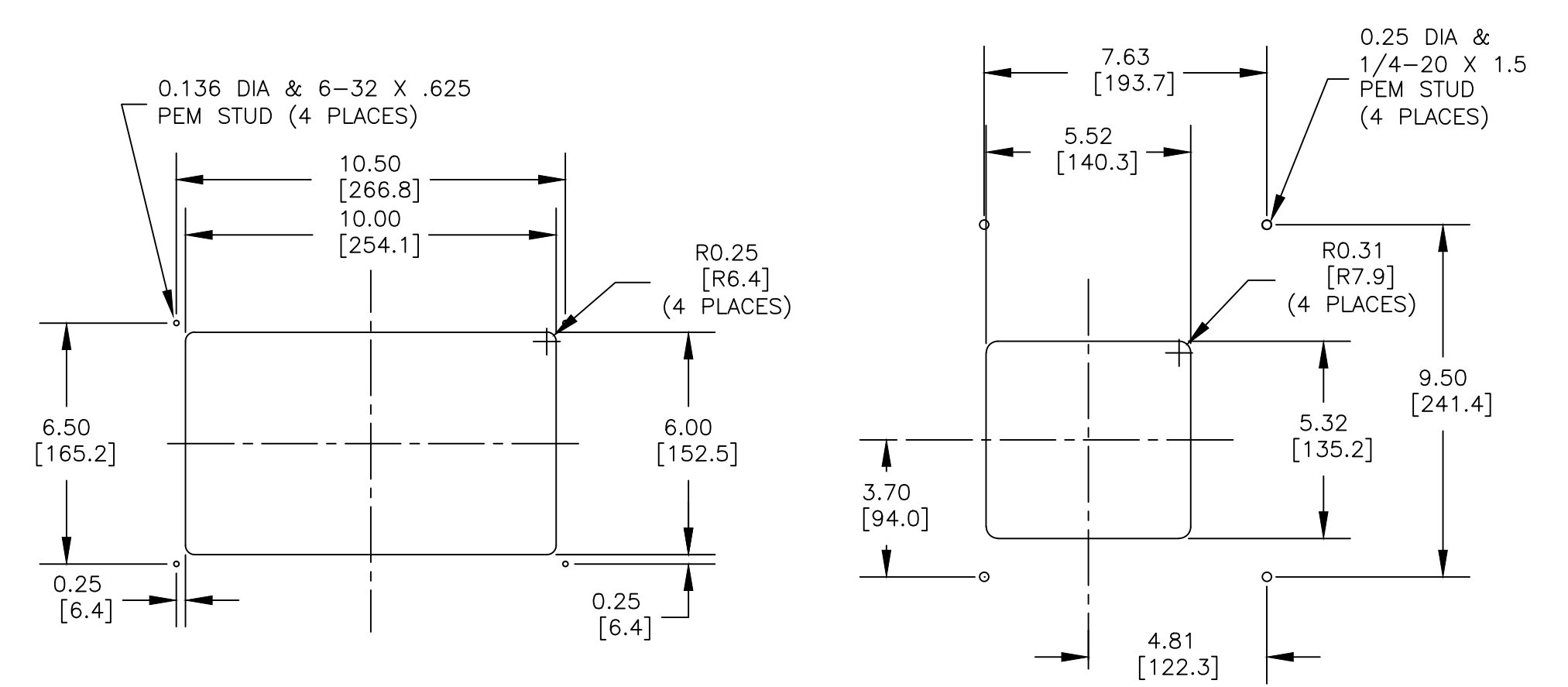
DEVICES ON MOUNTING RAILS (FOR SHIPPING ONLY)



FOR OPERATOR CONTROLS OR DINRAIL MOUNTED ACCESSORIES (12 INCH LONG)

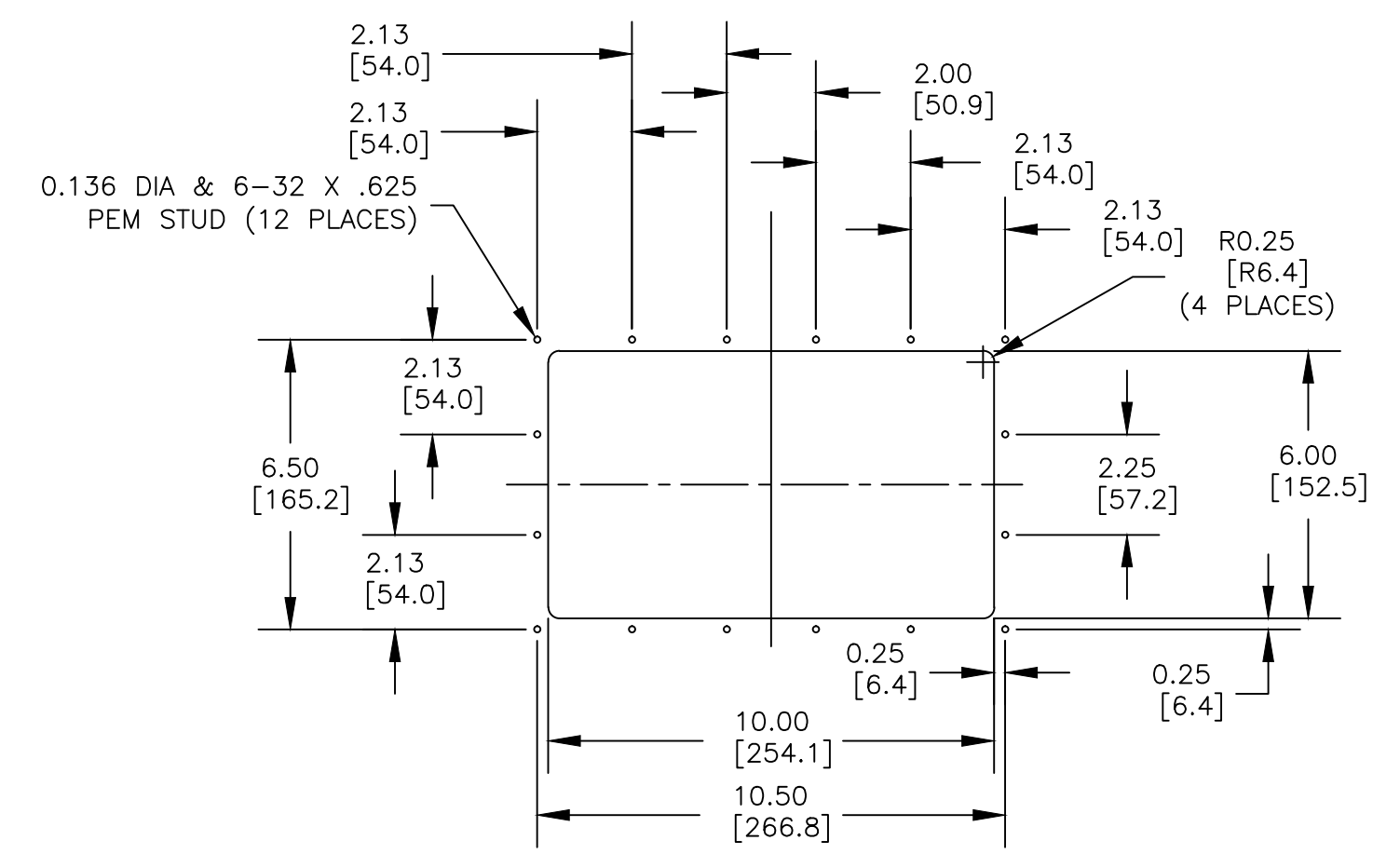
STUDS SUPPLIED FOR ADD-ON PANEL AND DINRAIL MOUNTING (NOTE: ONLY ONE CAN BE SUPPLIED, BUT NOT BOTH)

CONTROL PANEL & CONTROLS MOUNTING DATA



DETAIL A -1 (FOR TYPE 1)

DETAIL B -1 (FOR TYPE 1)



DETAIL A -2 (FOR TYPE 3R, 12 & 4)

DETAIL B -2 (FOR TYPE 3R, 12 & 4)

PROJECT NAME:		246066 [BWM] BK 12/31/13	
REV. TO SHEET	ISSUED	BY	APP.
COMPOSITE OUTLINE			
300 SERIES, E3ATS/E3NTS RATED 260 & 400 AMPERES			
OPEN TYPE			
BY	DATE	MANUFACTURING TOLERANCES TO BE IN ACCORDANCE WITH ASCO PROCEDURE MP-1-003. FOR PLASTIC PARTS SEE MP-1-035	ASSEM. REF. NO.
BY	DATE	PROPERTY OF ASCO POWER TECHNOLOGIES. USE PERMITTED FOR OUR WORK ONLY. ALL RIGHTS OF DESIGN OR INVENTION ARE RESERVED.	SCALE
CHECKED			SIZE DS
PROJECT APPROVAL			DWG. NO.
FINAL APPROVAL			978732-002
			DRIVING REV. ECN NO. 246066 SHEET 2 OF 2

