

"TOP VIEW"

GENERAL NOTES

- FLOOR MOUNTED ENCLOSURE.  
TYPE 3R CONSTRUCTED FROM CODE GAUGE STEEL.  
FINISH: TYPE 3R, ANSI 61 GRAY POLYESTER SEMI GLOSS ELECTROSTATIC POWDER.  
TYPE 3RX EXTERIOR CONSTRUCTED FROM CODE GAUGE STAINLESS STEEL.  
(R) EXTERIOR CONSTRUCTED FROM TYPE 304 STAINLESS STEEL.  
(S) EXTERIOR CONSTRUCTED FROM TYPE 316 STAINLESS STEEL.
- EXTERIOR DOORS HAVE PADLOCKABLE HANDLES WITH 3-POINT LATCH.
- DESIGNED FOR FRONT ACCESS
- RECOMMENDED CLEARANCES: FRONT: 38" REAR: NONE.
- EXTERIOR VENTS ARE SUPPLIED FOR 2000A WITH POLYESTER DUST FILTERS.
- CENTER OF GRAVITY
- APPROXIMATE WEIGHT: 1630 LBS.
- LIFTING PLATES: SECTIONS ARE SUPPLIED WITH LIFTING PLATES. INSPECT PLATES FOR DAMAGE AND TORQUE BOLTS TO 45 FT LBS BEFORE USE. REFER TO ANSI/NEMA PB 2.1 FOR PROPER HANDLING OF EQUIPMENT. AFTER INSTALLATION OF SECTION, REMOVE LIFTING PLATES. REINSTALL BOLTS INTO EXTERIOR HOLES AND TORQUE TO APPROXIMATELY 20 FT LBS.

TRANSFER SWITCH

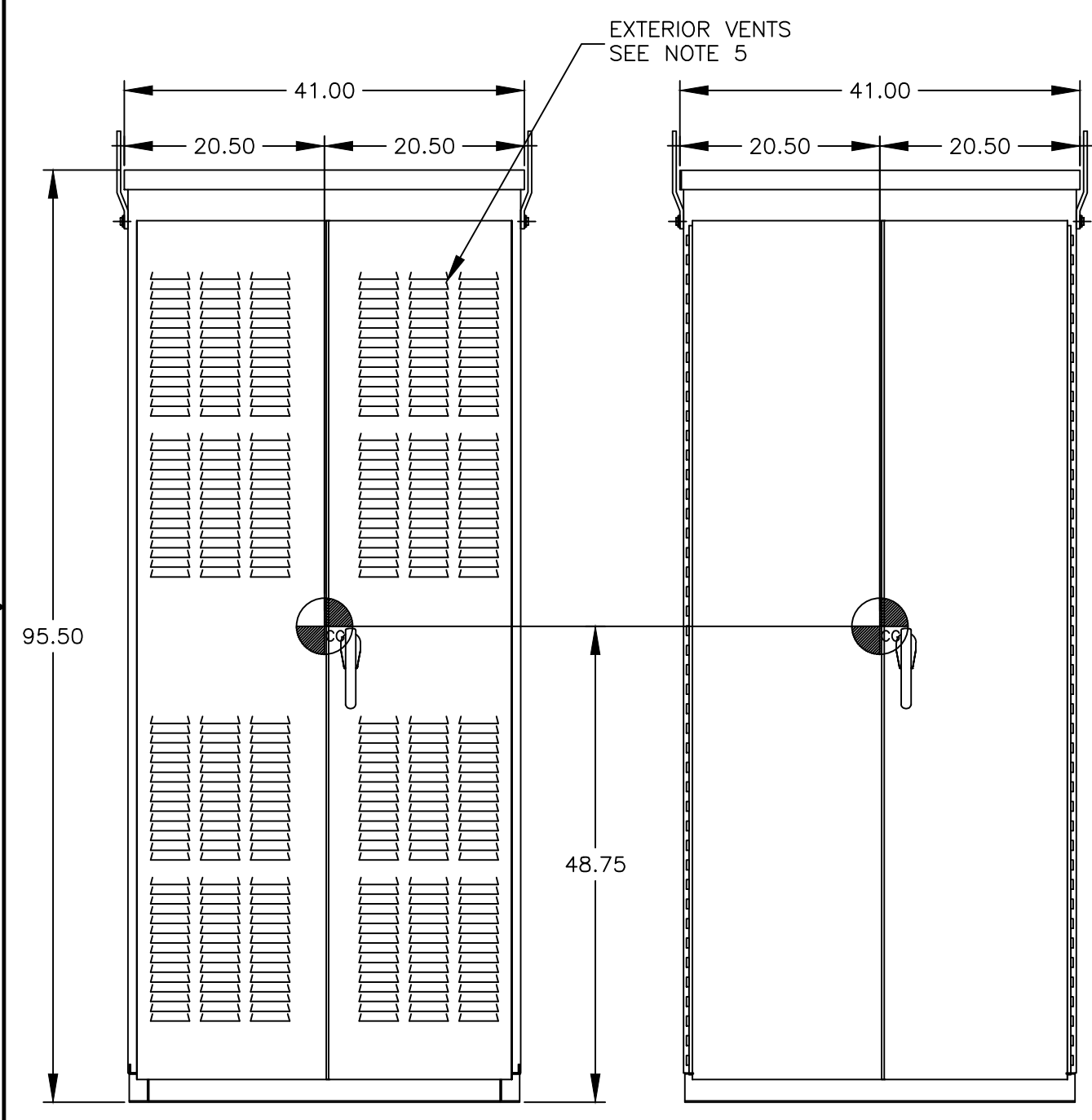
- G FRAME TRANSFER SWITCH 1000A - 2000A.
- TRANSFER SWITCH RATING: 1000 AMPS, 1200 AMPS, 1600 AMPS, 2000 AMPS.  
SHORT CIRCUIT RATING WHEN PROTECTED BY A CIRCUIT BREAKER FOR 1000-2000A, TIME RESPONSE, MAXIMUM 0.05 SECONDS: 85,000 RMS SYM @ 480V.  
THE SOURCES MUST BE PROTECTED BY A REMOTE OVERCURRENT PROTECTION DEVICE AS LISTED ON THE MARKINGS ON THE TRANSFER SWITCH.
- A FULL RATED NEUTRAL CONNECTION FOR EACH SOURCE AND THE LOAD IS OPTIONAL. WHEN PROVIDED IT IS IN ONE OF THE FOLLOWING FORMATS.  
A. SOLID NEUTRAL  
B. SWITCHED NEUTRAL POLE
- UL 1008

TERMINATIONS 1000-1200 AMPS

- SUPPLIED WITH MECHANICAL (SCREW TYPE) LUGS SUITABLE FOR CU/AL CABLE .  
SOURCE 1: (4) 1/0 AWG-600MCM PER PHASE AND NEUTRAL.  
LOAD: (4) 1/0 AWG-600MCM PER PHASE AND NEUTRAL.  
SOURCE 2: (4) 1/0 AWG-600MCM PER PHASE AND NEUTRAL.  
GROUND: (12) 1/0 AWG - 750 MCM  
SUITABLE WIRE BENDING SPACE IS PROVIDED AS PER THE NEC
- OPTIONAL LUGS MAY BE SUPPLIED.

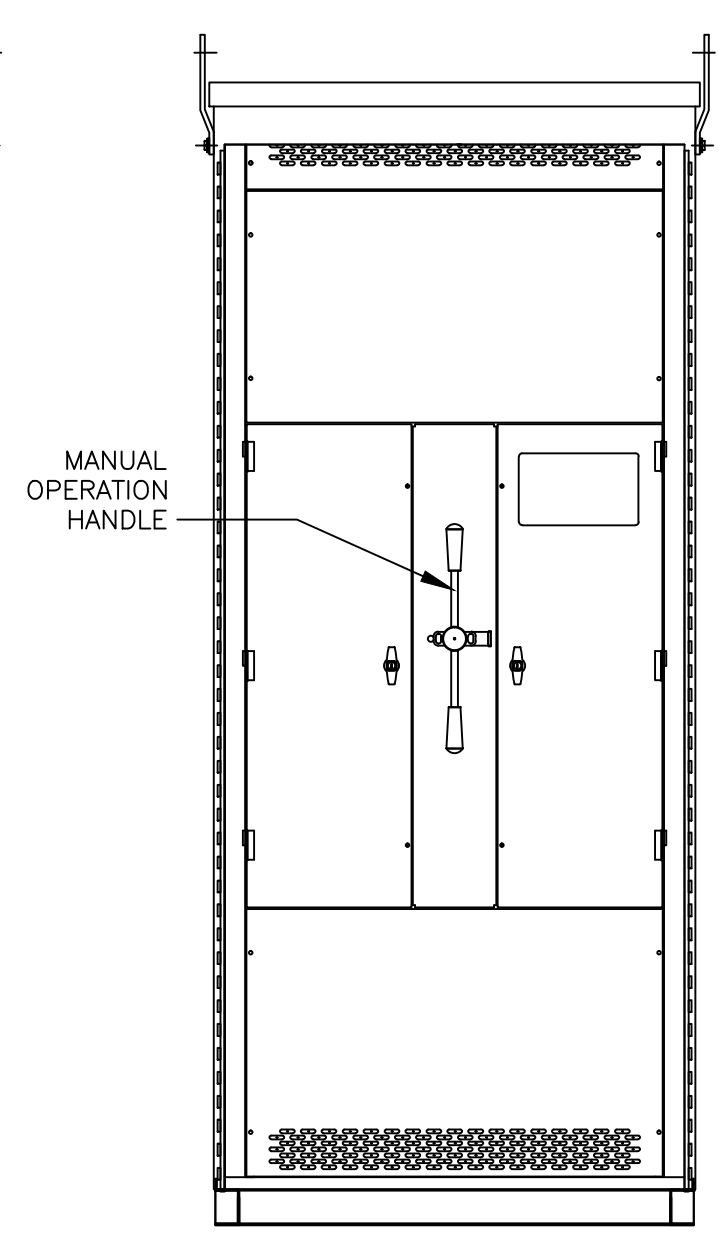
TERMINATIONS 1600-2000 AMPS

- SUPPLIED WITH MECHANICAL (SCREW TYPE) LUGS SUITABLE FOR CU/AL CABLE .  
SOURCE 1: (6) 1/0 AWG-600MCM PER PHASE AND NEUTRAL.  
LOAD: (6) 1/0 AWG-600MCM PER PHASE AND NEUTRAL.  
SOURCE 2: (6) 1/0 AWG-600MCM PER PHASE AND NEUTRAL.  
GROUND: (18) 1/0 AWG - 750 MCM  
SUITABLE WIRE BENDING SPACE IS PROVIDED AS PER THE NEC
- OPTIONAL LUGS MAY BE SUPPLIED.

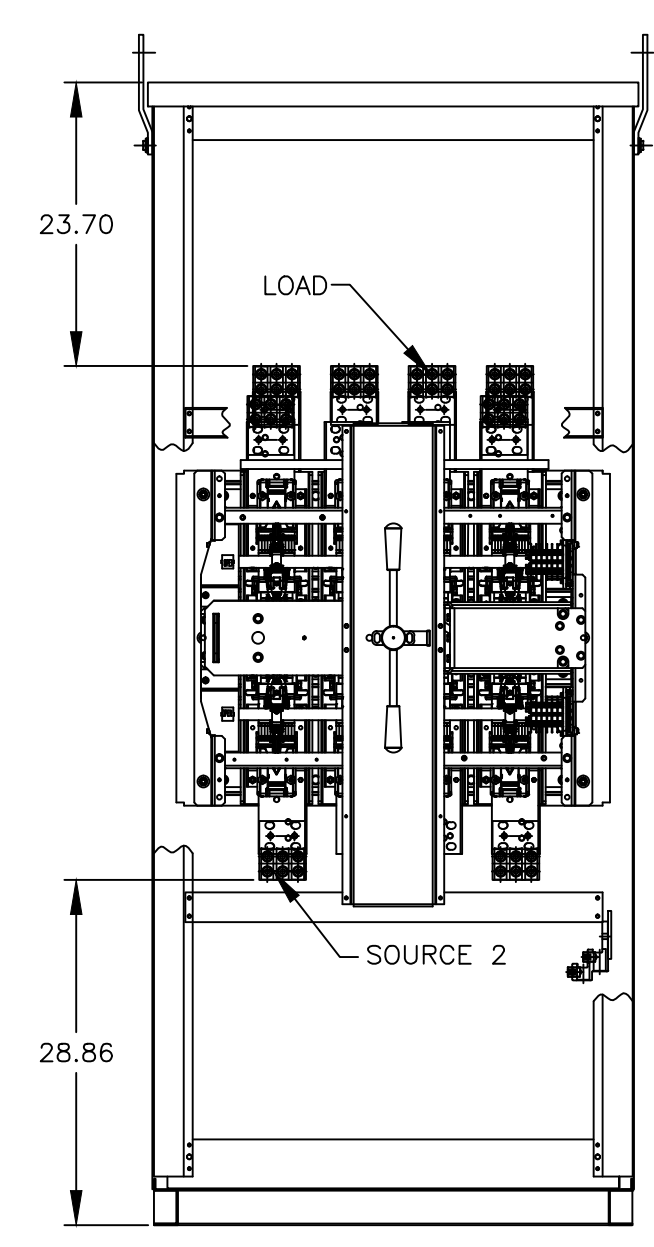


"FRONT VIEW"  
"2000A"

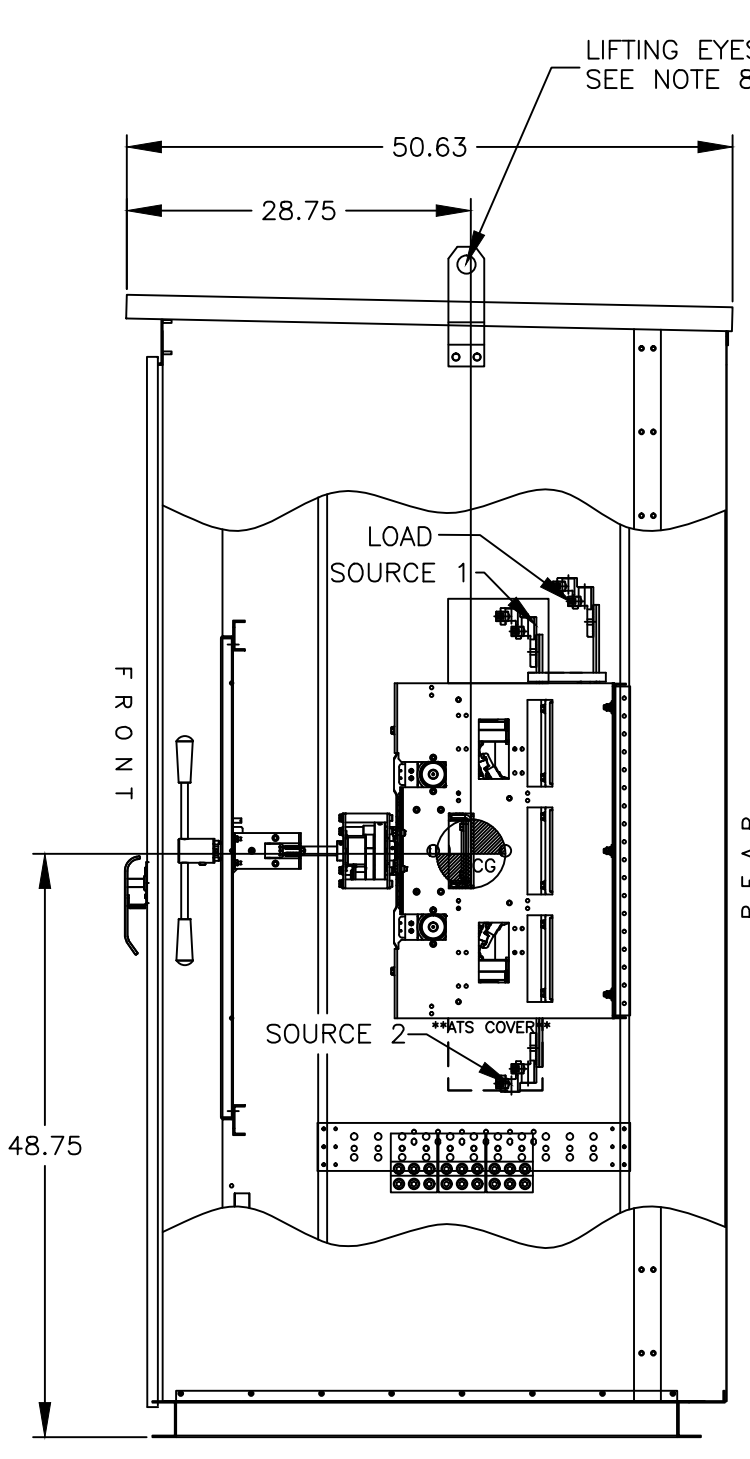
"FRONT VIEW"  
"1000-1600A"



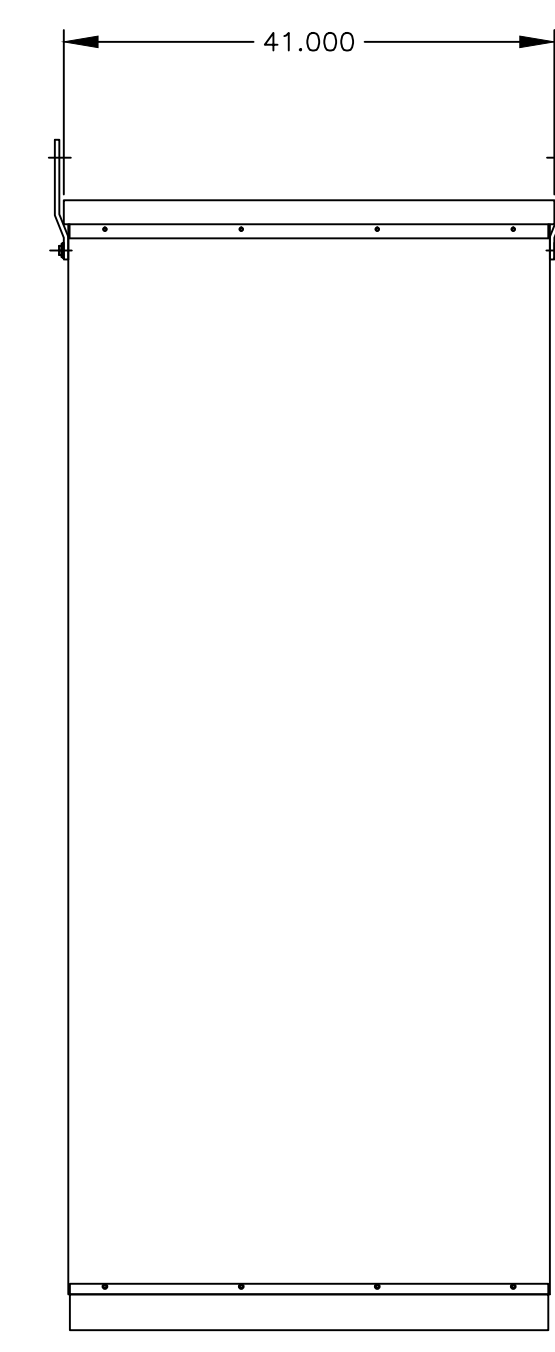
"FRONT VIEW WITHOUT"  
"EXTERIOR DOORS"



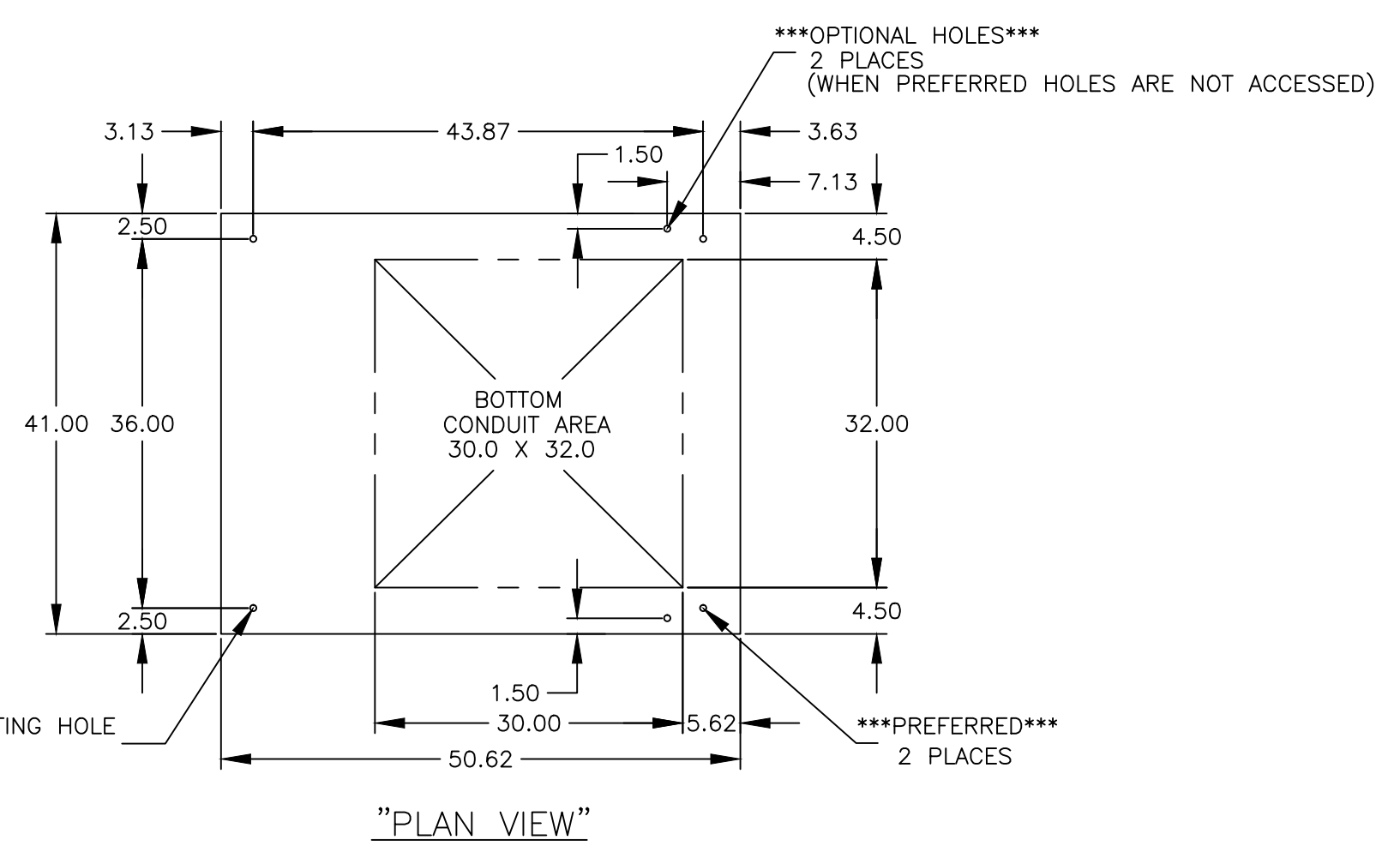
"FRONT INTERIOR VIEW"



"RIGHT SIDE VIEW"



"REAR VIEW"



"PLAN VIEW"

PROJECT NAME:		272287	SG	RN	05/04/18
REV. TO SHEET	ECN NO.	BY	APP.	DATE	
OUTLINE		MOUNTING			
GMTS 1000A - 2000A, FRONT CONNECT					
TYPE 3R/3RX 96 X 41 X 51					
DRAWN BY	BY	DATE	MANUFACTURING TOLERANCES TO BE IN ACCORDANCE WITH ASCO PROCEDURE MP-1-003. FOR PLASTIC PARTS SEE MP-1-005.		
CHECKED	RN	05/02/18	ASSEM. REF. NO.	SCALE 1/16" = 1" SIZE DS	
PROJECT APPROVAL	PROPERTY OF ASCO POWER TECHNOLOGIES. USE PERMITTED FOR OUR WORK ONLY. ALL RIGHTS OF DESIGN OR INVENTION ARE RESERVED.			COMPUTER GENERATED DRAWING	
FINAL APPROVAL	ASCO® ASCO POWER TECHNOLOGIES, L.P. FLORHAM PARK, NEW JERSEY 07932 U.S.A.			DWG. NO. 977105-002	
DRAWING REV. —			ECN NO. 272287	SHEET 1 OF 1	