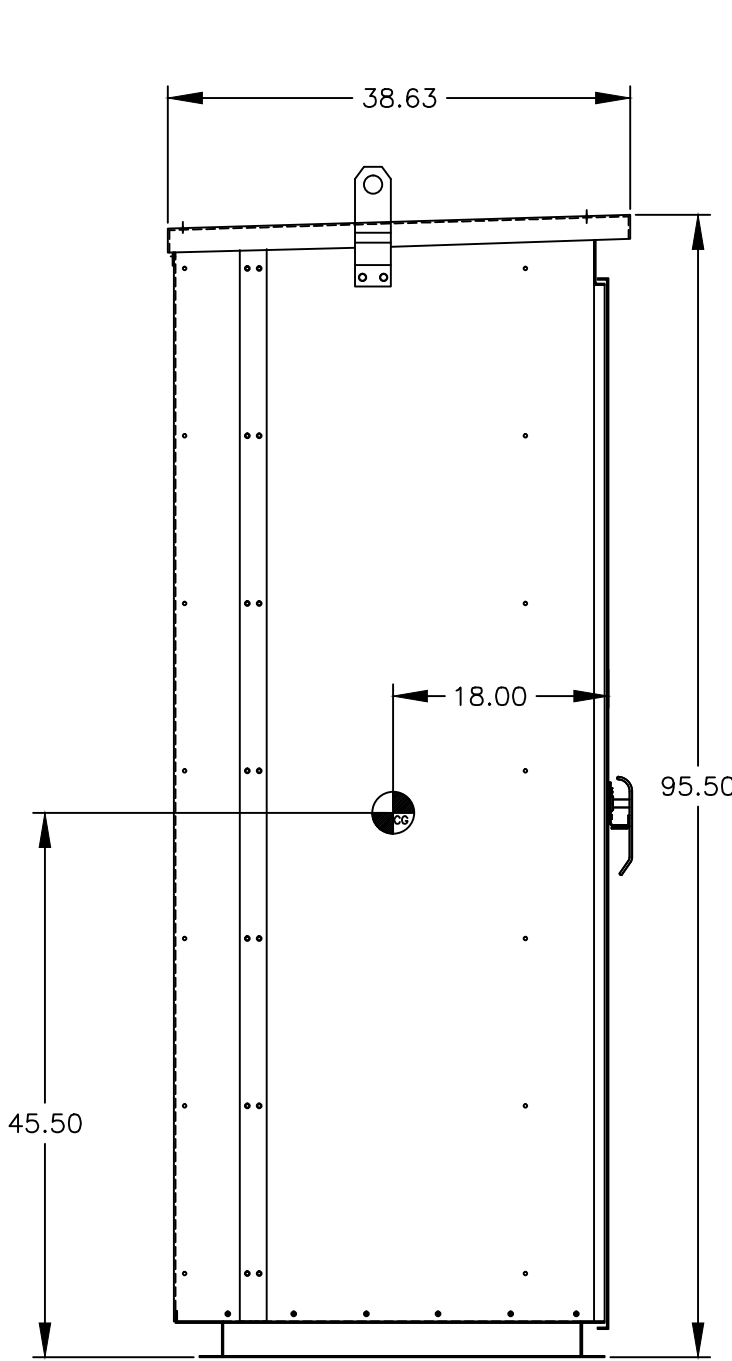
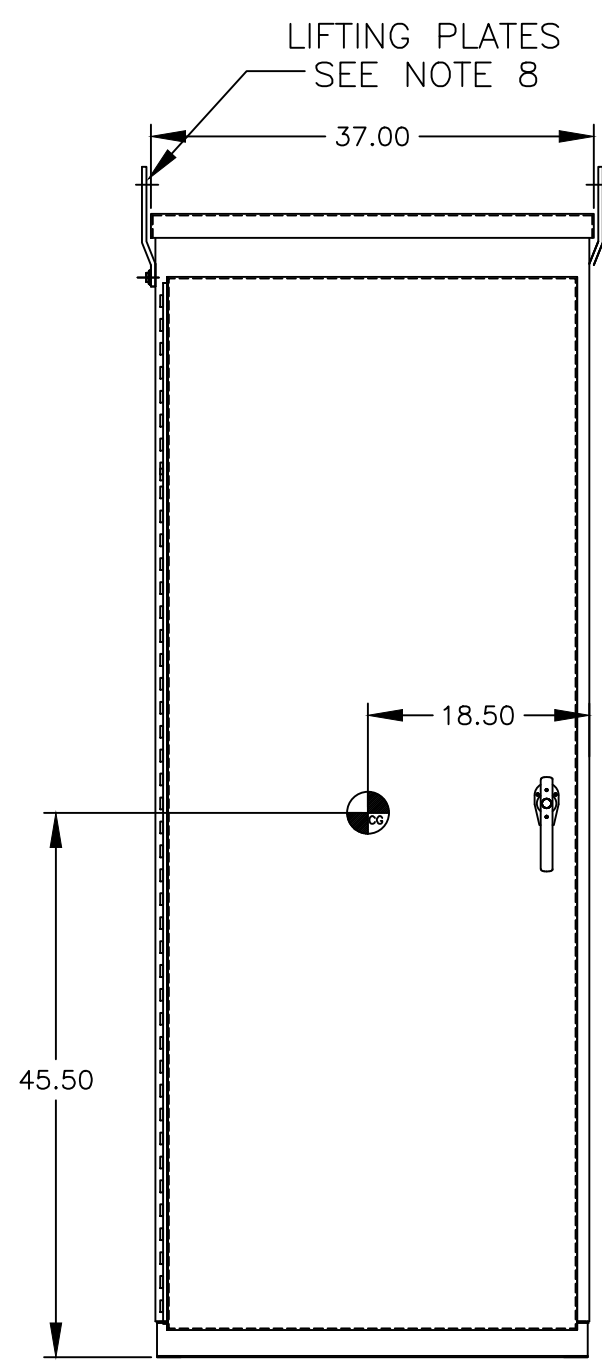


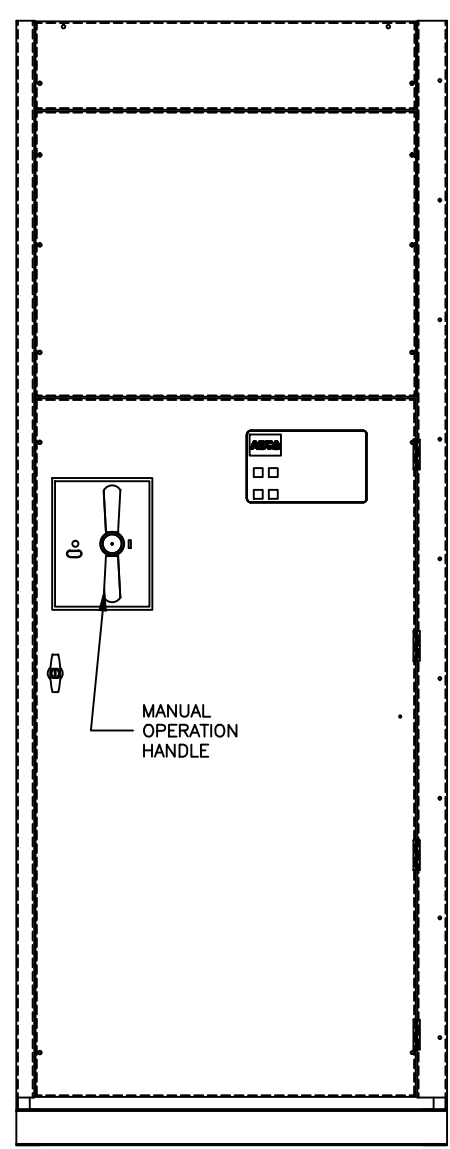
TOP VIEW



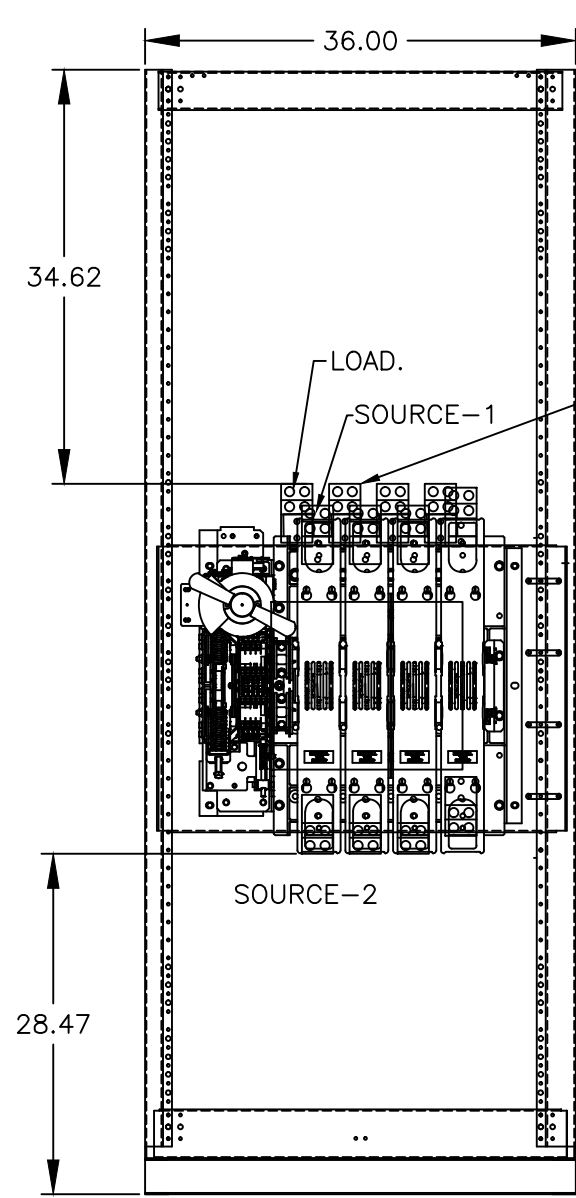
LEFT SIDE VIEW



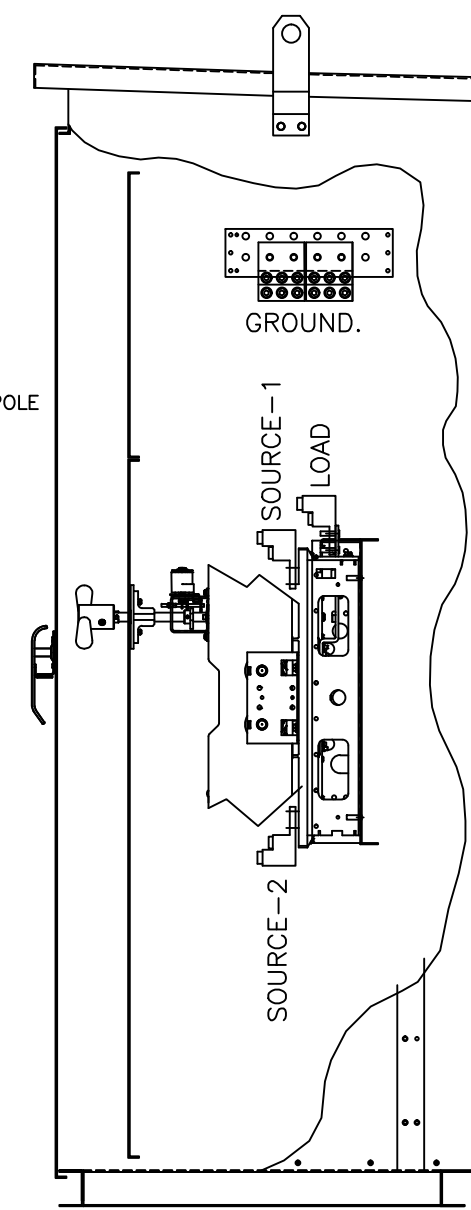
FRONT VIEW



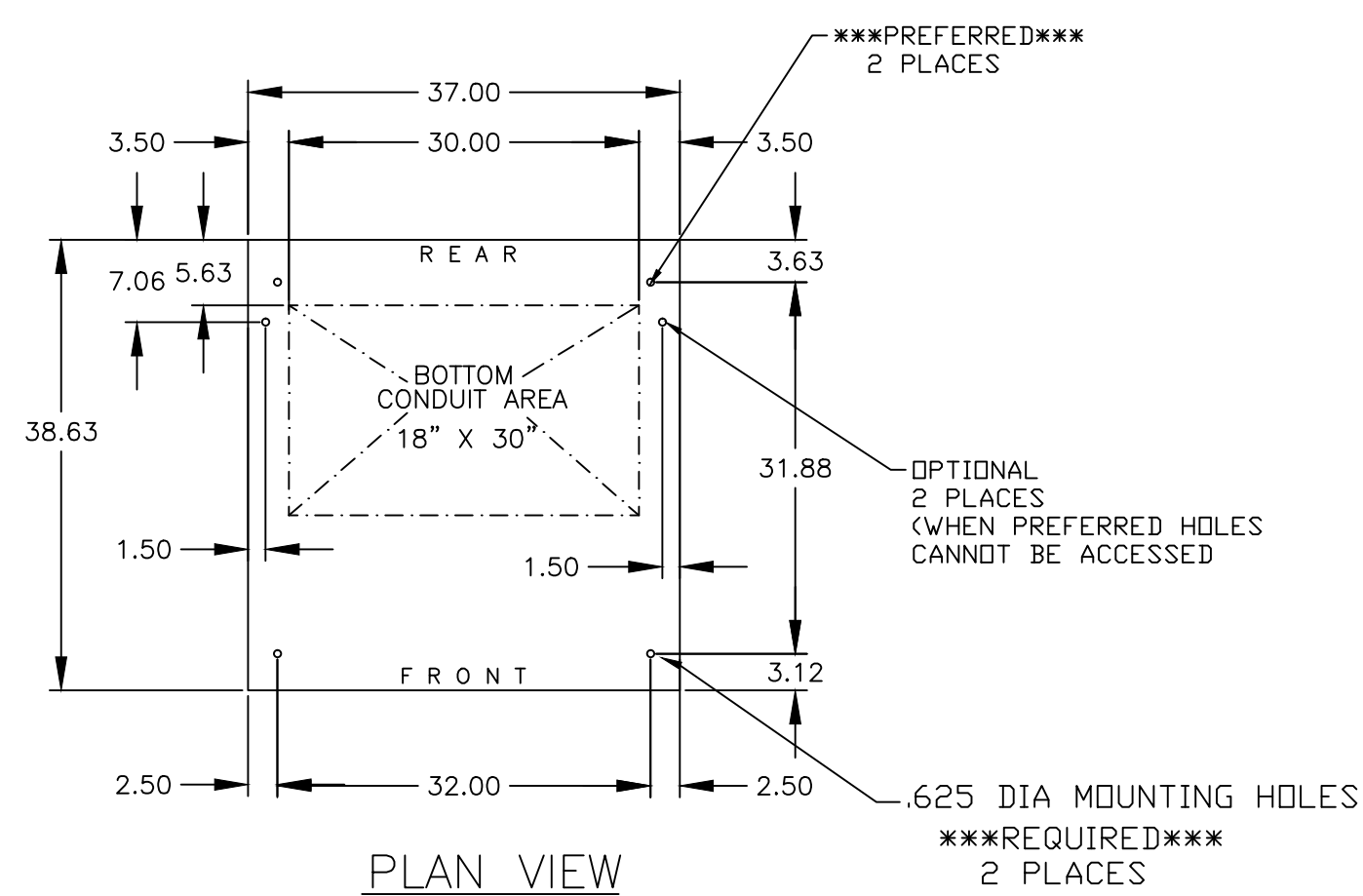
FRONT VIEW WITHOUT EXTERIOR DOOR



FRONT VIEW WITHOUT COVERS



RIGHT SIDE VIEW



PLAN VIEW

### GENERAL NOTES

- TYPE 3R ENCLOSURE. FREE STANDING. FLOOR MOUNTED. CODE GAUGE STEEL.
- EXTERIOR DOORS HAVE PADLOCKABLE HANDLE WITH 3 POINT LATCH.
- FINISH: TYPE 3R: ANSI 61 GRAY POLYESTER SEMI GLOSS ELECTROSTATIC POWDER.  
TYPE 3RX(R) - EXTERIOR CONSTRUCTED OF CODE GAUGE TYPE 304 STAINLESS STEEL.  
TYPE 3RX(S) - EXTERIOR CONSTRUCTED OF CODE GAUGE TYPE 316 STAINLESS STEEL
- DESIGNED FOR FRONT ACCESS
- RECOMMENDED CLEARANCES:  
FRONT: 38 INCHES
- A FULL RATED NEUTRAL CONNECTION FOR EACH SOURCE AND THE LOAD IS OPTIONAL. WHEN PROVIDED IT IS IN ONE OF THE FOLLOWING FORMATS AS SPECIFIED BY THE CATALOG NO. NEUTRAL TYPE;  
A. SOLID (COPPER BUS)  
B. SWITCH NEUTRAL POLE
- FOR SPECIFIED TRANSFER SWITCH, REFER TO OPERATOR'S MANUAL PROVIDED WITH UNIT.
- LIFTING PLATES: SECTIONS ARE SUPPLIED WITH LIFTING PLATES.  
INSPECT PLATES FOR DAMAGE AND TORQUE BOLTS TO 45 FT LBS BEFORE USE.  
REFER TO ANSI/NEMA PB 2.1 FOR PROPER HANDLING OF EQUIPMENT.  
AFTER INSTALLATION OF SECTION, REMOVE LIFTING PLATES.  
REINSTALL BOLTS INTO EXTERIOR HOLES AND TORQUE TO APROX. 20 FT LBS.
- CENTER OF GRAVITY.
- APPROXIMATE WEIGHT: 1250 LBS

### SPECIFICATIONS

- SYSTEM RATING: 600-1200 AMPS, 3 $\phi$ , 4W OR 1 $\phi$ , 3W.  
SHORT CIRCUIT RATING- 50,000 RMS SYM AMPERES @ 480V.
- NEUTRAL BUS: 100% RATED.
- GROUND BUS- 20% RATED.
- APPLICABLE LABELS: U.L. 1008.

### TERMINATIONS 600 AMPS

- SUPPLIED WITH MECHANICAL (SCREW TYPE) LUGS SUITABLE FOR CU/AL CABLE .  
SOURCE 1: (2) 1/0 AWG - 750MCM PER PHASE AND NEUTRAL  
SOURCE 2: (2) 1/0 AWG - 750MCM PER PHASE AND NEUTRAL  
LOAD: (2) 1/0 AWG - 750MCM PER PHASE AND NEUTRAL  
GROUND: (6) 1/0 AWG - 750 MCM  
SUITABLE WIRE BENDING SPACE IS PROVIDED AS PER THE NEC

### TERMINATIONS 800-1200 AMPS

- SUPPLIED WITH MECHANICAL (SCREW TYPE) LUGS SUITABLE FOR CU/AL CABLE .  
SOURCE 1: (4) 1/0 AWG - 750MCM PER PHASE AND NEUTRAL  
SOURCE 2: (4) 1/0 AWG - 750MCM PER PHASE AND NEUTRAL  
LOAD: (4) 1/0 AWG - 750MCM PER PHASE AND NEUTRAL  
GROUND: (12) 1/0 AWG - 750 MCM  
SUITABLE WIRE BENDING SPACE IS PROVIDED AS PER THE NEC

PROJECT NAME:		REV. TO SHEET	ECN NO.	BY	APP.	DATE
OUTLINE		MOUNTING				
HMTS 600-1200 AMPS						
TYPE 3R/3RX 96 X 37 X 39						
BY	DATE	MANUFACTURING TOLERANCES TO BE IN ACCORDANCE WITH ASCO PROCEDURE MP-1-003. FOR PLASTIC PARTS SEE MP-1-005		ASSEM. REF. NO.	COMPUTER GENERATED DRAWING	
DRAWN BY	LY	3/7/17			SCALE 1/16" = 1" SIZE	DS
CHECKED	RN		PROPERTY OF ASCO POWER TECHNOLOGIES. USE PERMITTED FOR OUR WORK ONLY. ALL RIGHTS OF DESIGN OR INVENTION ARE RESERVED.		DWG. NO.	
PROJECT APPROVAL					977100-003	
FINAL APPROVAL			ASCO® ASCO POWER TECHNOLOGIES, L.P. FLORHAM PARK, NEW JERSEY 07932 U.S.A.		DRAWING A	ECN NO. 270995 SHEET 1 OF 1